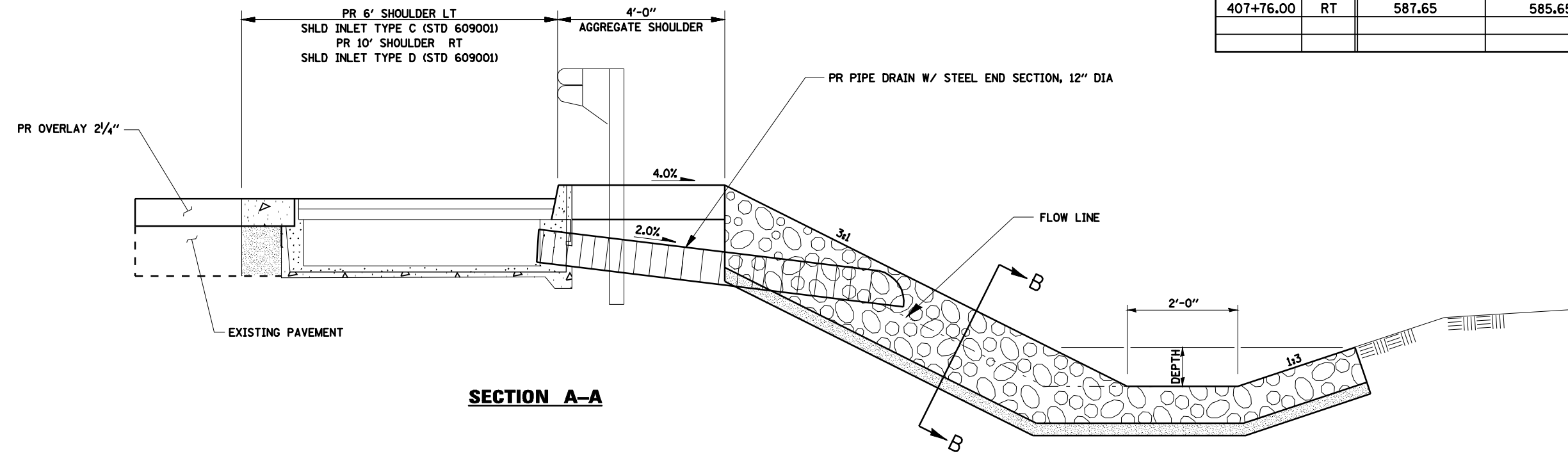
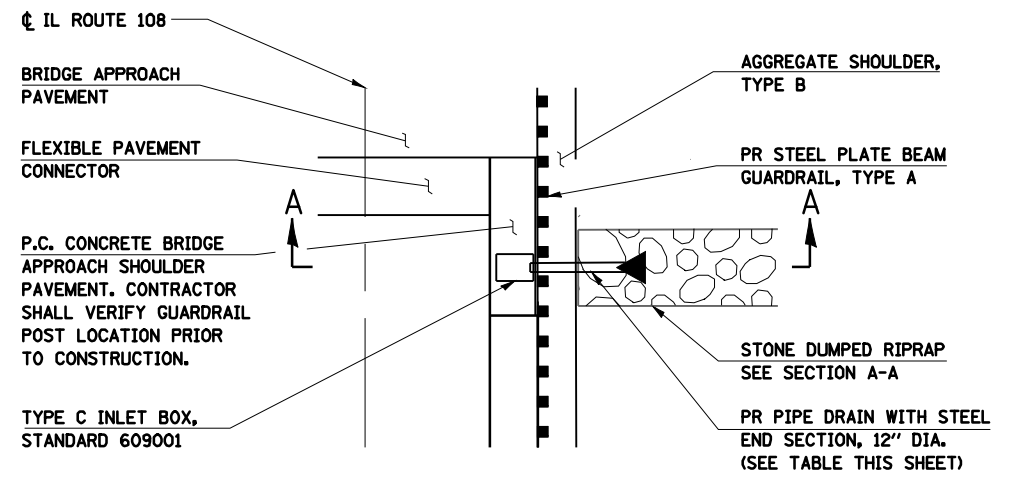


BRIDGE APPROACH SHOULDER DRAINS

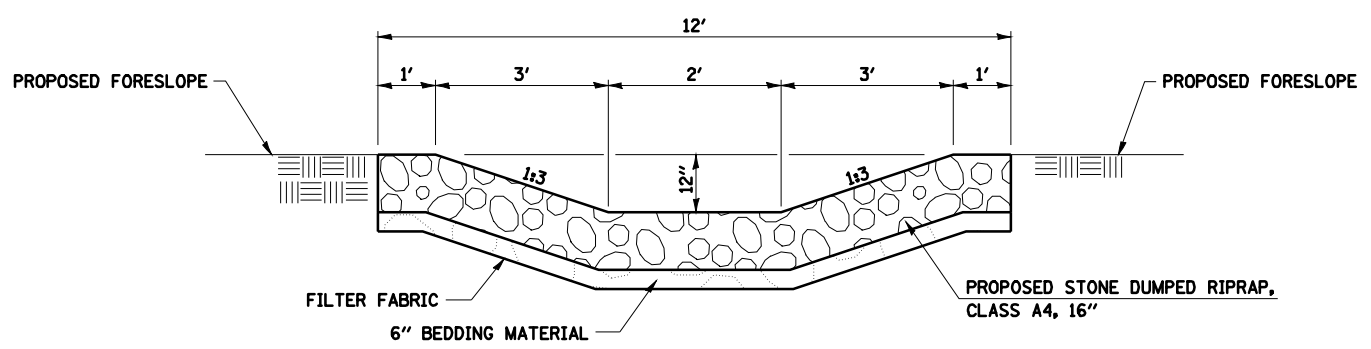
LOCATION	LT/RT	T.O.G. FLOW LINE	INLET INV.
407+34.50	LT	588.31	586.31
407+76.00	RT	587.65	585.65



SECTION A-A



PLAN



SECTION B-B

NOTE:
SEE STD 609001 FOR BRIDGE APPROACH SHOULDER DRAIN DETAILS IN ADDITION TO DETAILS ON THIS SHEET.