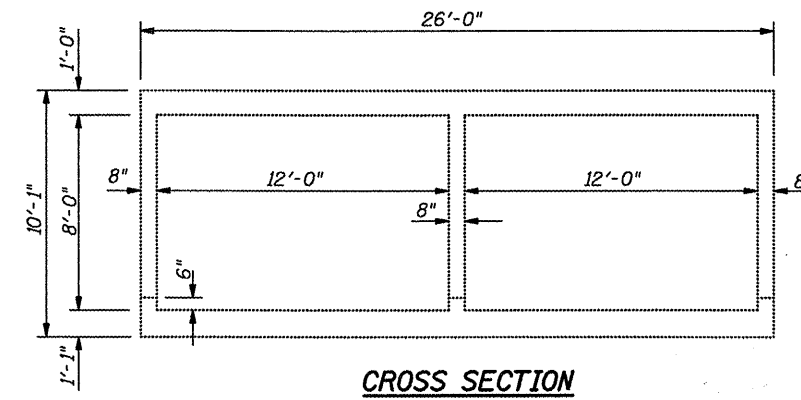
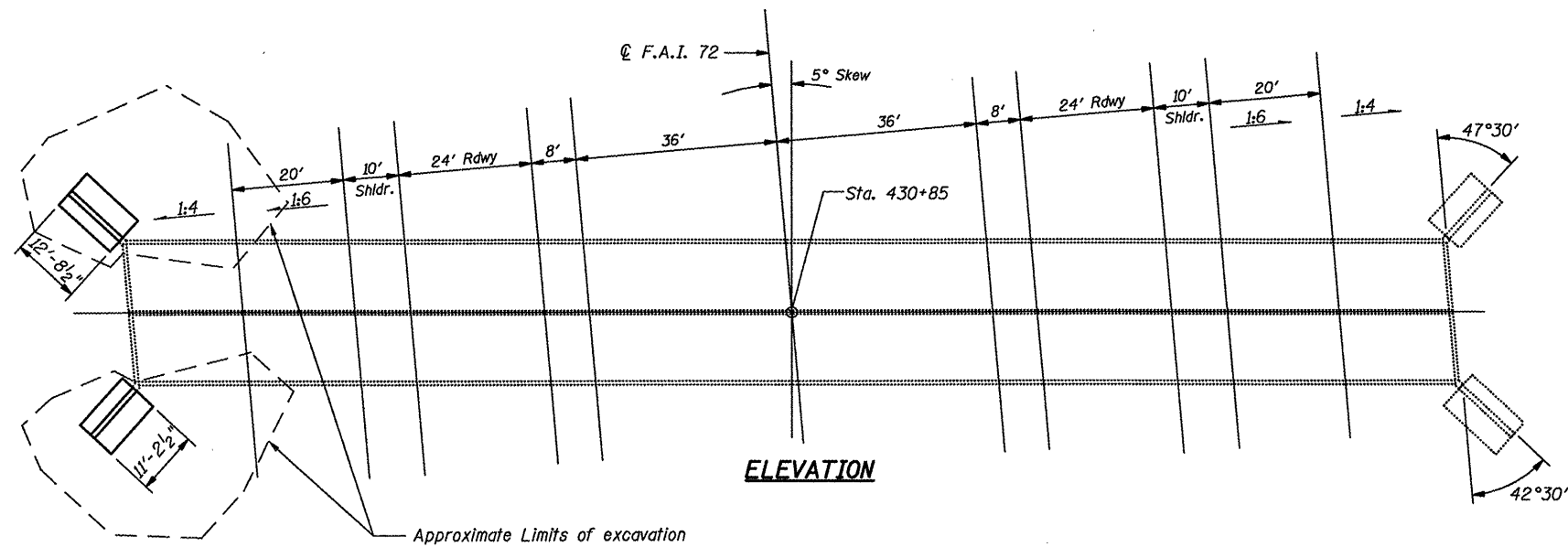


EXISTING STRUCTURE

The existing structure is a double 12' x 8' box culvert constructed on a 5.0-degree skew. The box culvert has an end to end barrel length of 237.75'. The wingwalls are a T-type vertical cantilever wingwall with a steel H pile-supported footing.

STATE OF ILLINOIS
DEPARTMENT OF TRANSPORTATION



DESIGN SPECIFICATIONS
2002 AASHTO Standard Specifications - 17th ed.

LOADING HS20-44

DESIGN STRESS

Cast-in-Place Unit
f'c = 3500 psi
f's = 60,000 psi
n = 9

PROPOSED WORK

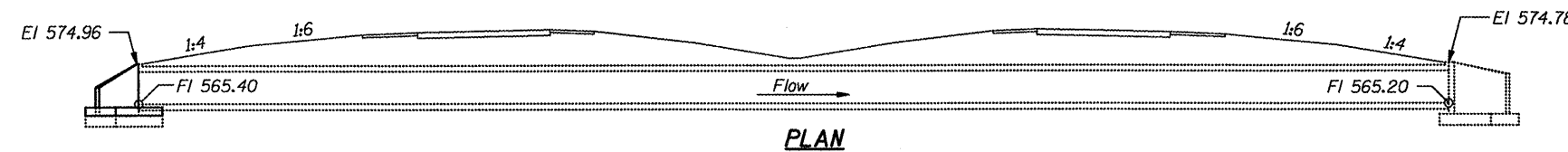
1. Remove and replace NE & NW wingwalls.

EXISTING PILE DATA

STEEL PILES: HP 10x42
20 TON CAPACITY
EST. LENGTH - 18' NORTH W.W.
13' SOUTH W.W.
NUMBER REQ'D 24 (6 PER W.W.)

INDEX OF SHEETS

- General Plan
- Wingwall Detail

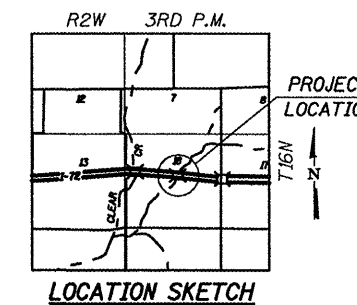
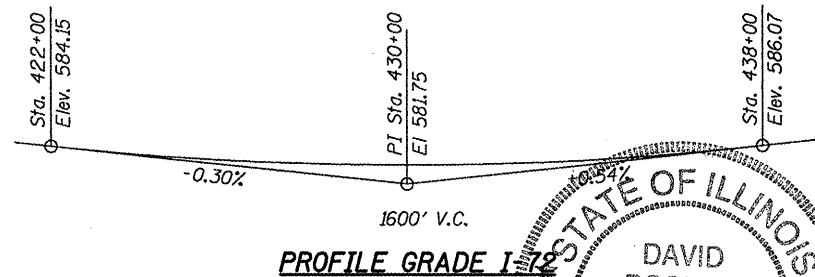


GENERAL NOTES

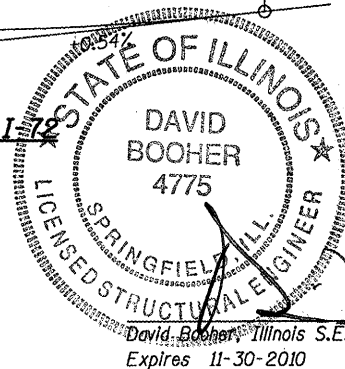
Reinforcement bars shall conform to the requirements of ASTM A 706 Gr 60. See Special Provisions

Reinforcement bars designated (E) shall be epoxy coated.

Plan dimensions and details relative to existing plans are subject to routine variations. The Contractor shall field verify existing dimensions and details affecting new construction and make necessary approved adjustments prior to construction or ordering of materials. Such variations shall not be cause for additional compensation for a change in scope of the work, however, the Contractor will be paid for the quantity actually furnished based upon the unit price bid for the work.



GENERAL PLAN
F.A.I. RTE. 72 OVER
CLEAR CREEK TRIBUTARY
F.A.I. 72 SECTION (84-10-3) RS-4
SANGAMON COUNTY
STATION 430+85.00
S.N. 084-2006



David Booher, Illinois S.E. 081-004775
Expires 11-30-2010

2-19-2010
Date

DESIGNED	SCD
CHECKED	DRB
DRAWN	THW
CHECKED	-

ie consultants
IE CONSULTANTS, INC
6420 SOUTH SIXTH STREET
SPRINGFIELD, ILLINOIS 62712
TEL. (217) 529-8027
FAX (217) 529-4543
IESPRINGFIELD@IE-CONSULTANTS.COM
WWW.IE-CONSULTANTS.COM

SHEET NO. 1 OF 2 SHEETS	F.A.I. RTE.	SECTION	COUNTY	TOTAL SHEETS	SHEET NO.
	72	(84-10-2) RS-3, (84-10-3) RS-4	SANGAMON	61	51
			CONTRACT NO. 72910		
FED. ROAD DIST. NO. 2 ILLINOIS FED. AID PROJECT					