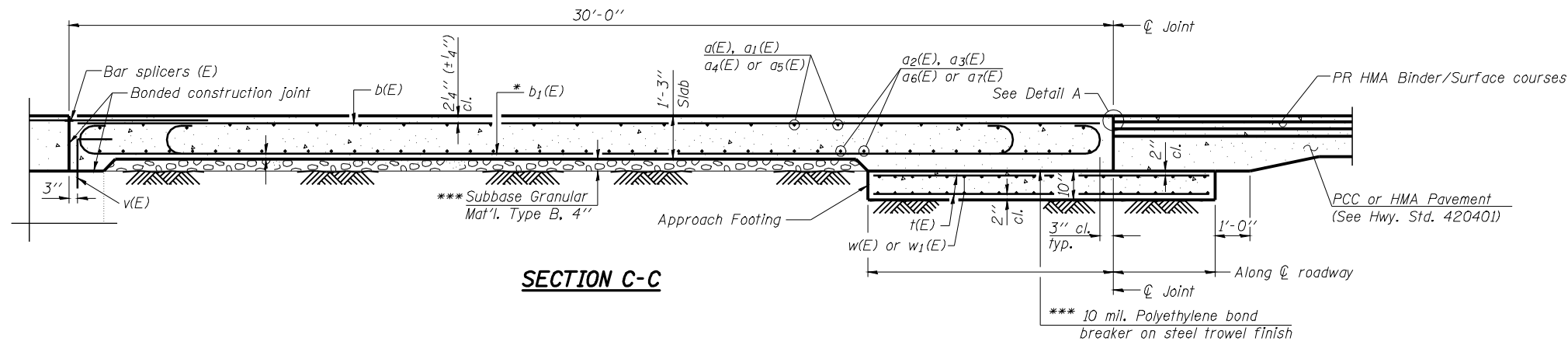
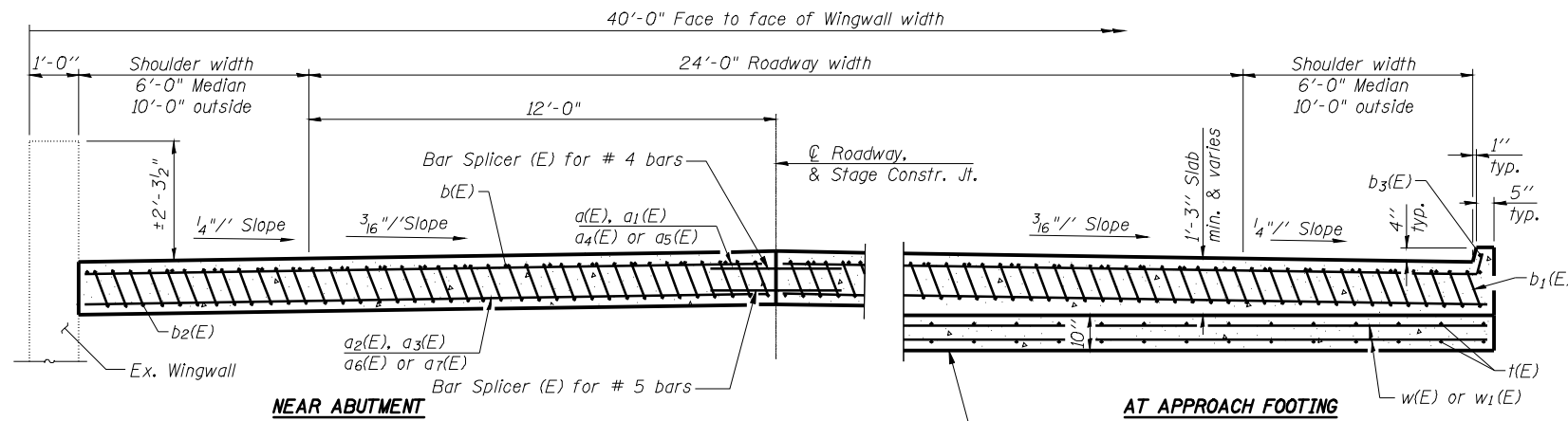


STATE OF ILLINOIS
DEPARTMENT OF TRANSPORTATION

Notes:
See sheet 5 of 7 for Detail A and View B-B.
Approach slab and parapet concrete shall be paid for as Concrete Superstructure.
Approach footing concrete shall be paid for as Concrete Structures.
Reinforcement shall be paid for as Reinforcement Bars, Epoxy Coated.
The approach footing maximum applied service bearing pressure (Q_{max}) = 2.0 ksf.
For bar splicer details, see sheet 7 of 7.
Cost of excavation for approach footing included with Concrete Structures.



SECTION C-C



NEAR ABUTMENT

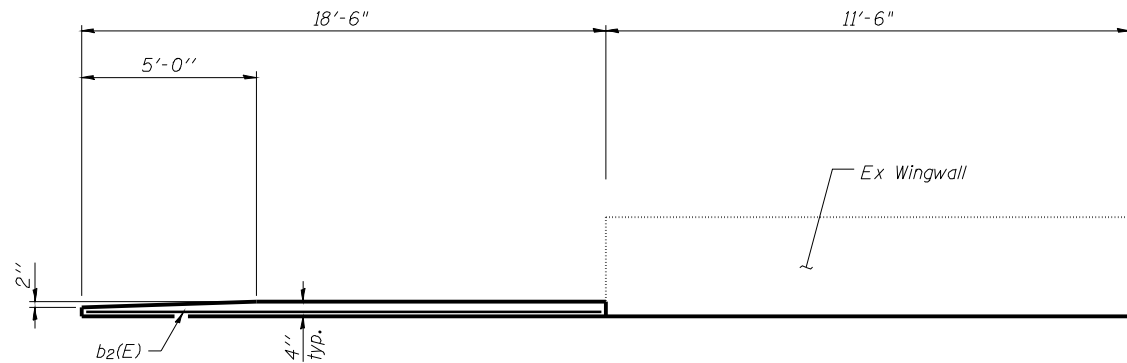
SECTION D-D

(See Plan for dimensions not shown)

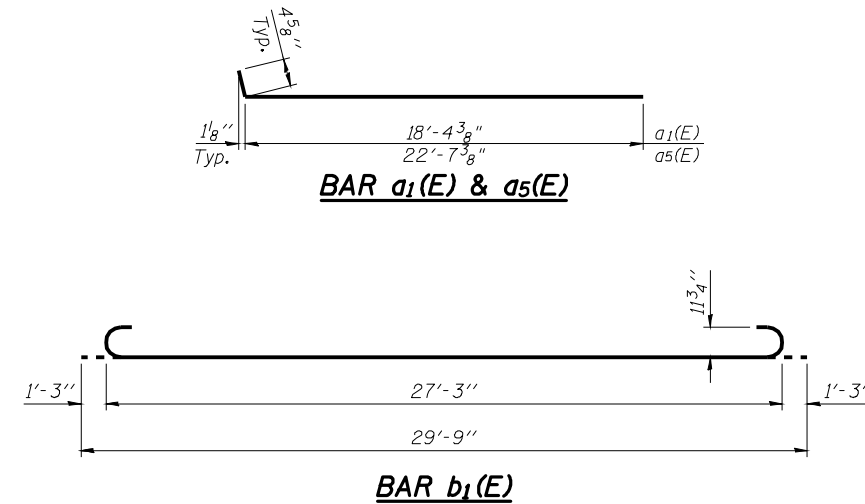
AT APPROACH FOOTING

W. Appr. W.B. Elev. 586.40
W. Appr. E.B. Elev. 586.81
E. Appr. W.B. Elev. 588.52
E. Appr. E.B. Elev. 588.40
(Level out to out)

* Tilt #9 b₁(E) bars as required to maintain clearance.
*** Cost included with Concrete Superstructure.



VIEW E-E



FOUR APPROACHES
BILL OF MATERIAL

Bar	No.	Size	Length	Shape
a ₁ (E)	40	#4	18'-0"	—
a ₁ (E)	60	#4	18'-9"	—
a ₂ (E)	72	#5	18'-0"	—
a ₃ (E)	112	#5	18'-6"	—
a ₄ (E)	40	#4	22'-3"	—
a ₅ (E)	60	#4	23'-0"	—
a ₆ (E)	72	#5	22'-3"	—
a ₇ (E)	112	#5	22'-10"	—
b(E)	132	#4	29'-8"	—
b ₁ (E)	372	#9	29'-9"	—
b ₂ (E)	8	#4	18'-0"	—
t(E)	336	#4	10'-4"	—
w(E)	160	#5	18'-6"	—
w ₁ (E)	160	#5	22'-10"	—
Concrete Superstructure				Cu. Yd. 246.4
Concrete Structures				Cu. Yd. 57.1
Reinforcement Bars, Epoxy Coated				Pound 60,160

BRIDGE APPROACH SLAB DETAILS
S.N. 084-0157 (W.B.) & 084-0158 (E.B.)
(Sheet 2 of 2)

DESIGNED	SCD
CHECKED	DRB
DRAWN	THW
CHECKED	-

BA-L

11-1-09



IE CONSULTANTS, INC
6420 SOUTH SIXTH STREET
SPRINGFIELD, ILLINOIS 62712
TEL. (217) 529-8027
FAX (217) 529-4543
IESPRINGFIELD@IE-CONSULTANTS.COM
WWW.IE-CONSULTANTS.COM

SHEET NO. 6 OF 7 SHEETS	F.A.I. RTE.	SECTION	COUNTY	TOTAL SHEETS	SHEET NO.
	72	(84-10-2) RS-3, (84-10-3) RS-4	SANGAMON	61	58
CONTRACT NO. 72910					
FED. ROAD DIST. NO. 2 ILLINOIS FED. AID PROJECT					