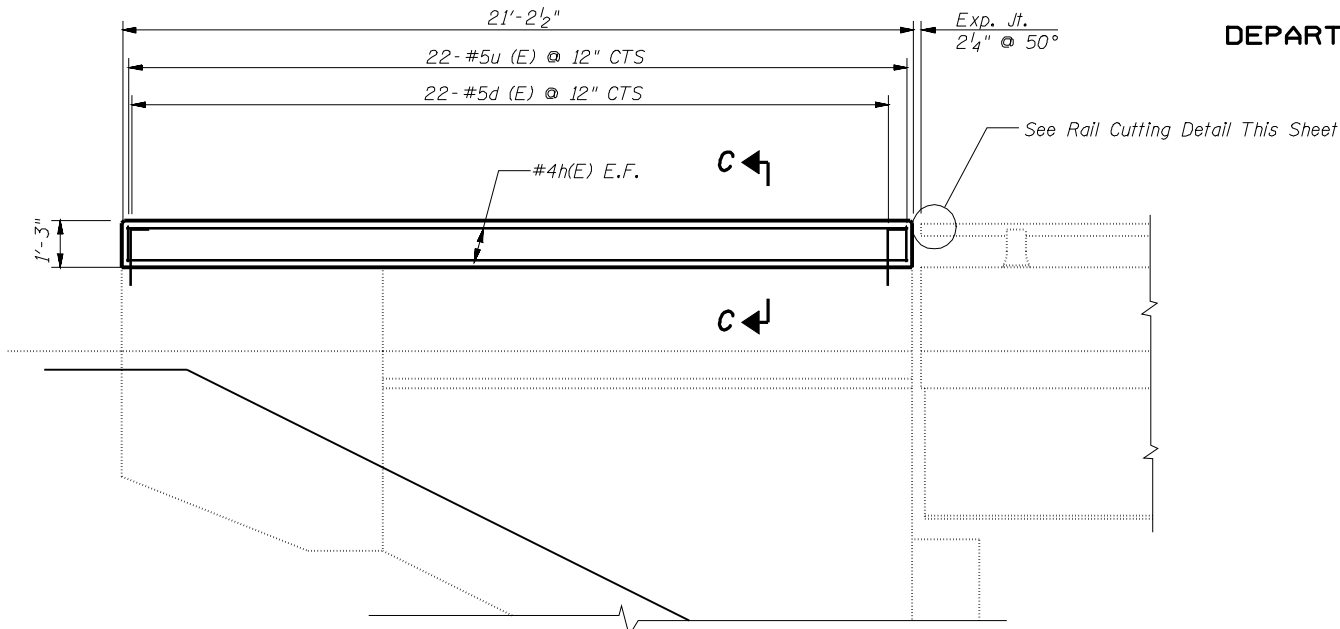
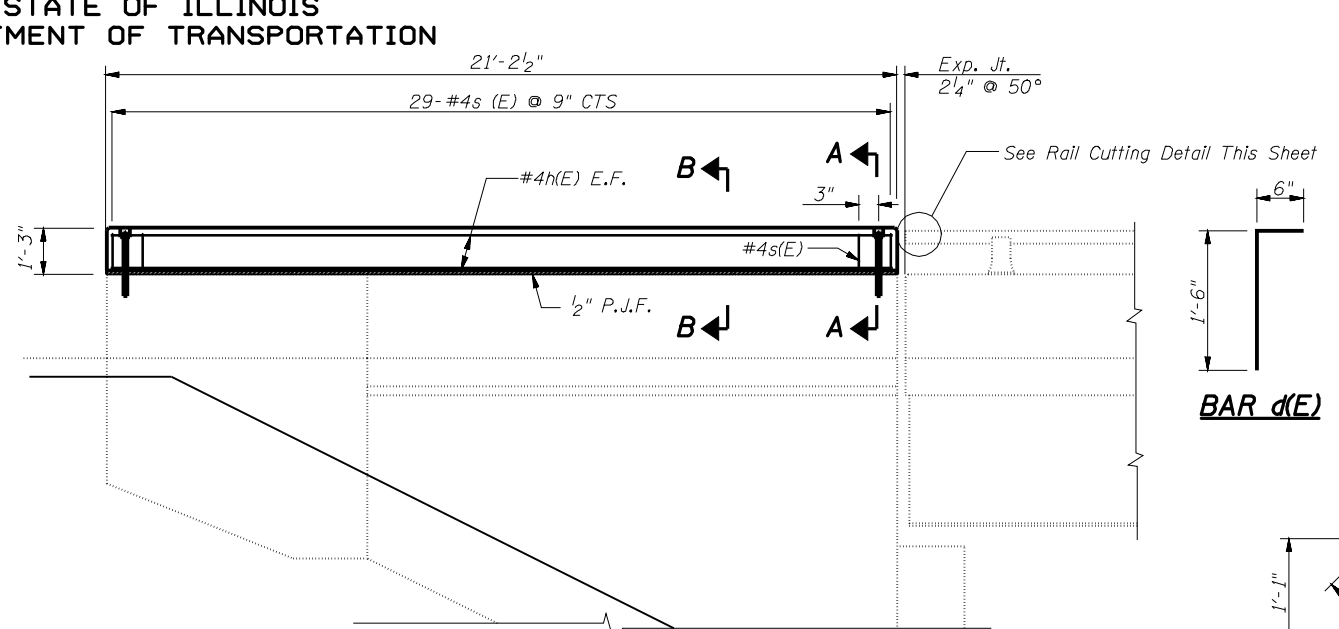


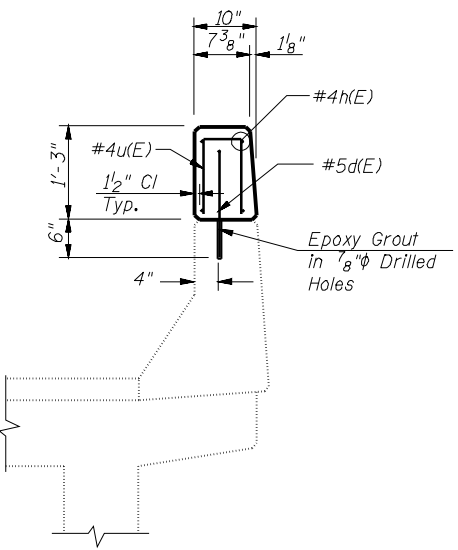
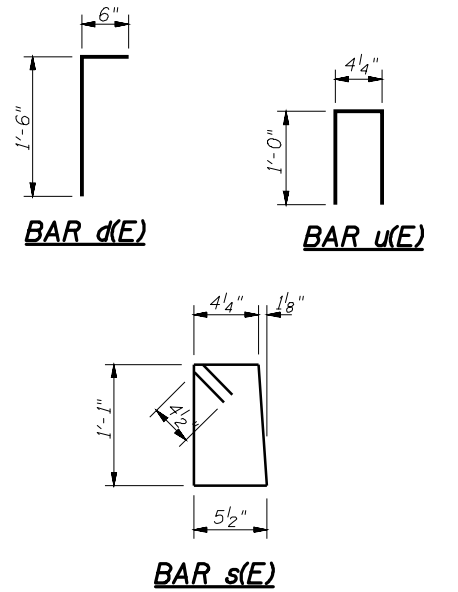
STATE OF ILLINOIS
DEPARTMENT OF TRANSPORTATION



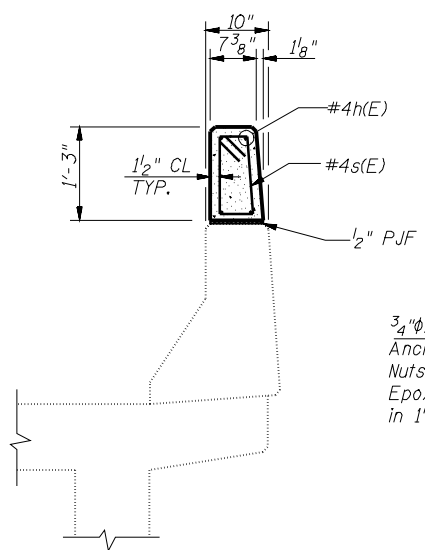
**PARAPET ELEVATION
CAST-IN-PLACE ALTERNATE**
(TYPICAL ALL 4 CORNERS)



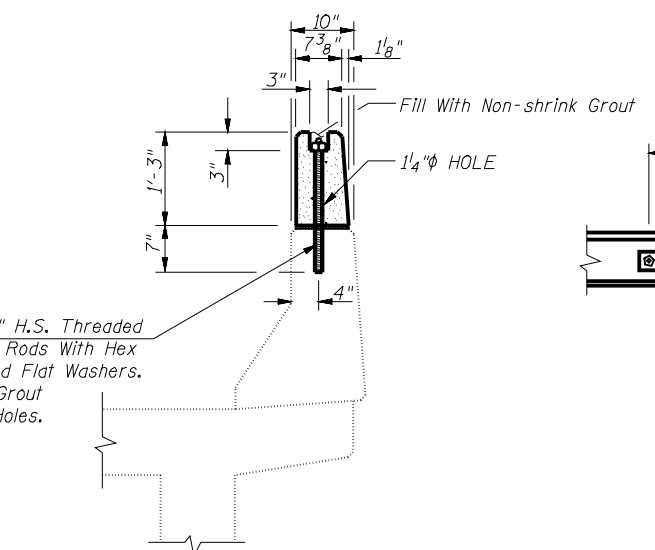
**PARAPET ELEVATION
PRECAST ALTERNATE**
(TYPICAL ALL 4 CORNERS)



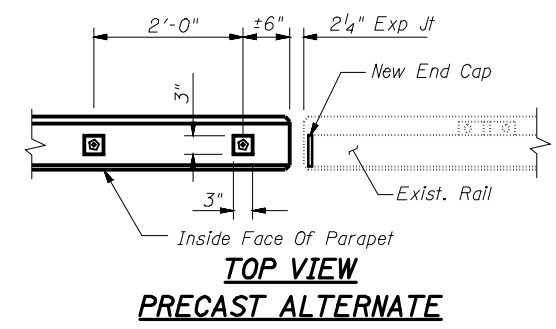
SECTION C-C



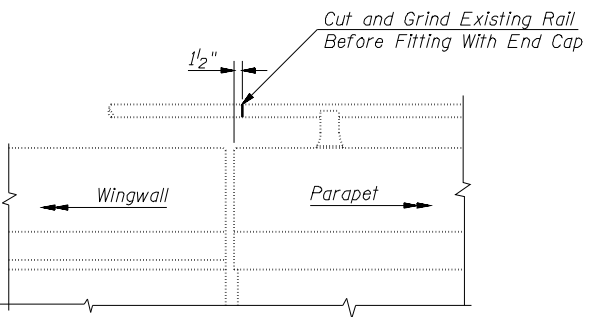
**SECTION B-B
(SHOWING REINFORCEMENT)**



**SECTION A-A
(SHOWING ATTACHMENT)**



**TOP VIEW
PRECAST ALTERNATE**



**RAIL CUTTING DETAIL
(TYPICAL ALL CORNERS)**

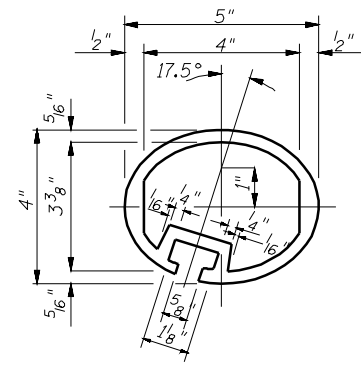
**CAST ALUMINUM END CAP
(4 REQUIRED)**

IE CONSULTANTS, INC.
6420 SOUTH SIXTH STREET
SPRINGFIELD, ILLINOIS 62712
TEL. (217) 529-8027
FAX (217) 529-4543
IESPRINGFIELD@IE-CONSULTANTS.COM
WWW.IE-CONSULTANTS.COM



DESIGNED	SCD
CHECKED	DRB
DRAWN	THW
CHECKED	-

**SECTION THRU EXISTING
ELLIPTICAL RAIL**



BILL OF MATERIALS

ITEM	UNIT	QUANTITY
RETROFIT CONCRETE PARAPET	FOOT	85
HANDRAIL MODIFICATION	L SUM	1

GENERAL NOTES

Class PC Concrete shall be used for the Precast Alternate and Class BS Concrete shall be used for the Cast-In Place Alternate.

All Exposed edges shall be Chamfered 3/4".

Class PC Concrete, Class BS Concrete, Reinforcement Bars (E), Threaded Anchor Rods, 1/2" P.J.F. and all other accessories needed for installation and Erection will be paid for at the Unit Price Per Lineal Foot for Retrofit Concrete Parapet.

Threaded Anchor Rods, Dowel Bars, Adhesive & other accessories needed for installation will be paid for at the Unit Price per each for Drill and Grout Dowel Bars.

The Contractor shall use the Capsule or the Adhesive Cartridge Type Anchor Rods that have been previously tested and given a Prior Approval by the Department. The Contractor shall install these Anchor Rods in Pre-Drilled Holes in accordance with the Manufacturer's Recommendations and Procedures.

The Capsule or the Adhesive Cartridge shall be a Sealed Glass Capsule or a Sealed Glass Adhesive Cartridge containing a premeasured amount of Adhesive Chemical. The Threaded Rod Stud with Nut and Washers shall conform to ASTM A-307.

The existing 3/4" and 1" Weld Studs shall be Burned, Sawed or Chipped Off Flush with the Top of Existing Parapet.

Holes for the Dowel Rods shall miss Existing Parapet Joints.

**RETROFIT CONCRETE PARAPET DETAILS
STRUCTURE NO. 084-0159**

SHEET NO.	F.A.I. RTE.	SECTION	COUNTY	TOTAL SHEETS	SHEET NO.
2 OF 2 SHEETS	72	(84-10-2) RS-3, (84-10-3) RS-4	SANGAMON	61	61
CONTRACT NO. 72910					
FED. ROAD DIST. NO. 2 ILLINOIS FED. AID PROJECT					