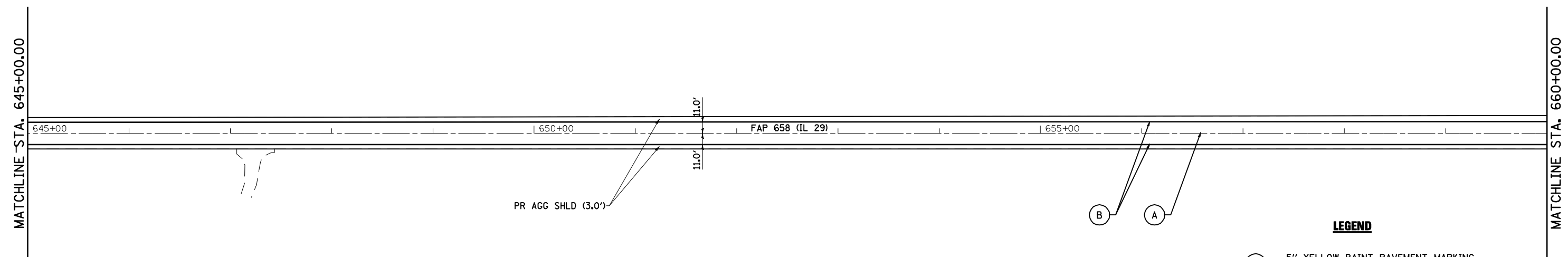
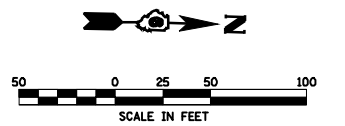


- LEGEND**
- (A) 5" YELLOW PAINT PAVEMENT MARKING  
SEE SCHEDULE FOR PASSING ZONES
  - (B) LINE 5" SOLID WHITE  
PAINT PAVEMENT MARKING



- LEGEND**
- (A) 5" YELLOW PAINT PAVEMENT MARKING  
SEE SCHEDULE FOR PASSING ZONES
  - (B) LINE 5" SOLID WHITE  
PAINT PAVEMENT MARKING

FILE NAME =	USER NAME = laughlinr1	DESIGNED -	REVISED -
er:\pwork\PIWIDOT\LAUGHLINRL\dms26774\672445-SHT-plan1.dgn		DRAWN -	REVISED -
PLOT SCALE = 100.0000' / IN.		CHECKED -	REVISED -
PLOT DATE = Feb-03-2010 08:54:45AM		DATE -	REVISED -

**STATE OF ILLINOIS  
DEPARTMENT OF TRANSPORTATION**

<b>FAP 658 (IL 29) PLAN SHEET</b>			
SCALE:	SHEET NO.	OF SHEETS	STA. TO STA.

F.A.P. RTE.	SECTION	COUNTY	TOTAL SHEETS	SHEET NO.
658	HRS-1), GRS-5)	MASON	15	12
CONTRACT NO. 72A45				
ILLINOIS FED. AID PROJECT				