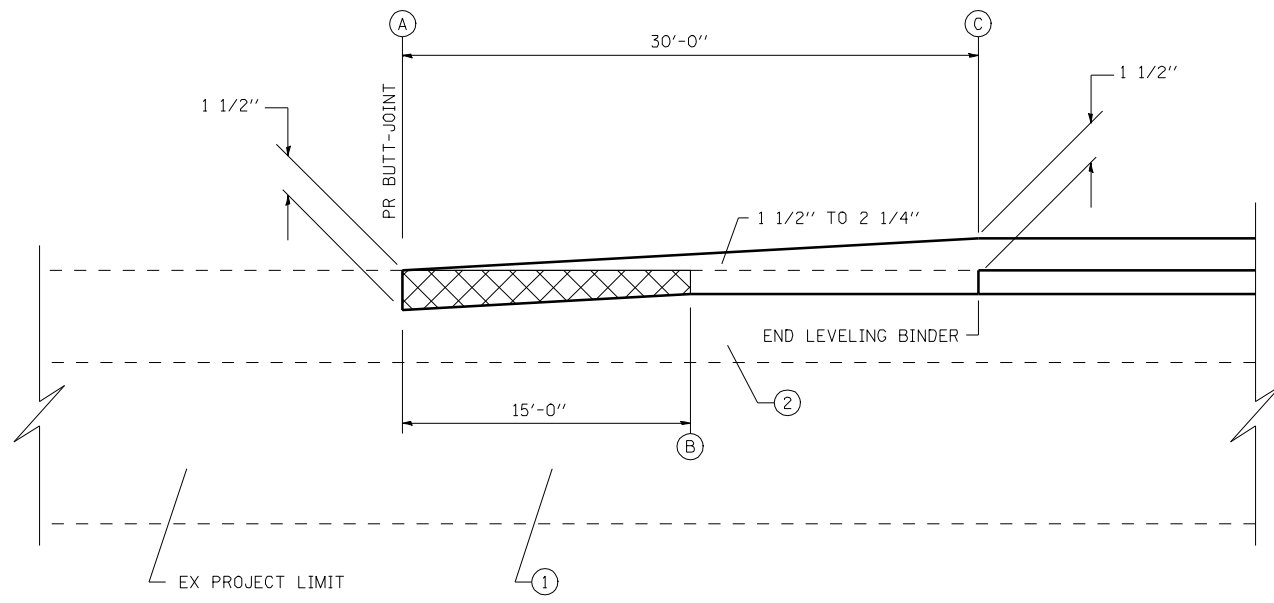
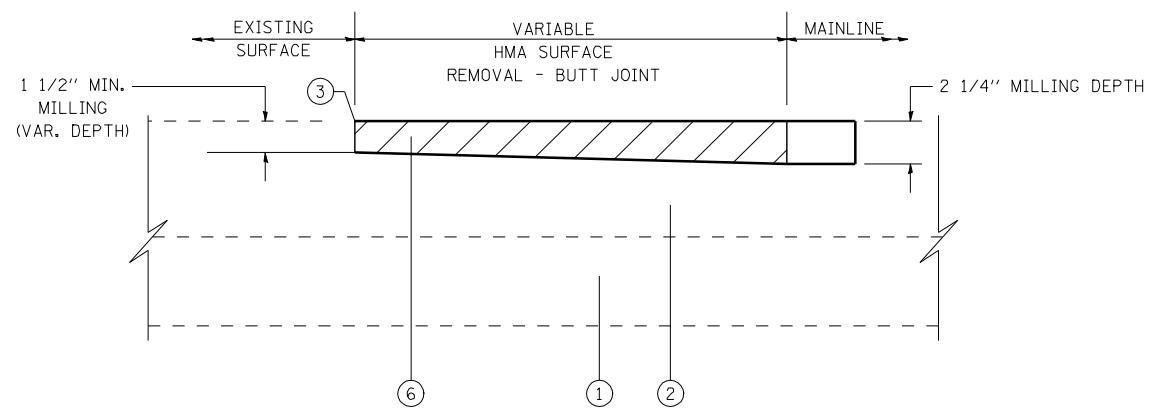


BUTT-JOINT "A" DETAIL  
MAINLINE



BUTT-JOINT "C" DETAIL



BUTT-JOINT "B" DETAIL  
URBAN SIDEROADS

BUTT JOINT LOCATION MAINLINE	TYPE (A, B, C)
STA 0+82 TO 0+97	C
STA 33+02 TO 33+17	C
STA 35+07 TO 35+22	C
STA 124+55 TO 124+70	A
STA 141+60 TO 141+75	A
STA 201+51 TO 201+66	C

LEGEND

- DENOTES HMA SURFACE REMOVAL
- ① EXISTING PCC PAVEMENT
- ② EXISTING HMA
- ②A EXISTING LEVEL BINDER
- ②B EXISTING HMA SURFACE CSE
- ③ PROPOSED SAW CUT (INCLUDED IN COST OF HMA SURF. REMOVAL)
- ④ PROPOSED HMA SURFACE REMOVAL, VARIABLE DEPTH 3/4"
- ⑤ PROPOSED LEVEL BINDER (MACH. METH.) N50, VAR. DEPTH 3/4"
- ⑥ PROPOSED INCIDENTAL HMA SURFACING
- ⑦ PROPOSED SURFACE CSE. MIX "C" N50, 1 1/2"

FILE NAME =	USER NAME = laughlinr1	DESIGNED -	REVISED -
er:\pwork\pwidot\LAUGHLINRL\0118526\0672C34-sht-details.dgn		DRAWN -	REVISED -
PLOT SCALE = 100.0000' / IN.		CHECKED -	REVISED -
PLOT DATE = Feb-09-2010 09:33:01AM		DATE -	REVISED -

STATE OF ILLINOIS  
DEPARTMENT OF TRANSPORTATION

BUTT JOINT DETAIL

SCALE:	SHEET NO.	OF SHEETS	STA.	TO STA.
--------	-----------	-----------	------	---------

F.A.P. RTE.	SECTION	COUNTY	TOTAL SHEETS	SHEET NO.
566	(121, INRHMRS-3	SCOTT	35	35
CONTRACT NO. 72C34				
ILLINOIS FED. AID PROJECT				