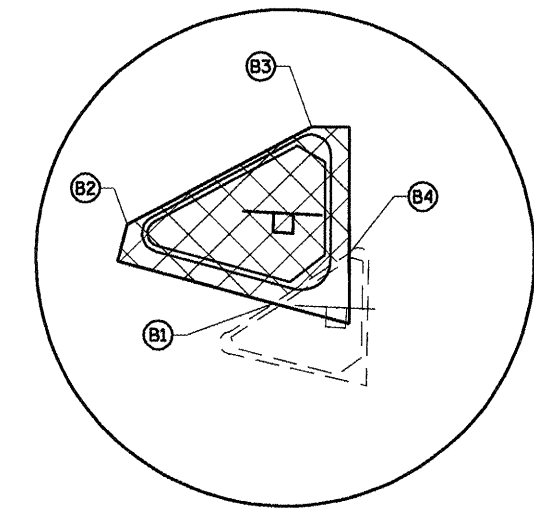
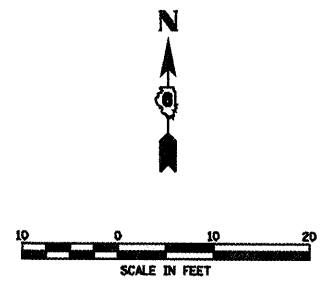


LEGEND

ALL STA./OFFSETS ARE OFF OF FAP 67 (IL 125) ALIGNMENT

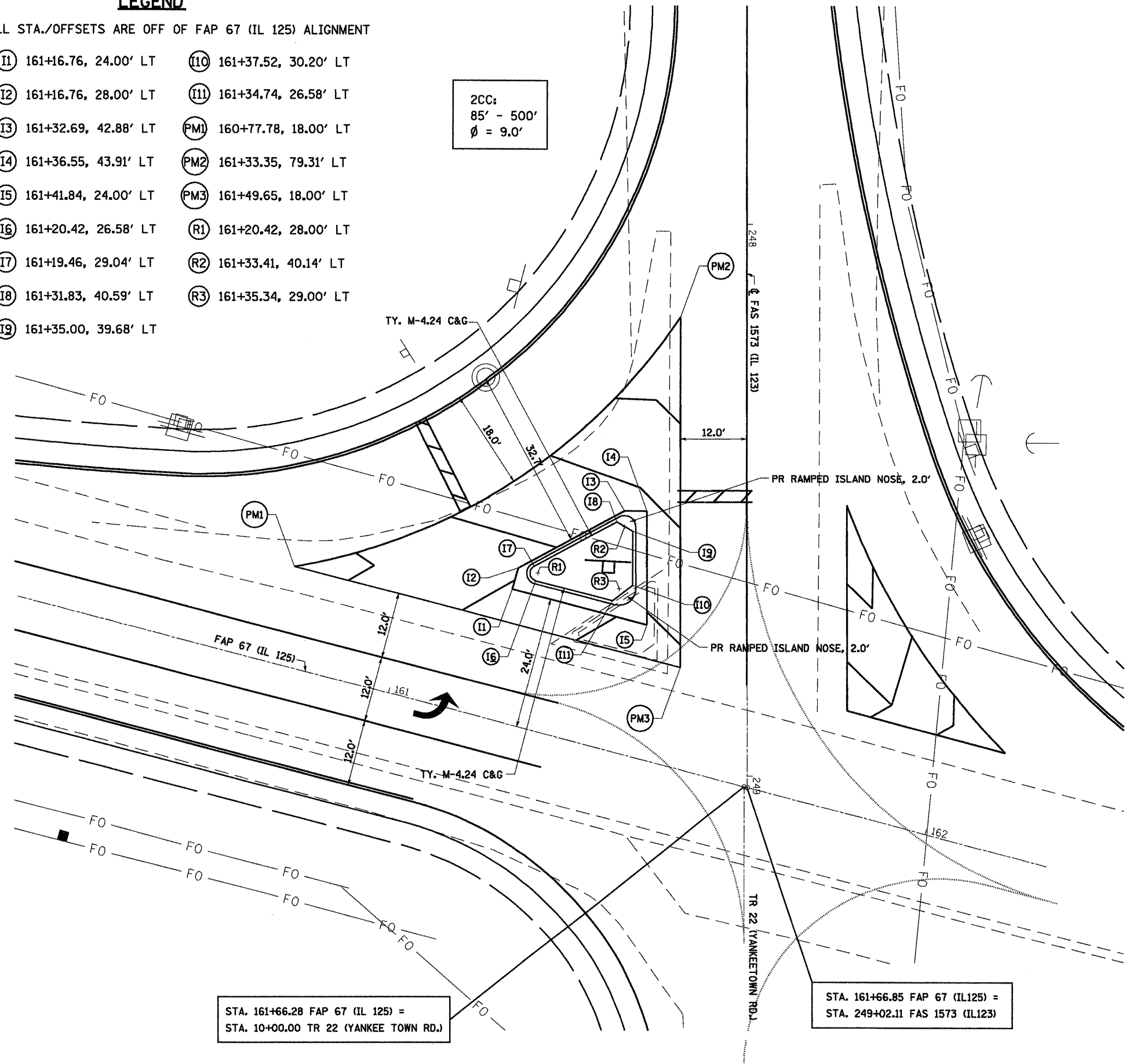
- (I1) 161+16.76, 24.00' LT (I10) 161+37.52, 30.20' LT
- (I2) 161+16.76, 28.00' LT (I11) 161+34.74, 26.58' LT
- (I3) 161+32.69, 42.88' LT (PM1) 160+77.78, 18.00' LT
- (I4) 161+36.55, 43.91' LT (PM2) 161+33.35, 79.31' LT
- (I5) 161+41.84, 24.00' LT (PM3) 161+49.65, 18.00' LT
- (I6) 161+20.42, 26.58' LT (R1) 161+20.42, 28.00' LT
- (I7) 161+19.46, 29.04' LT (R2) 161+33.41, 40.14' LT
- (I8) 161+31.83, 40.59' LT (R3) 161+35.34, 29.00' LT
- (I9) 161+35.00, 39.68' LT

2CC:
85' - 500'
φ = 9.0'



BITUMINOUS PAVEMENT REMOVAL

- (B1) 161+32.88, 24.00' LT (B4) 161+39.77, 31.81' LT
 - (B2) 161+16.76, 28.00' LT
 - (B3) 161+32.69, 42.88' LT
- BITUMINOUS REMOVAL
(274.82 SQ FT)



STA. 161+66.28 FAP 67 (IL 125) =
STA. 10+00.00 TR 22 (YANKEE TOWN RD.)

STA. 161+66.85 FAP 67 (IL125) =
STA. 249+02.11 FAS 1573 (IL123)

FILE NAME =	USER NAME = coxto	DESIGNED -	REVISED -	STATE OF ILLINOIS DEPARTMENT OF TRANSPORTATION	ISLAND DETAIL FAP 67 (IL 125) & FAS 1573 (IL 123)	F.A.P. RTE. 67	SECTION 105(IRS-6) 106(IRS-4)	COUNTY *	TOTAL SHEETS 88	SHEET NO. 51		
α:\pwork\PWIDOT\COXTE\dms22819\0872C9\rahtal\iddet01.dgn	PLOT SCALE = 20,0000' / IN.	DRAWN -	REVISED -			SCALE: 1" = 10'	SHEET NO. OF SHEETS	STA.	TO STA.	CONTRACT NO. 72C49		
PLOT DATE = Dec-18-2009 04:49:39PM	DATE -	CHECKED -	REVISED -			ILLINOIS FED. AID PROJECT						
* CASS. SANGAMON												