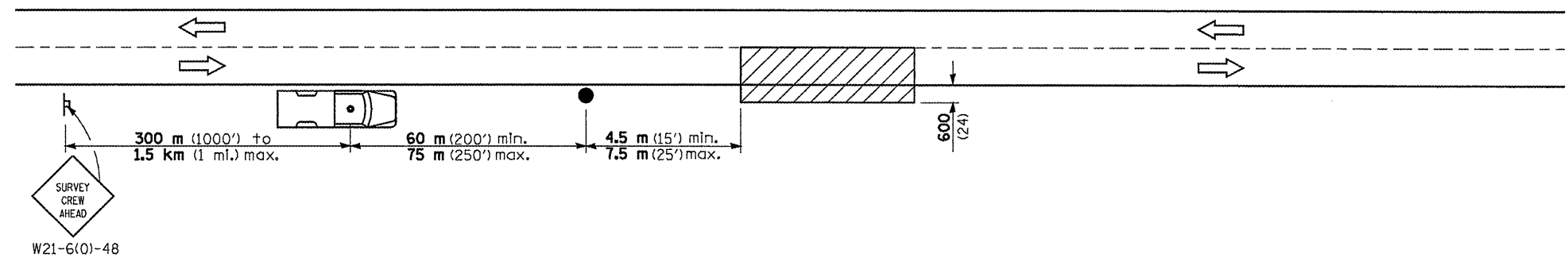
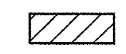


~~★ PAGE 69 WAS DELETED ★~~



W21-6(0)-48

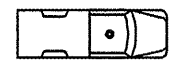
SYMBOLS



Work area



Sign on portable or permanent support



Truck with flashing amber light and dual emergency flashers



Flagger with traffic control sign

TYPICAL APPLICATIONS

Utility operations

All dimensions are in millimeters (Inches) unless otherwise shown.

DATE	REVISIONS

DETAIL FOR NIGHTTIME LIGHTING INSPECTION

LGT017.M32

FILE NAME =	USER NAME = coxte	DESIGNED -	REVISED -
es\pw\work\PWIDOT\COXTE\ma84394\ahh-1\ht.dgn		DRAWN - RTS	REVISED -
PLOT SCALE = 48.0000' / IN.		CHECKED -	REVISED -
PLOT DATE = Dec-18-2009 04:58:24PM		DATE - 12-09-09	REVISED -

**STATE OF ILLINOIS
DEPARTMENT OF TRANSPORTATION**

INTERSECTION LIGHTING DETAILS			
SCALE: 1" = 20'	SHEET NO. 8 OF 9 SHEETS	STA. .	TO STA. .

F.A.P. RTE.	SECTION	COUNTY	TOTAL SHEETS	SHEET NO.
67	105(RS-6) 106(RS-4)	*	88	70
CONTRACT NO. 72C49			ILLINOIS FED. AID PROJECT	