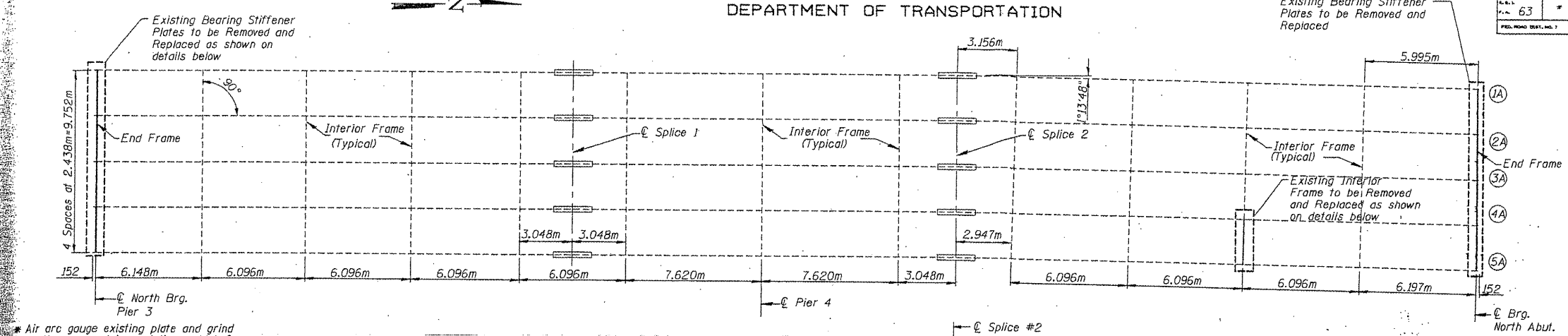


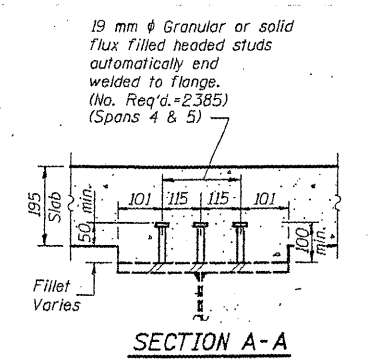
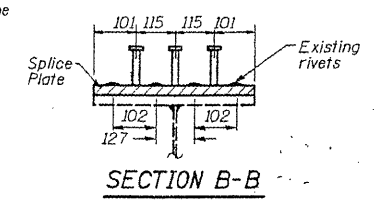
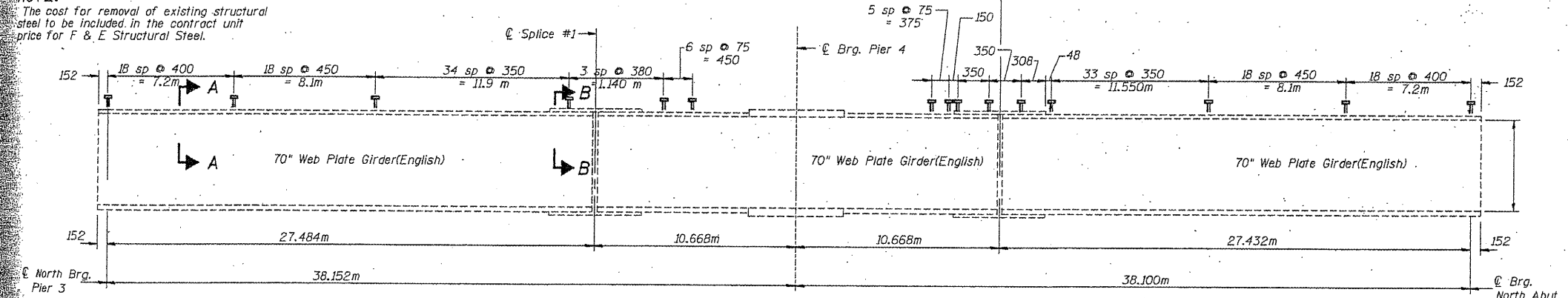
STATE OF ILLINOIS  
DEPARTMENT OF TRANSPORTATION

ROUTE NO.	SECTION	DATE	SHEET	SHEET NO.
63	ADAMS	211	117	29 SHEETS
PROJECT NO. (78-3VHB)R				



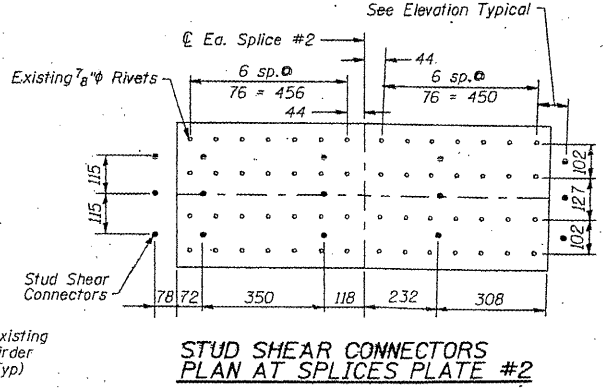
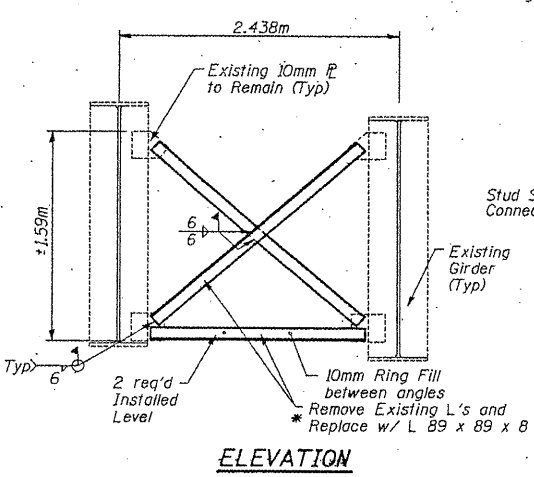
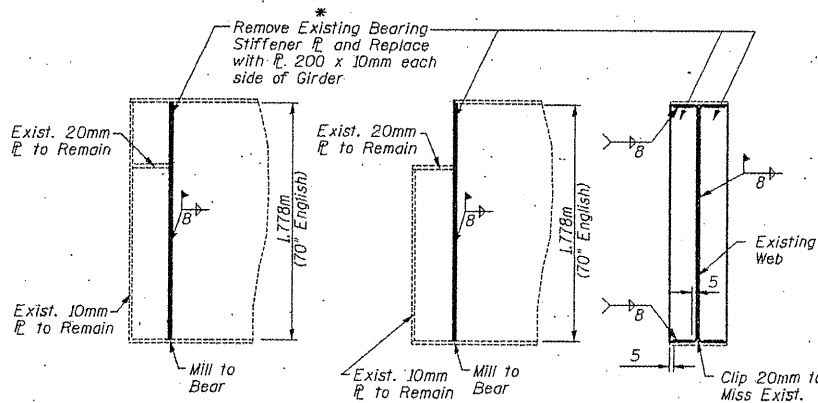
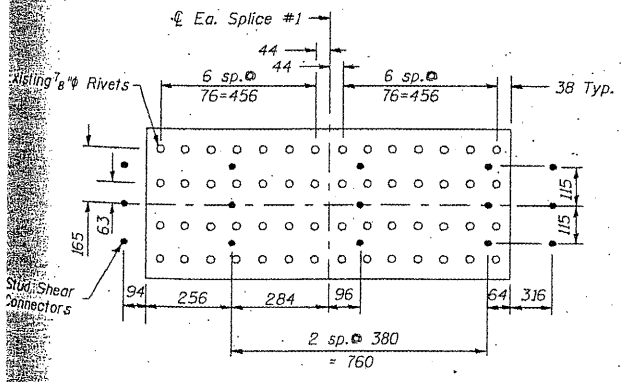
\* All arc gauge existing plate and grind smooth any remaining existing weld before welding on New plate.

NOTE:  
The cost for removal of existing structural steel to be included in the contract unit price for F & E Structural Steel.



Item	Unit	Total
F & E Structural Steel	kg	734

TYPICAL ELEVATION  
All Beams



STRUCTURAL STEEL DETAILS  
SPANS 4 & 5  
F.A.P. RTE 63 US RTE 24/N. 3RD ST.  
OVER CEDAR CREEK  
B. N. RAILROAD AND PARK ROAD  
SECTION (78-3VHB)R  
ADAMS COUNTY  
STA. 3+283.664  
STRUCTURE NO. 001-0011

FOR INFORMATION ONLY

EXISTING PLANS, SN 001-0011  
FAP 63 (US 24) & 310 (IL 104)  
D6REHAB BDGE PAINTING 2010-1  
ADAMS & MORGAN COUNTIES