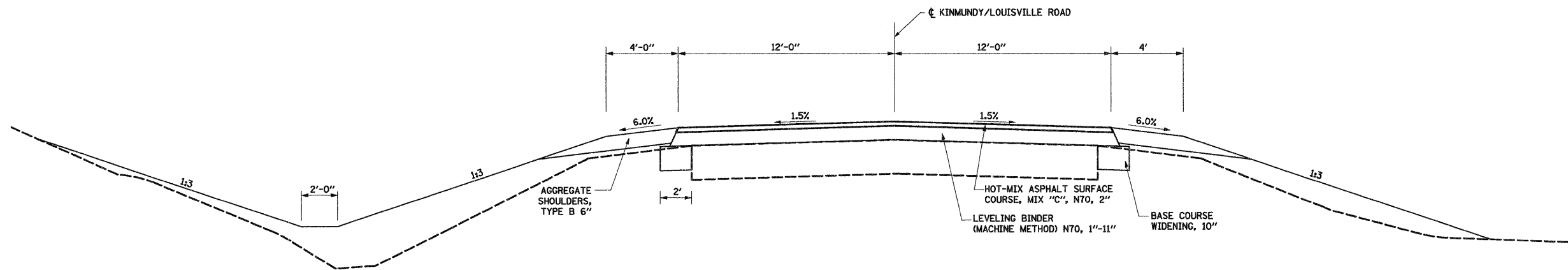


PROPOSED TYPICAL SECTION

STA 465+00.00 TO STA 466+49.70
 STA 486+78.00 TO STA 487+50.00



PROPOSED TYPICAL SECTION

STA 466+49.70 TO STA 468+23.83
 STA 485+21.07 TO STA 486+78.00

FILE NAME	USER NAME= paul	DESIGNED - JLS	REVISED -	STATE OF ILLINOIS DEPARTMENT OF TRANSPORTATION	TYPICAL SECTIONS, KINMUNDY/LOUISVILLE ROAD	F.A.S. RTE. 2703	SECTION (9-VBR)B	COUNTY CLAY	TOTAL SHEETS 65	SHEET NO. 5	
S:\projects\407-0008 CBD Dist 7 Various\NO 2 Kinmundy over 1089.dgn	S:\projects\407-0008 CBD Dist 7 Various\NO 2 Kinmundy over 1089.dgn	DRAWN - MAB	REVISED -			SCALE:	SHEET NO. 2 OF 3 SHEETS	STA.	TO STA.	FED. ROAD DIST. NO.	ILLINOIS FED. AID PROJECT
	PLOT SCALE 10.0000' / IN.	CHECKED - BRM	REVISED -			CONTRACT NO. 74136					
	PLOT DATE= 12/3/2008	DATE -	REVISED -								