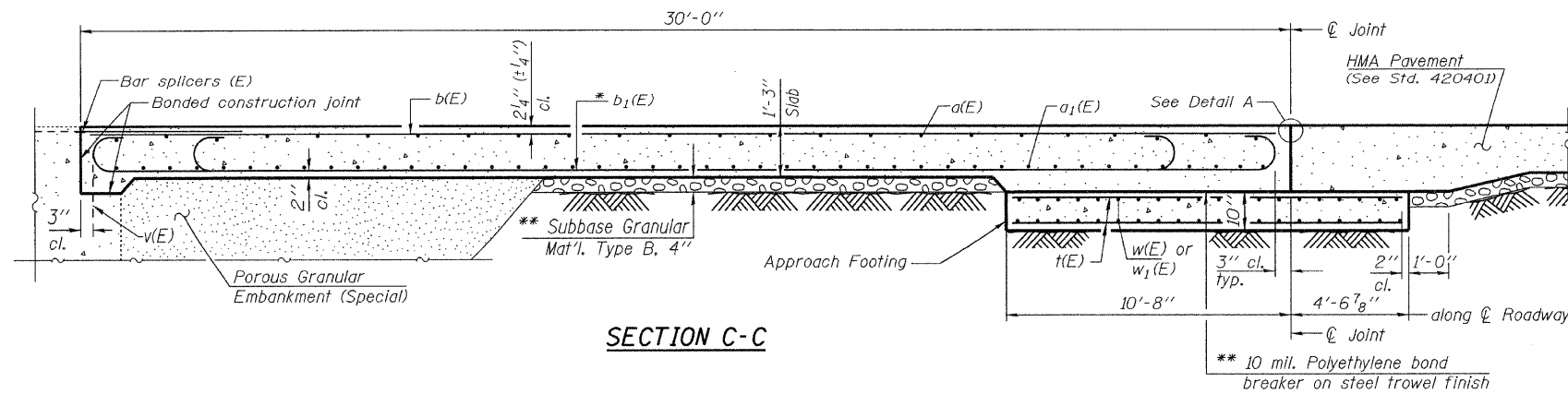
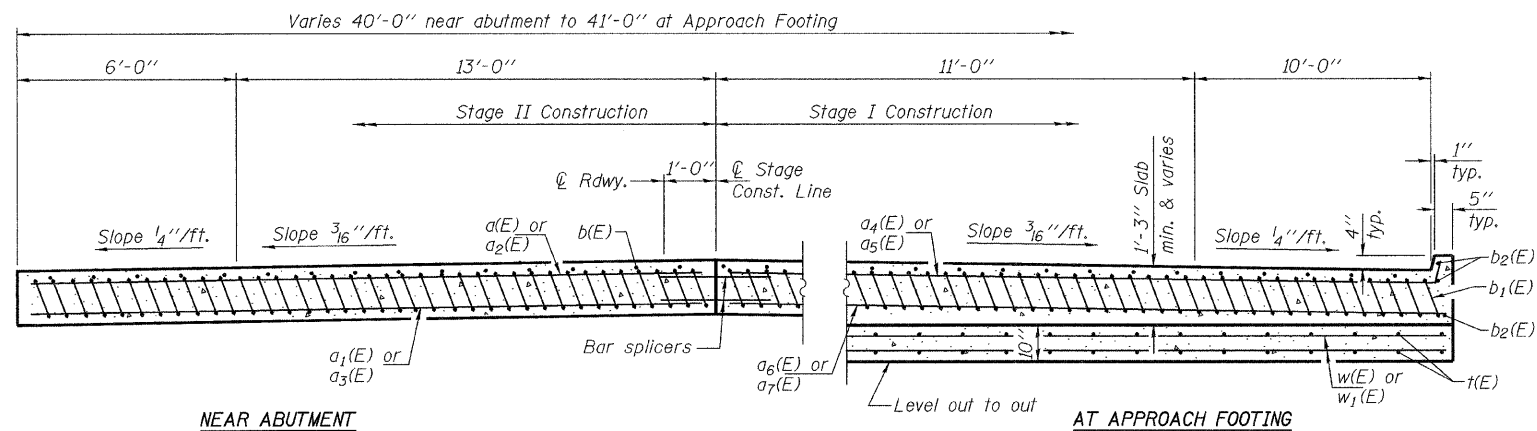


STATE OF ILLINOIS
DEPARTMENT OF TRANSPORTATION



SECTION C-C



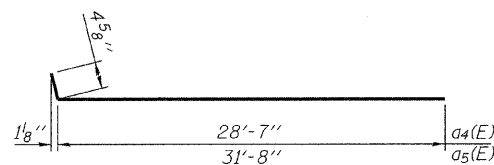
SECTION D-D
(See Plan for dimensions not shown)

* Tilt #9 b1(E) bars as required to maintain clearance.

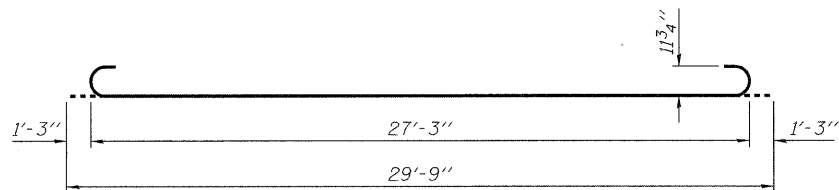
** Cost included with Concrete Superstructure.

BILL OF MATERIAL

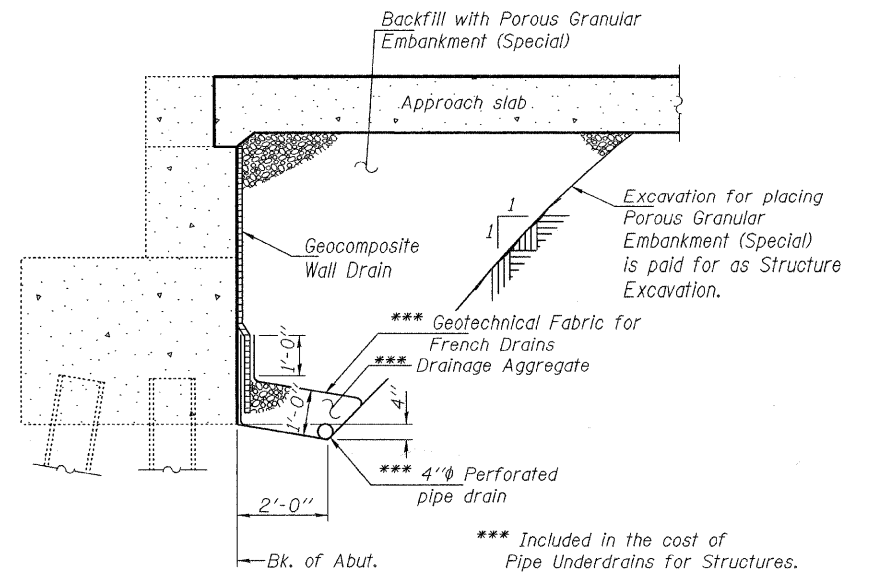
Bar	No.	Size	Length	Shape
a(E)	18	#4	28'-7"	
a1(E)	33	#5	31'-8"	
a2(E)	18	#4	28'-7"	
a3(E)	33	#5	31'-8"	
a4(E)	7	#4	29'-0"	
a5(E)	7	#4	32'-1"	
a6(E)	13	#5	28'-7"	
a7(E)	13	#5	31'-8"	
b(E)	40	#4	29'-1"	
b1(E)	96	#9	29'-9"	
b2(E)	6	#4	8'-2"	
t(E)	80	#4	14'-11"	
w(E)	42	#5	32'-5"	
w1(E)	42	#5	29'-4"	
Concrete Superstructure		Cu. Yd.	55.6	
Concrete Structures		Cu. Yd.	19.3	
Reinforcement Bars, Epoxy Coated		Pound	17990	
Porous Granular Embankment (Special)		Cu. Yd.	152	
Geocomposite Wall Drain		Sq. Yd.	70	
Pipe Underdrain for Structures, 4"		Feet	72	
Temporary Soil Retention System		Sq. Ft.	70	
Structure Excavation		Cu. Yd.	152	



BARS a4(E) & a5(E)



BAR b1(E)

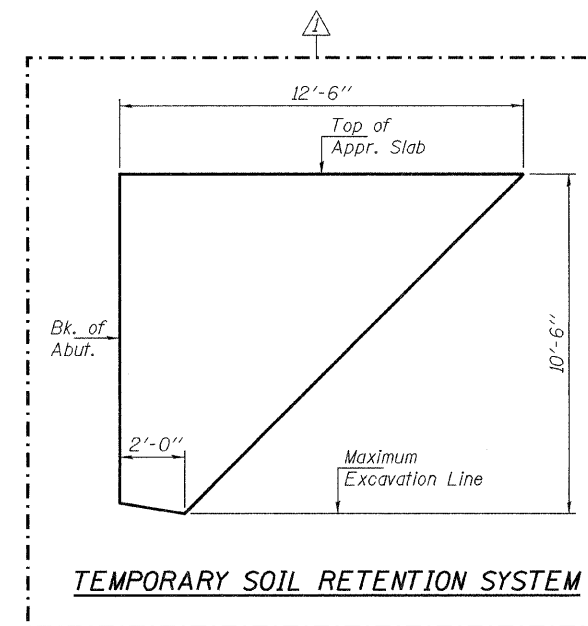


SECTION THRU PILE SUPPORTED STUB ABUTMENT

(Horiz. dim. @ Rt. L's)

Note:

All drainage system components shall extend parallel to the abutment back wall until they intersect the wingwalls or 2'-0" from the end of the wingwalls when the wings are parallel to the abutment. The pipe shall extend under the wingwall, if necessary, until intersecting the side slopes. The pipes shall drain into concrete headwalls. (See Article 601.05 of the Standard Specifications and Highway Standard 601101).



TEMPORARY SOIL RETENTION SYSTEM

NOTES:

See sheet 19 of 21 for Detail A.
Approach Slab shall be paid for as Concrete Superstructure.
Approach Footing concrete shall be paid for as Concrete Structures.
Reinforcement shall be paid for as Reinforcement Bars, Epoxy Coated.
The Approach Footing maximum applied service bearing pressure (Qmax) = 2.0 ksf.
For Bar Splicer details, see sheet 21 of 21.
Cost of excavation for Approach Footing included with Concrete Structures.

EAST APPROACH DETAILS
SN 058-0095

DESIGNED	VHV
CHECKED	DAB
DRAWN	Kyle M. Steffen
CHECKED	VHV DAB

OCTOBER 30, 2009
EXAMINED *Carl P. Anderson*
ENGINEER OF STRUCTURAL SERVICES
PASSED *Ralph E. Anderson*
ENGINEER OF BRIDGES AND STRUCTURES

SHEET NO. 20 21 SHEETS	F.A.I. RTE.	SECTION	COUNTY	TOTAL SHEETS	SHEET NO.
	72	66(B,HVB,HB-1)BR	MACON	83	64
FED. ROAD DIST. NO.			ILLINOIS FED. AID PROJECT		
CONTRACT NO. 74343					