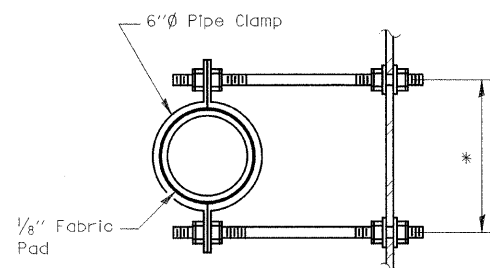
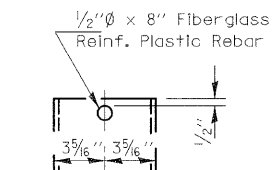


\* Dimension as required by Pipe Clamp

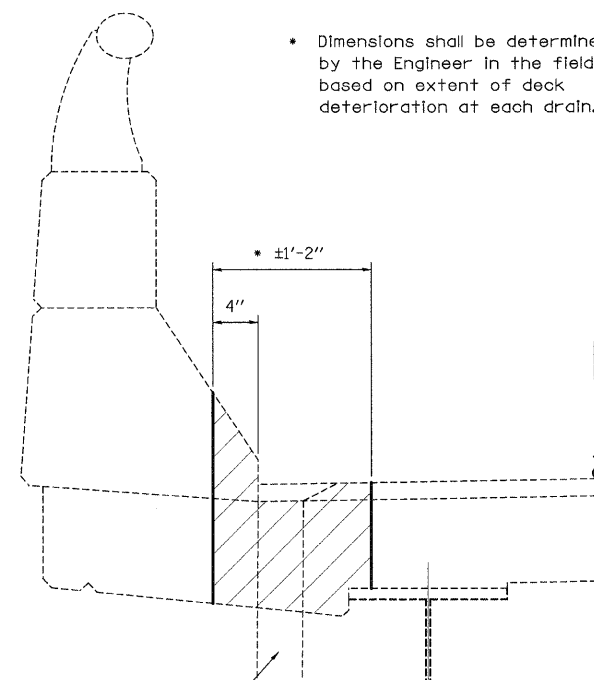


**SECTION A-A**



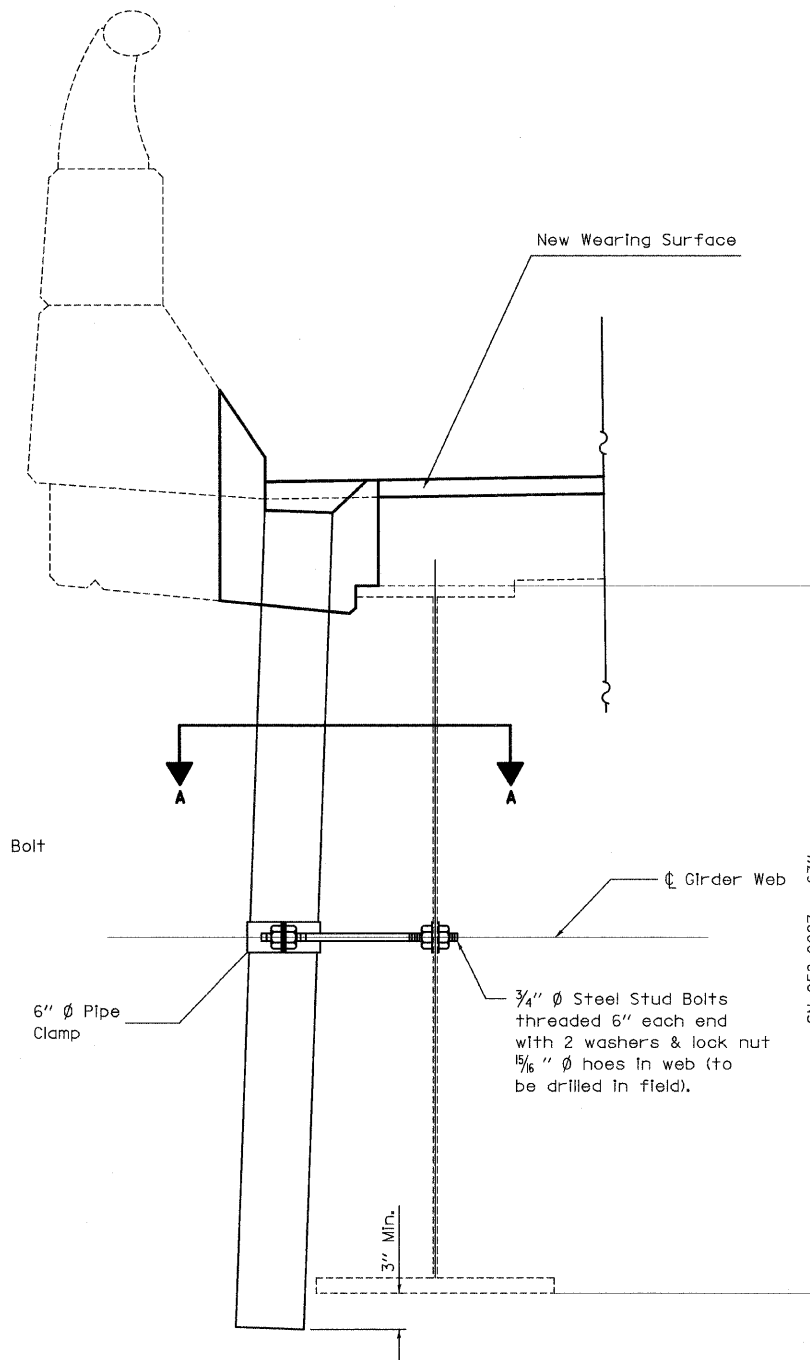
**FIBERGLASS PIPE**

\* Dimensions shall be determined by the Engineer in the field based on extent of deck deterioration at each drain.



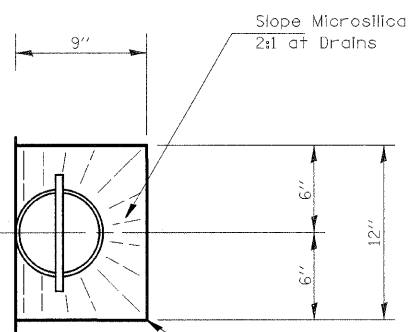
**SECTION THRU EXISTING FLOOR DRAIN**

Hatched area indicates concrete removal at floor drain replacement.



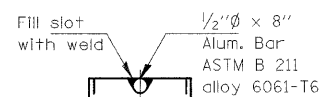
**DRAIN REPLACEMENT DETAIL**

Note: See "Bridge Deck Patching" plan sheets for Floor Drain replacement locations. See "Total Bill of Materials" for each structure for quantities. Concrete removal and replacement shall be paid for as DECK SLAB REPAIR (FULL DEPTH).

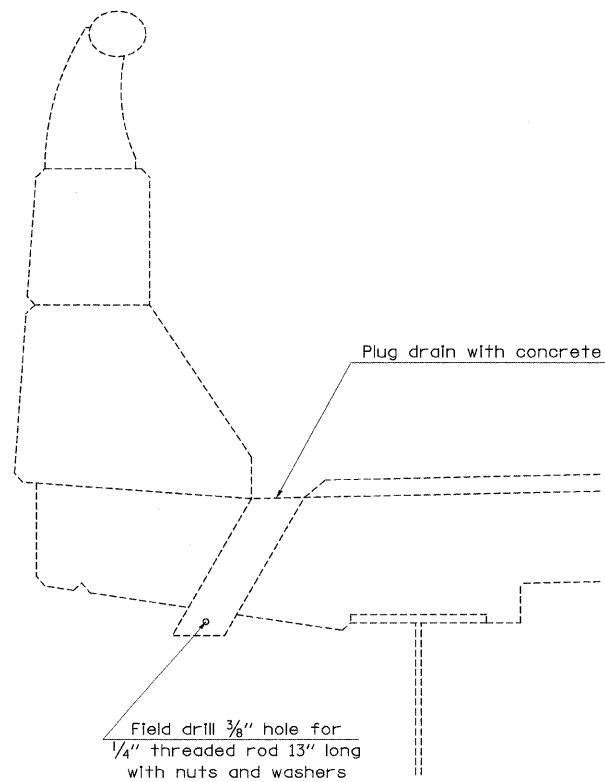


**TOP PLAN**

Surface of Original Concrete Deck

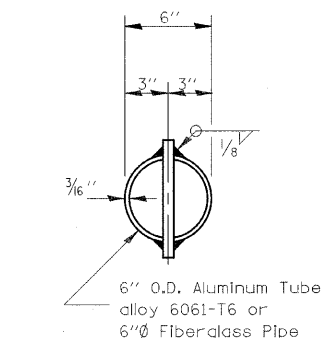


**ALUMINUM TUBE**



**DRAINS TO BE PLUGGED DETAIL**

Note: See "Bridge Deck Patching" plan sheets for Plug Existing Deck Drains locations. See "Total Bill of Materials" for each structure for quantities.



**TOP PLAN**

(Showing Aluminum Tube)

Note: Fiberglass pipe shall conform to ASTM D 2996, with short-time rupture strength hoop tensile stress of 30,000 p.s.i. minimum.

FILE NAME = c:\pwwork\pwwidot\SWARTZRW\dms37779\k...enbridge.dgn	USER NAME = swartzrw	DESIGNED -	REVISED -	<b>STATE OF ILLINOIS DEPARTMENT OF TRANSPORTATION</b>	<b>FLOOR DRAIN DETAIL</b>		F.A.I. RTE.	SECTION	COUNTY	TOTAL SHEETS	SHEET NO.		
PLOT SCALE = 20,000.00' / IN.		DRAWN -	REVISED -		SCALE: N/A	SHEET NO. 10 OF 17 SHEETS	STA.	TO STA.	72	66(B,HVB,HB-1BR)	MACON	83	75
PLOT DATE = 9/28/2009		CHECKED -	REVISED -						CONTRACT NO. 74343				
		DATE -	REVISED -						FED. ROAD DIST. NO. ILLINOIS FED. AID PROJECT				

SN 058-0097 - 63"  
SN 058-0093/94/95/96 - 57"