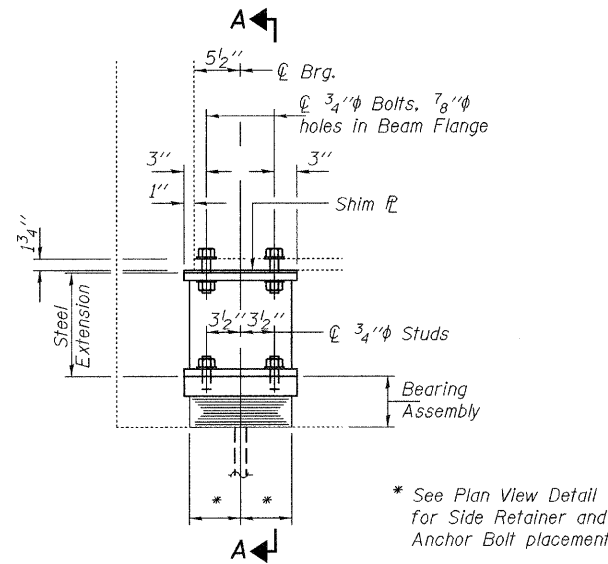


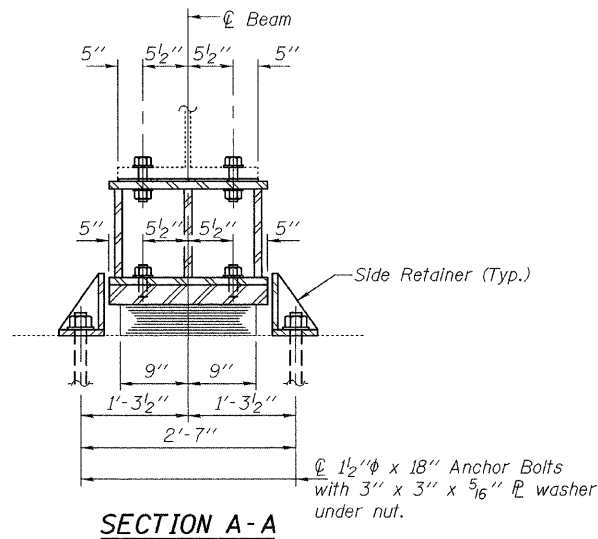
STATE OF ILLINOIS  
DEPARTMENT OF TRANSPORTATION



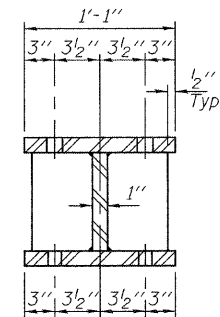
ELEVATION AT ABUTMENTS

TYPE I ELASTOMERIC EXP. BRG.

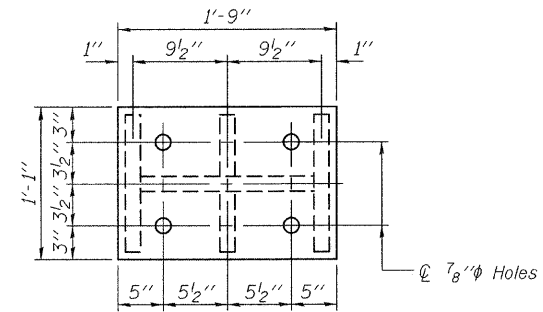
\* See Plan View Detail for Side Retainer and Anchor Bolt placement



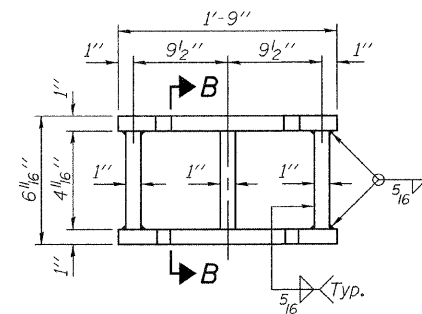
SECTION A-A



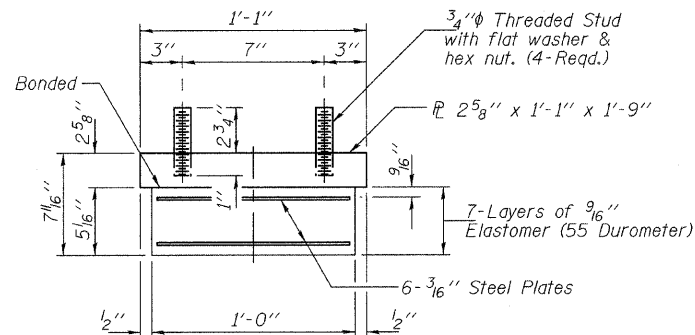
SECTION B-B



PLAN TOP AND BOTTOM PLATE

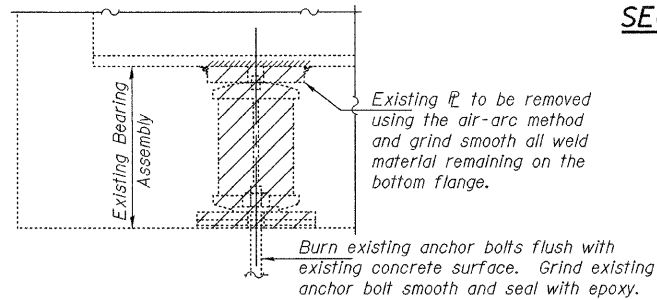


STEEL EXTENSION DETAIL



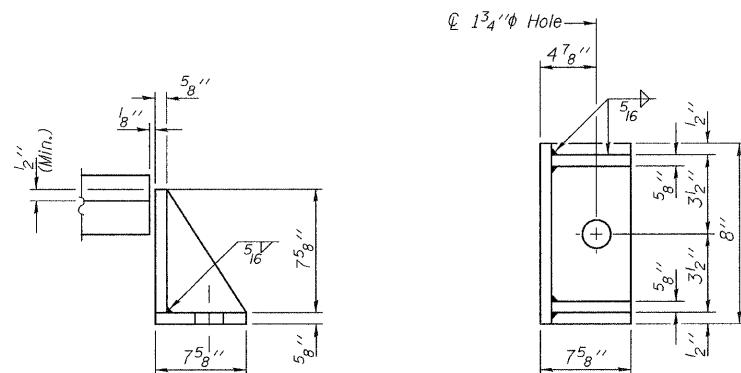
BEARING ASSEMBLY

Note:  
Shim plates shall not be placed under Bearing Assembly.



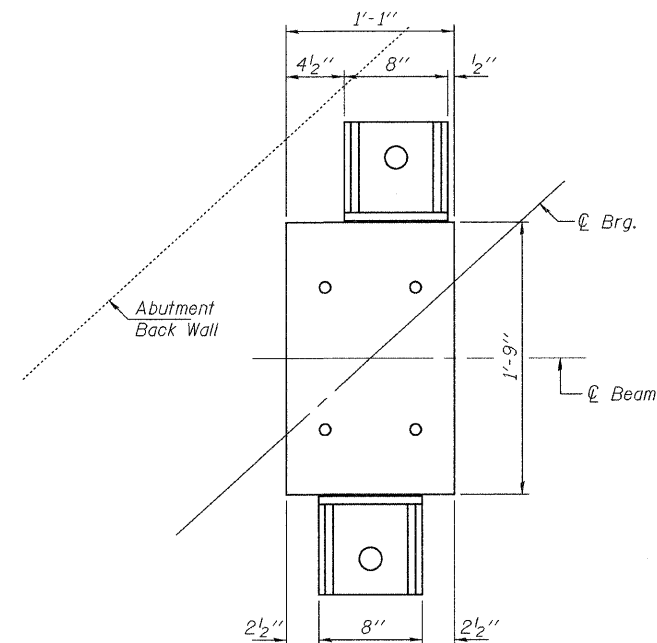
EXISTING BEARING REMOVAL DETAIL

Cost Included with Jack and Remove Existing Bearings.



SIDE RETAINER

Equivalent rolled angle with stiffeners will be allowed in lieu of welded plates.



PLAN VIEW SHOWING PLACEMENT OF SIDE RETAINERS

Notes:  
Diaphragm removal and reinstallation may be required to facilitate drilling holes. Cost included with Furnishing and Erecting Structural Steel.  
New steel extensions, shim plates and connection bolts are included with Furnishing and Erecting Structural Steel.  
Prior to ordering any material, the Contractor shall verify in the field all bearing height and shim thickness dimensions. Min. jack capacity = 80 Tons for the West Abutment and 90 Tons for the East Abutment.  
Anchor bolts shall be ASTM F1554 all-thread (or an Engineer-approved alternate material) of the grade(s) and diameter(s) specified. ASTM A307 Grade C anchor bolts may be used in lieu of ASTM F1554 Grade 36 (Fy=36ksi). The corresponding specified grade of AASHTO M314 anchor bolts may be used in lieu of ASTM F1554.  
Side retainers shall be included in the cost of Elastomeric Bearing Assembly, Type I.  
Drilled and set anchor bolts shall be installed according to Article 521.06 of the Standard Specifications.

SHIM PLATES

WEST ABUTMENT	
Girder 1	1/4" x 13" x 21"
EAST ABUTMENT	
Girder 3	3/8" x 13" x 21"

WEST ABUTMENT BEAM REACTIONS

R <sub>P</sub>	(K)	84.8
R <sub>L</sub>	(K)	37.2
Imp.	(K)	6.7
R (Total)	(K)	128.7

EAST ABUTMENT BEAM REACTIONS

R <sub>P</sub>	(K)	93.5
R <sub>L</sub>	(K)	38.4
Imp.	(K)	6.9
R (Total)	(K)	138.8

BILL OF MATERIAL

Item	Unit	Total
Elastomeric Bearing Assembly Type I	Each	8
Jack and Remove Existing Bearings	Each	8
Furnishing and Erecting Structural Steel	Pound	1900
Anchor Bolts, 1 1/2" φ	Each	16

ABUTMENT BEARING REPLACEMENT DETAILS  
CH. 18 OVER FAI RT. 72  
SN 058-0097

DESIGNED	AJB
CHECKED	SJB
DRAWN	Steffen
CHECKED	AJB SJB

OCTOBER 30, 2009  
EXAMINED *Carl Hovner*  
ENGINEER OF STRUCTURAL SERVICES  
PASSED *Ralph E. Anderson*  
ENGINEER OF BRIDGES AND STRUCTURES

SHEET NO. 17 17 SHEETS	F.A.I. RTE.	SECTION	COUNTY	TOTAL SHEETS	SHEET NO.
	72	66(B,HVB,HB-1)BR	MACON	83	82
FED. ROAD DIST. NO.			ILLINOIS FED. AID PROJECT		
			CONTRACT NO. 74343		