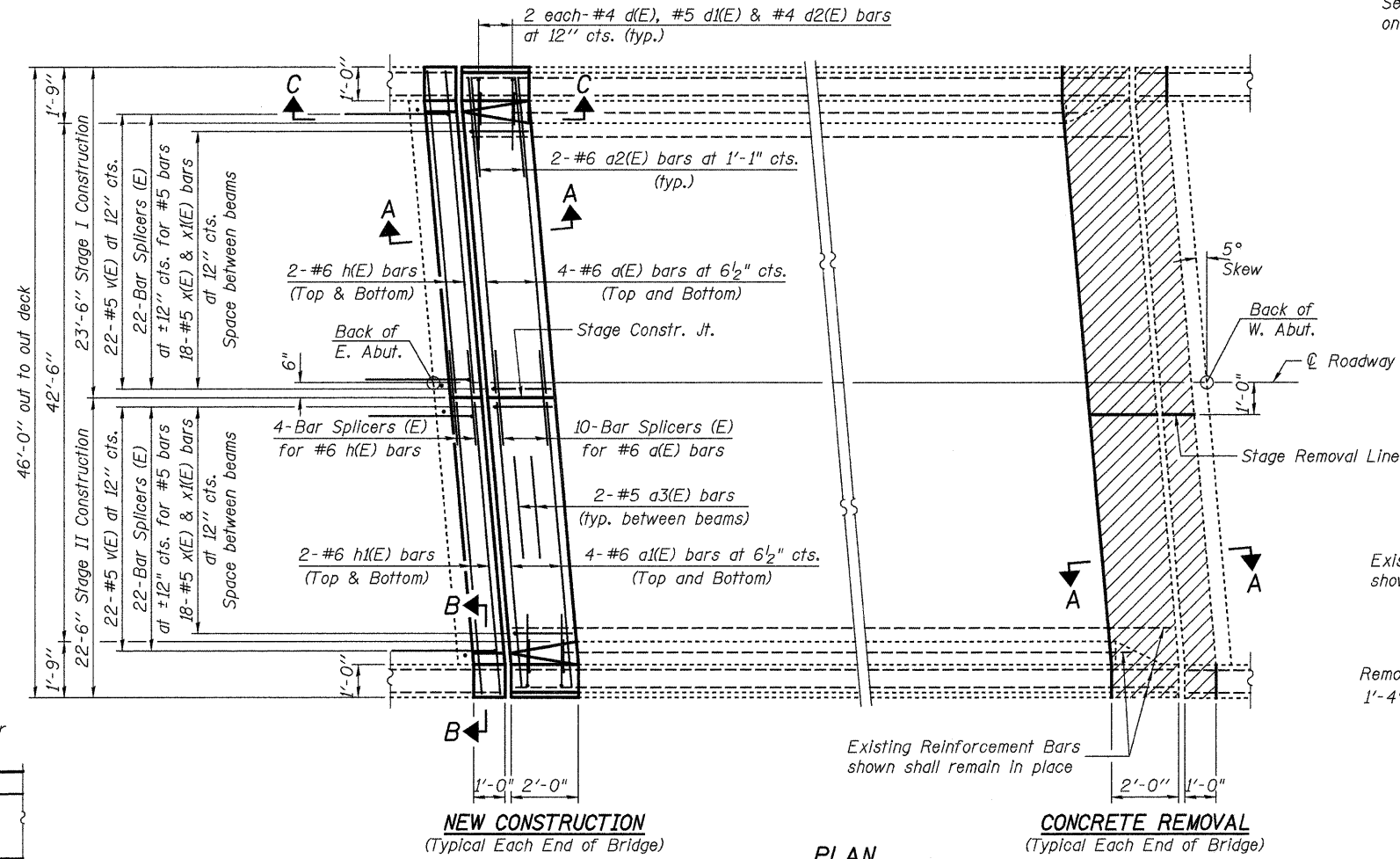
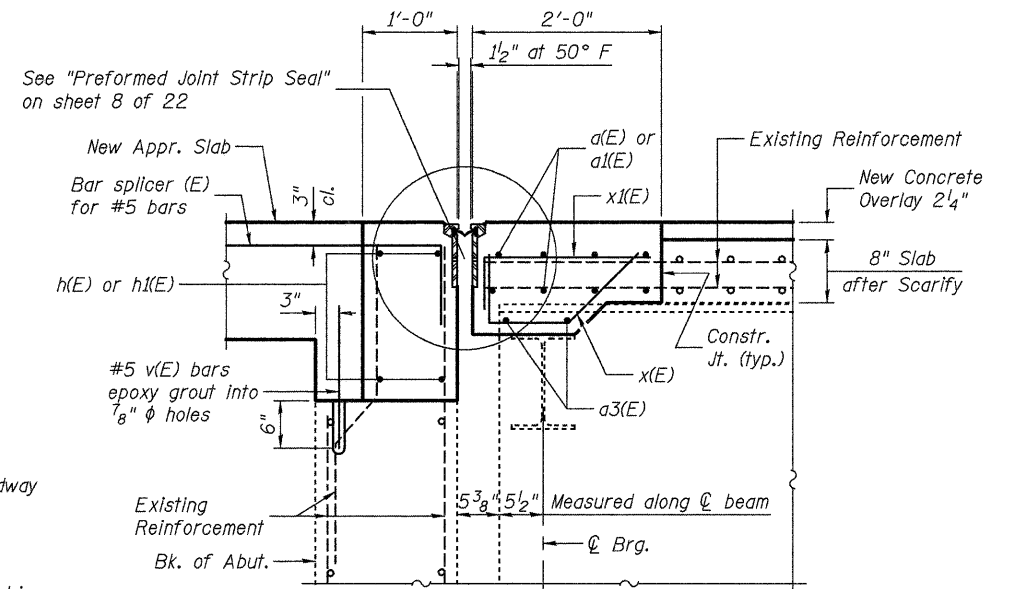


STATE OF ILLINOIS  
DEPARTMENT OF TRANSPORTATION

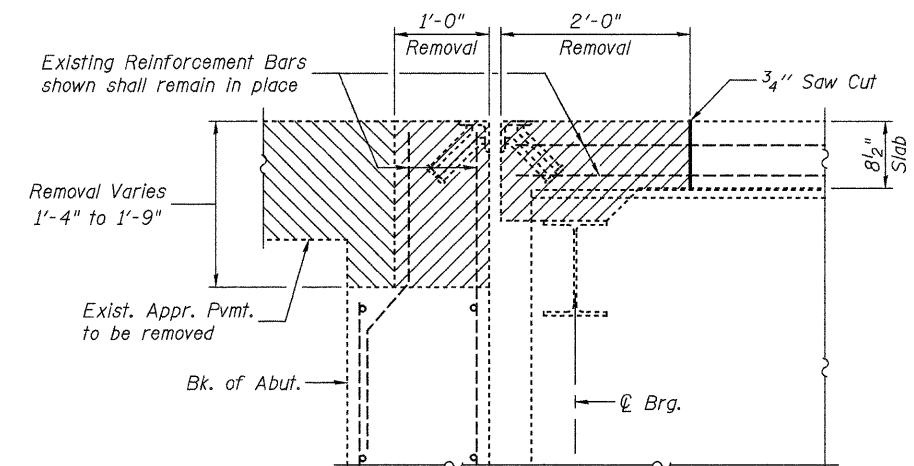


PLAN

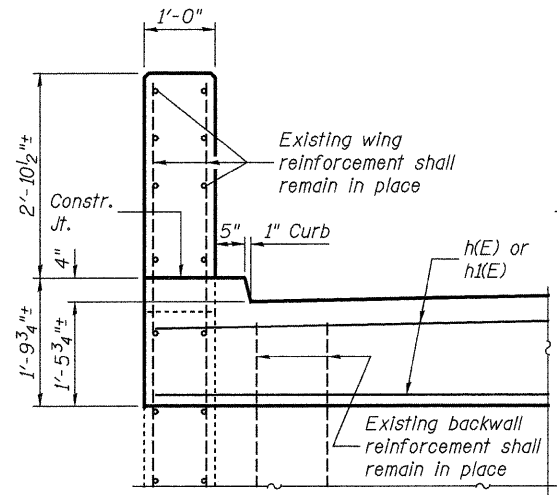
Indicates Limits of Concrete Removal.



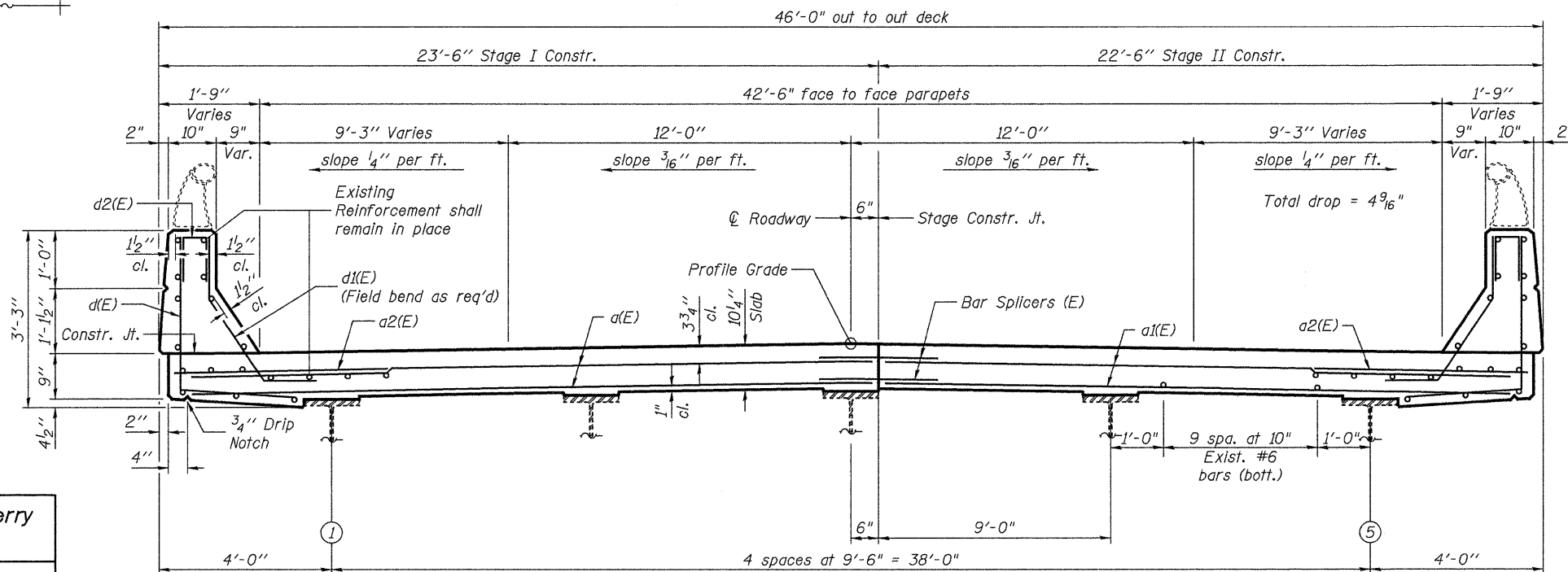
PROPOSED SECTION A-A



EXISTING SECTION A-A



SECTION B-B



CROSS SECTION  
(Looking North-West)

Notes:  
For Section C-C see Sheet 5 of 22.

Existing reinforcement shall be cleaned and incorporated into the new construction. Cost included with Concrete Removal.

DESIGNED: JDQ	DRAWN: PTR
CHECKED: DCD	CHECKED: DCD

SUPERSTRUCTURE  
STRUCTURE NO. 079-0036

SHEET 4 OF 22	F.A.P. RTE. 312	SECTION 73BR-II	COUNTY RANDOLPH	TOTAL SHEETS 51	SHEET NO. 27
	STA. 793+80		CONTRACT NO. 76883		
FED. ROAD DIST. NO. ILLINOIS FED. AID PROJECT					

FILE: J:\J00\10075 IL-DBVW#4 IL 3 Kaskaskia River-FINAL\0790036-76883-004-superstr2.dgn  
USER: DCD  
DATE: 02/15/2010 11:36:09