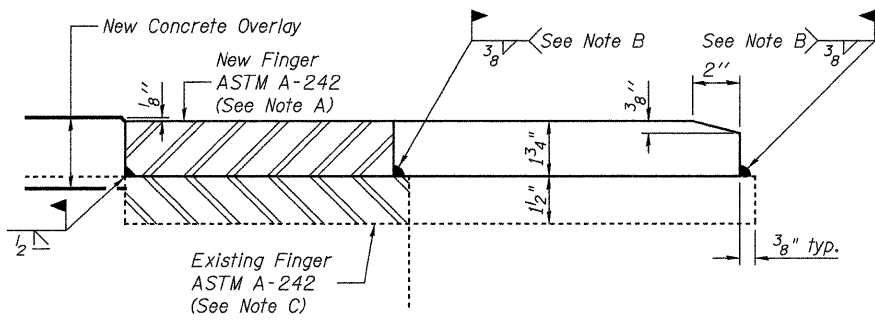
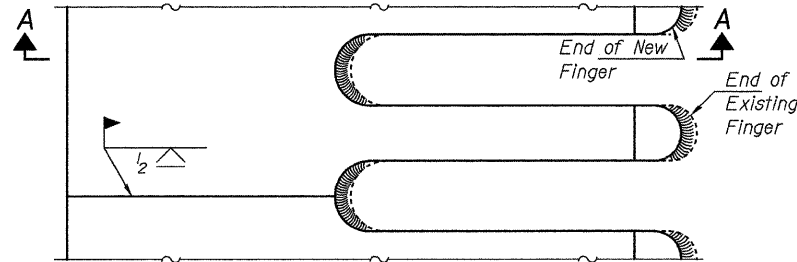


STATE OF ILLINOIS  
DEPARTMENT OF TRANSPORTATION



SECTION A-A

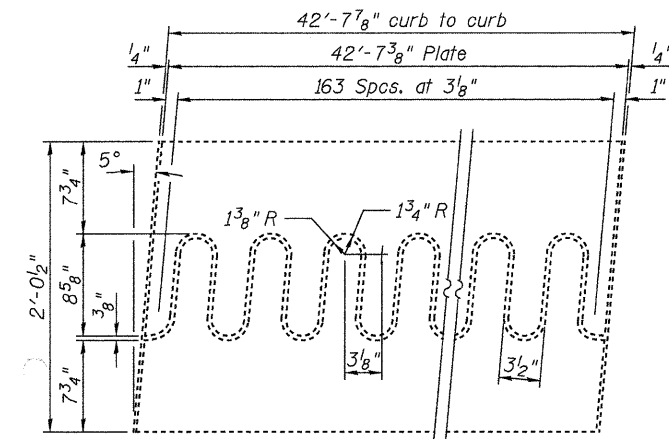


FINGER PLATE RETROFIT

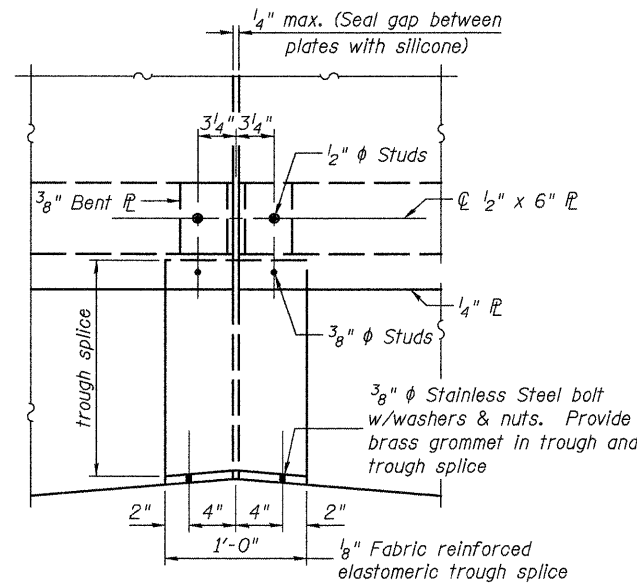
Note A:  
New Finger shall be blast cleaned to SSPC SP 10 and shop painted with the inorganic zinc rich primer.

Note B:  
Fillet weld sizes at ends (tips) and crotches of fingers shall vary from 3/8" near centers to 3/16" minimum near edges as new and existing plates converge.

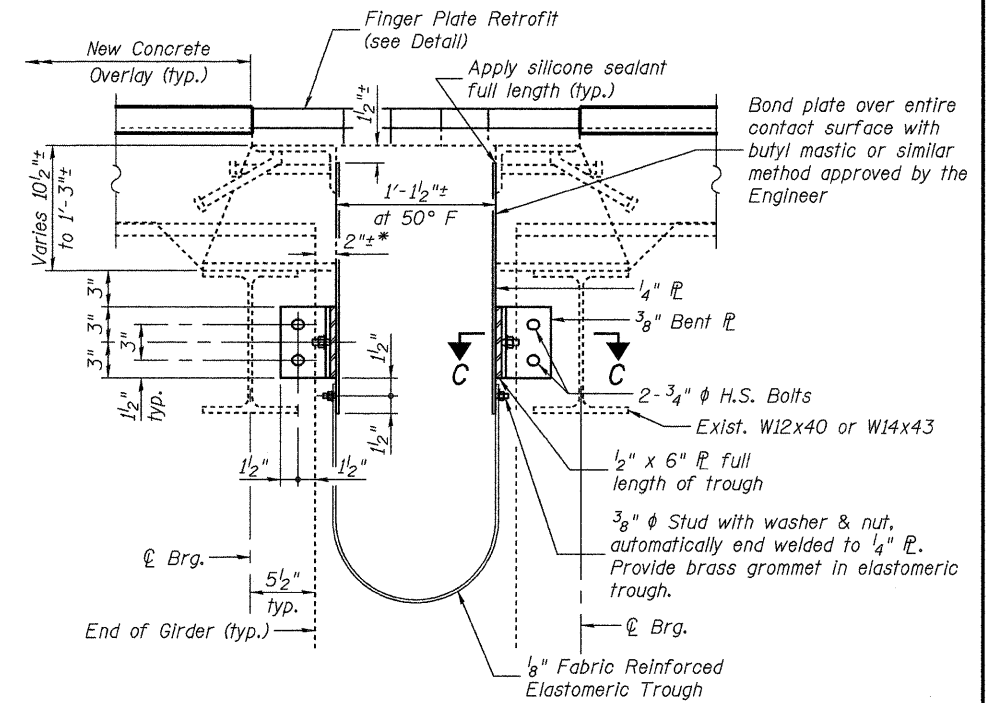
Note C:  
Existing Finger widths and exact locations must be field verified. A template shall be made to insure alignment. Remove foreign material that would prevent uniform contact between new and existing plates by method approved by the Engineer.



PLAN OF EXISTING FINGER PLATE  
(from original plans, see Note C)

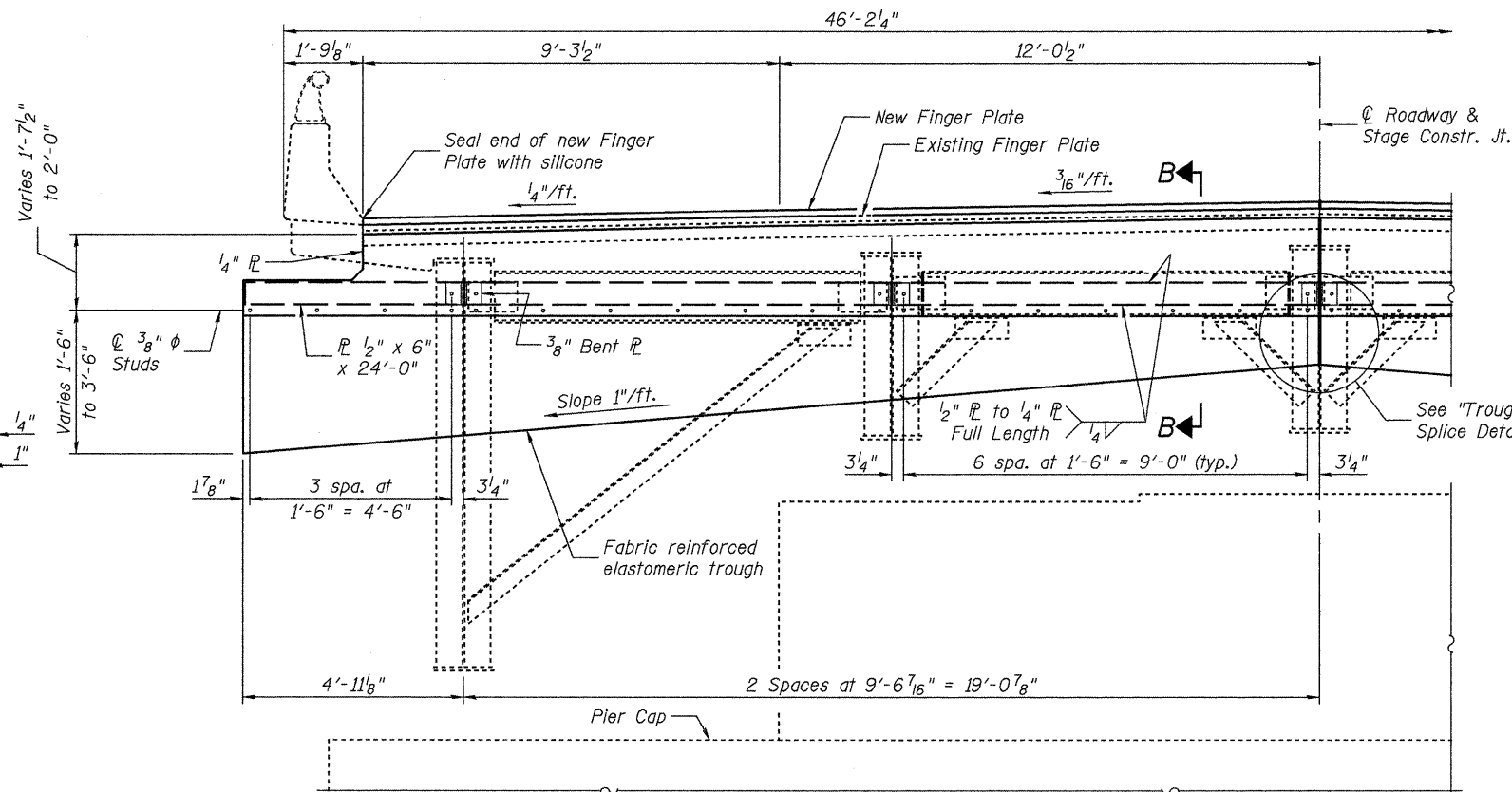


TROUGH SPLICE DETAIL



SECTION B-B

\* Note:  
Existing dimension from End of Girder to End of Deck shall be field verified prior to fabricating bent plates.



HALF-SECTION ALONG JOINT

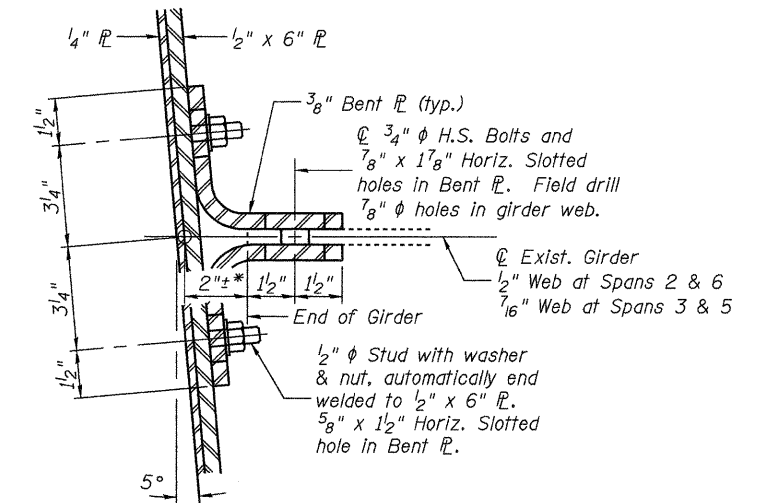
Spans 2 & 6 side shown, Spans 3 & 5 side similar

NOTES:  
New Finger Plate shall be ASTM A242, or AASHTO M270 Grade 50W, or equivalent.

The 1/4" trough plate shall be galvanized according to AASHTO M111, or may be stainless steel.

All steel for the Finger Plate Retrofit and Trough Installation is included in Furnishing and Erecting Structural Steel.

NOTES (Cont'd):  
Existing and new structural steel that will be inaccessible after installation of the trough shall be cleaned and painted prior to installing the trough, according to the Special Provision for "Cleaning and Painting Existing Steel Structures". Cost shall be included with Cleaning and Painting Structural Steel, Location 1. As a minimum this shall include all existing and new steel on the trough side of the cross-frame top beam including the bottom surface of the beam. The designated areas of existing steel shall be cleaned per Near White Blast Cleaning - SSPC-SP10. Existing and new steel in designated areas shall be painted according to the requirements of Paint System 1 - OZ/E/U. The color of the Final Finish coat shall be Gray, Munsell No. 5B 7/1.



SECTION C-C

BILL OF MATERIAL

Item	Unit	Total
Furnishing and Erecting Structural Steel	Pound	17810
Fabric Reinforced Elastomeric Trough	Foot	96
Cleaning and Painting Structural Steel, Location 1	L Sum	1
Containment and Disposal of Lead Paint Cleaning Residues	L Sum	1

FINGER PLATE EXPANSION JOINT  
AT PIERS 2 & 5  
STRUCTURE NO. 079-0036

SHEET	F.A.P. RTE.	SECTION	COUNTY	TOTAL SHEETS	SHEET NO.
9 OF 22	312	73BR-11	RANDOLPH	51	32
STA. 793+80			CONTRACT NO. 76883		
FED. ROAD DIST. NO.		ILLINOIS FED. AID PROJECT			

**JD** Johnson, Depp & Quisenberry  
CONSULTING ENGINEERS  
Springfield, Illinois

DESIGNED: JDQ DRAWN: PTR  
CHECKED: DCD CHECKED: DCD