

STATE OF ILLINOIS  
DEPARTMENT OF TRANSPORTATION

Notes:

Existing expansion bearings shall be removed and replaced according to the plans. Jacking shall be according to the Special Provisions for "JACK AND REMOVE EXISTING BEARINGS". If web stiffeners are not present directly over the jack location, hardwood timbers shall be installed tightly between top and bottom flanges to prevent rotation.

The abutment bearings shall be in place and the jacks lowered before the new concrete deck is poured at the abutments.

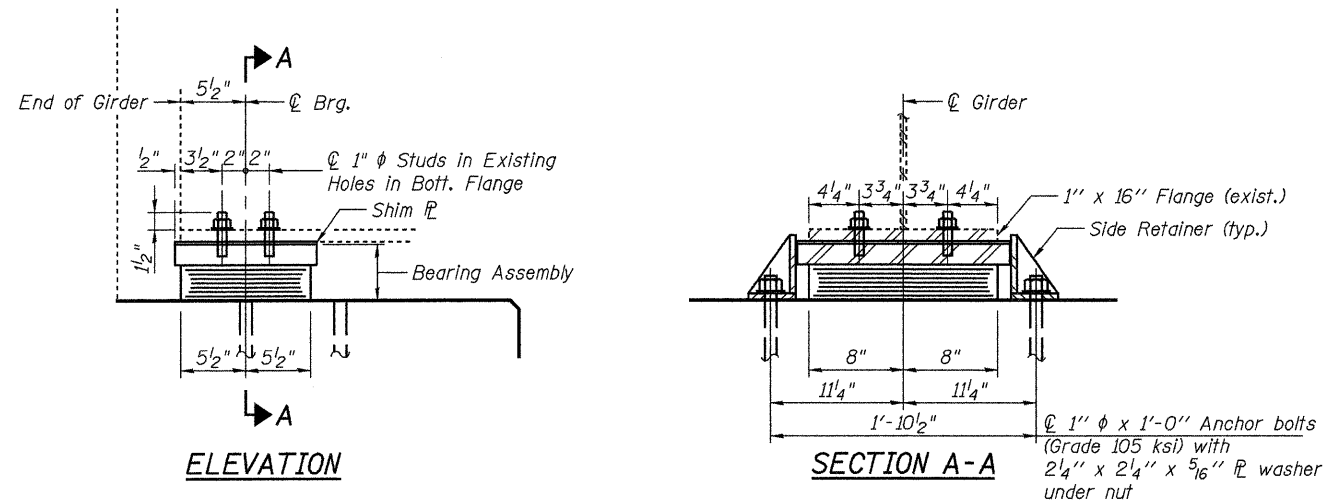
Diaphragm removal and replacement may be required to facilitate drilling holes. Cost shall be included with Furnishing and Erecting Structural Steel.

Prior to ordering any material, the Contractor shall verify in the field all bearing height and shim thickness dimensions. The Shim Thickness Table is copied from the original plans.

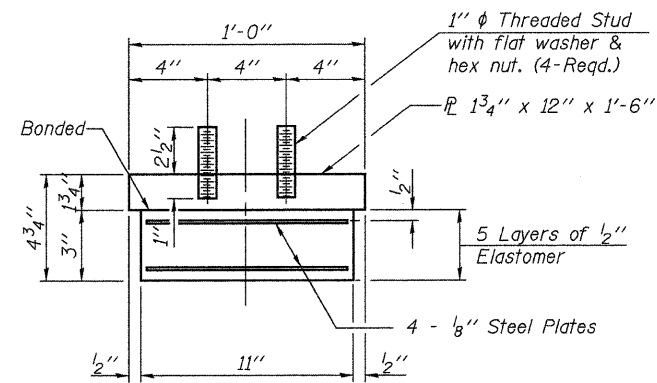
Two 1/8 in. adjusting shims shall be provided for each bearing in addition to all other plates or shims and placed as shown on bearing details.

New steel extensions, shim plates and connection bolts are included with Furnishing and Erecting Structural Steel.

The structural steel bearing plates for the expansion bearings shall conform to the requirements of AASHTO M 270 Grade 50. The plates for the side retainers and steel extensions may be Grade 36 or 50.

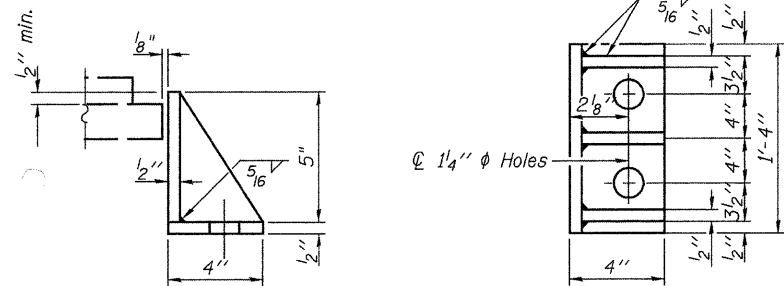


**TYPE I ELASTOMERIC EXP. BRG.**



**BEARING ASSEMBLY**

Note:  
Shim plates shall not be placed under Bearing Assembly.



**SIDE RETAINER**

Equivalent rolled angle with stiffeners will be allowed in lieu of welded plates.

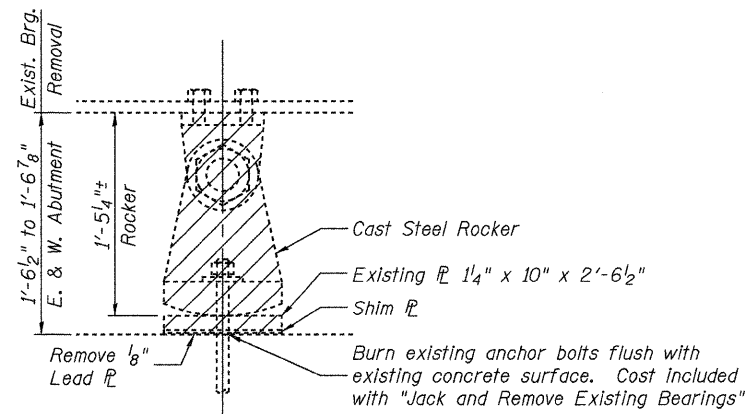
Notes:

Anchor bolts shall be ASTM F1554 all-thread (or an Engineer-approved alternate material) of the grade(s) and diameter(s) specified. ASTM A307 Grade C anchor bolts may be used in lieu of ASTM F1554 Grade 36 (Fy=36ksi). The corresponding specified grade of AASHTO M314 anchor bolts may be used in lieu of ASTM F1554.

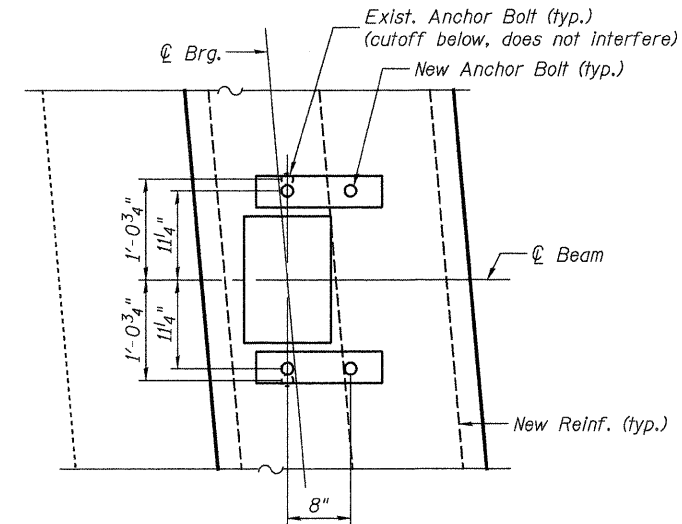
Anchor bolts for side retainers shall be installed in holes drilled after members are in place.

Drilled and set anchor bolts shall be installed according to Article 521.06 of the Standard Specifications.

Side retainers and other steel members required for the bearing assembly shall be included in the cost of Elastomeric Bearing Assembly, Type I.



**EXISTING BEARING REMOVAL**



**ANCHOR BOLT LAYOUT**

**BILL OF MATERIAL**

Item	Unit	E. Abut.	W. Abut.
Jack and Remove Existing Bearings	Each	5	5
Elastomeric Bearing Assembly Type I	Each	5	5
Furnishing and Erecting Structural Steel	Pound	-	-
Anchor Bolts, 1"	Each	20	20

**SHIM THICKNESS TABLE**

Location	Girder 1	Girder 2	Girder 3	Girder 4	Girder 5
East Abut.	-	-	-	1/4"	3/8"
West Abut.	-	-	-	1/4"	3/8"

**INTERIOR GIRDER REACTION TABLE**

	E. Abut.	W. Abut.
R (DL)	(K) 51.5	44.0
R (LL)	(K) 53.8	55.3
R (Imp)	(K) 12.9	12.2
R (Total)	(K) 118.2	111.5
Minimum Jack Capacity (Tons)	65	65

**BEARINGS - ABUTMENTS  
STRUCTURE NO. 079-0036**

SHEET 10 OF 22	F.A.P. RTE.	SECTION	COUNTY	TOTAL SHEETS	SHEET NO.
	312	73BR-11	RANDOLPH	51	33
STA. 793+80			CONTRACT NO. 76883		
FED. ROAD DIST. NO.		ILLINOIS FED. AID PROJECT			

**JD** Johnson, Depp & Quisenberry  
CONSULTING ENGINEERS  
Springfield, Illinois

DESIGNED: JDQ	DRAWN: PTR
CHECKED: DCD	CHECKED: DCD

I-2E-1

10-1-08 (Modified)