

**WIRING DETAIL**  
NO SCALE

**GENERAL NOTES**

All taped splices shall use 2 layers of electrical tape over 3 layers of rubber tape as required by the Standard Specifications. Coat the finished taped splice with bonding compound.  
All cable splices shall be taped unless another method has been specifically approved by the Engineer.  
For example purposes the pole is shown on an anchor base. If the pole is required to be set on a breakaway base, consult the Standard Specifications.

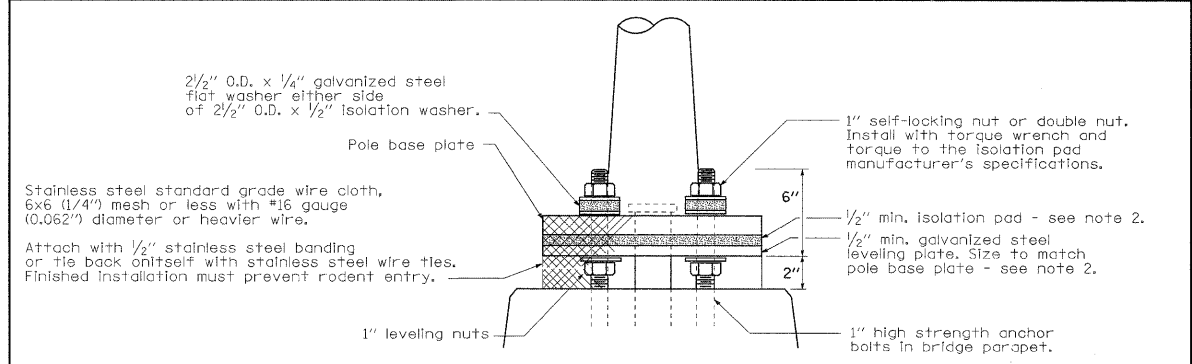
All dimensions are in millimeters (inches) unless otherwise shown.

| DATE    | REVISIONS |
|---------|-----------|
| 7/31/08 | Updated   |
|         |           |
|         |           |
|         |           |

**POLE HANDHOLE WIRING**

**DRAFT**

LGT008A.DGN



**Pole Mounted on Bridge Parapet Detail**

**GENERAL NOTES**

Locate poles over bridge piers where possible.

The vibration isolation pad and leveling plate shall match the footprint of the pole base plate.

Thickness of isolation pad and washers shall be according to the isolation pad manufacturer's recommendations based upon pole height and loading.

Should the length of the exposed anchor bolts be too short on an existing bridge to mount the poles as shown, then the leveling plate shall be mounted directly on the concrete and leveled with stainless steel washers. Remove concrete as directed by the Engineer to fully thread the top nut.

All dimensions are in millimeters (inches) unless otherwise shown.

| DATE    | REVISIONS |
|---------|-----------|
| 7/31/08 | Updated   |
|         |           |
|         |           |
|         |           |

**POLE MOUNTED ON BRIDGE PARAPET**

**DRAFT**

LGT018A.DGN

DRAFT COPY  
not for distribution