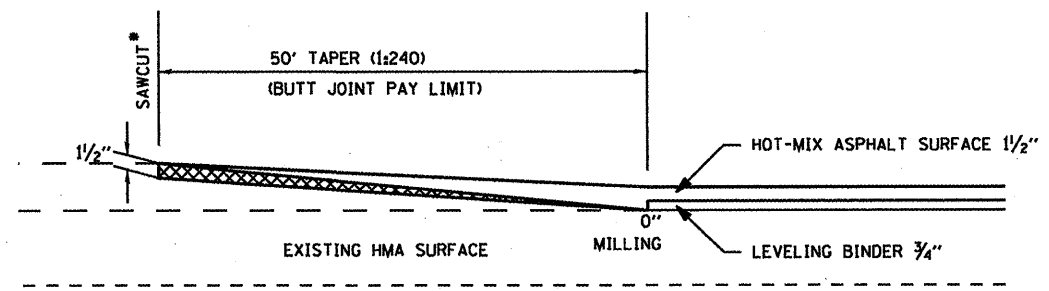


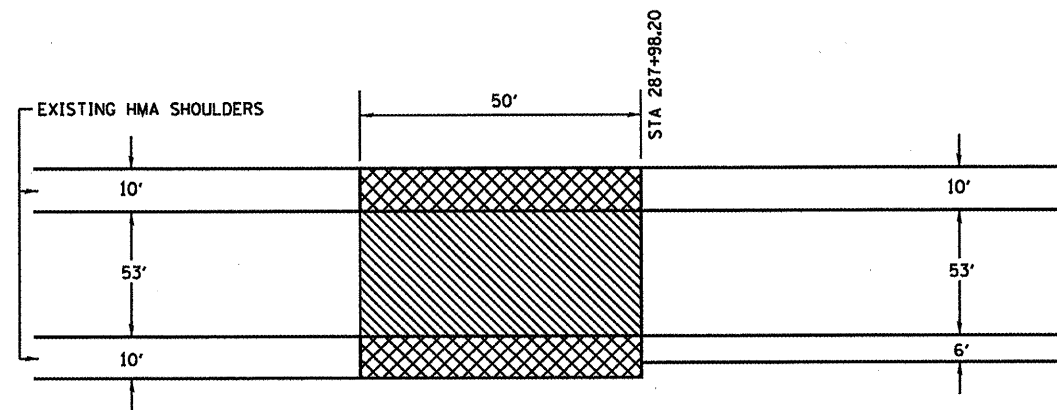
PCC PAVEMENT SURFACE REMOVAL (BUTT JOINT)



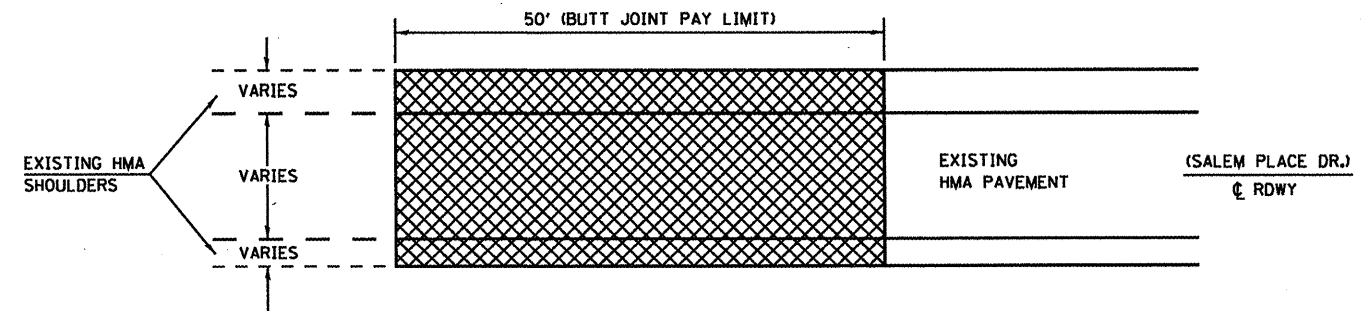
HOT-MIX ASPHALT SURFACE REMOVAL (BUTT JOINT)

SALEM PLACE DR. STA 0+00
 SALEM PLACE DR. STA 57+10
 SALEM PLACE DR. STA 60+48



* COST OF SAWCUT TO BE INCLUDED IN
 HOT-MIX ASPHALT SURFACE REMOVAL - BUTT JOINT



PLAN VIEW



PLAN VIEW

 HOT-MIX ASPHALT SURFACE REMOVAL - BUTT JOINT
 PCC SURFACE REMOVAL - BUTT JOINT

(NO SCALE)

FILE NAME *	USER NAME * eifordb	DESIGNED -	REVISED -
ca\ps_work\psidot\elfordb\08174224\0876	57-shr-plan.dgn	DRAWN -	REVISED -
	PLOT SCALE = 48.0000' / IN.	CHECKED -	REVISED -
	PLOT DATE = 3/2/2010	DATE -	REVISED -

STATE OF ILLINOIS
 DEPARTMENT OF TRANSPORTATION

JOINT DETAILS.

SCALE: NONE SHEET NO. OF SHEETS STA. TO STA.

F.A.J. RTE.	SECTION	COUNTY	TOTAL SHEETS	SHEET NO.
32R/366	32RS-3, 31RS-3, 1RS-1	ST. CLAIR	56	40
FED. ROAD DIST. NO.			ILLINOIS FED. AID PROJECT	
			CONTRACT NO. 76069	