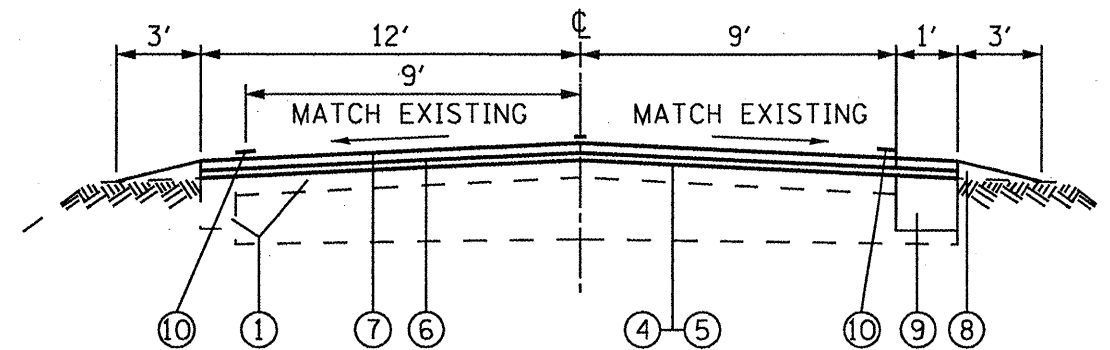


STA. 774+80 TO 780+00



STA. 780+00 TO 782+96

**LEGEND**

- ① EXISTING PAVEMENT.
- ② EXISTING "V" GUTTER TO BE REMOVED
- ③ EXISTING "V" GUTTER TO BE REMOVED & REPLACED WITH TYPE "B" GUTTER SPECIAL
- ④ PROPOSED BITUMINOUS MATERIALS (PRIME COAT)
- ⑤ PROPOSED AGGREGATE (PRIME COAT)
- ⑥ PROPOSED LEVELING BINDER- MACHINE METHOD, N70 - 3/4"
- ⑦ PROPOSED HMA CONCRETE SURFACE COURSE, MIX "C", N-70 - 1 1/2"
- ⑧ PROPOSED AGGREGATE SHOULDER WEDGE, TYPE B
- ⑨ PROPOSED BASE COURSE WIDENING - 8"
- ⑩ PROPOSED PAVEMENT MARKING

FILE NAME *	USER NAME * alfordb	DESIGNED -	REVISED -	<b>STATE OF ILLINOIS DEPARTMENT OF TRANSPORTATION</b>	<b>TYPICAL SECTIONS</b>			CHI RTE.	SECTION	COUNTY	TOTAL SHEETS	SHEET NO.
al\pe_work\pavedot\alfordb\0174398\0876	76-shr-plan.dgn	DRAWN -	REVISED -					2	05-226-2RS	MARION	12	6
PLOT SCALE = 1/8" = 100.0000' / IN.		CHECKED -	REVISED -		CONTRACT NO. 76076			FED. ROAD DIST. NO.		ILLINOIS FED. AID PROJECT		
PLOT DATE = 1/28/2010		DATE -	REVISED -		SCALE:	SHEET NO. OF SHEETS	STA. TO STA.					