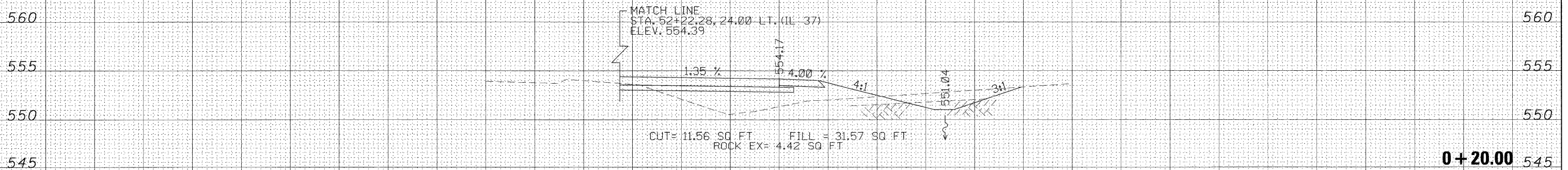
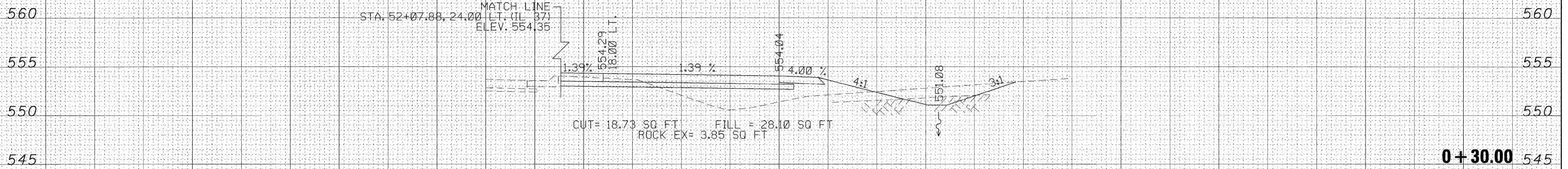


SE QUADRANT



DATE _____ BY _____

ORIGINAL SURVEY _____ SURVEYED _____

NOTE BOOK _____ PLOTTED _____

NO. _____ TEMPLATE _____

AREAS CHECKED _____

DATE _____ BY _____

ORIGINAL SURVEY _____ SURVEYED _____

NOTE BOOK _____ PLOTTED _____

NO. _____ TEMPLATE _____

AREAS CHECKED _____

FILE NAME = *FILEL*

USER NAME = *USER*

PLOT SCALE = *SCALE*

PLOT DATE = *DATE*

DESIGNED -

DRAWN -

CHECKED -

DATE -

REVISED -

REVISED -

REVISED -

REVISED -

STATE OF ILLINOIS
DEPARTMENT OF TRANSPORTATION

CROSS SECTIONS SOUTHEAST QUADRANT

SCALE: SHEET NO. OF SHEETS STA. +20.00 TO STA. +30.00

F.A. RTE. 148/37	SECTION 113(N-1)	COUNTY WILLIAMSON	TOTAL SHEETS 91	SHEET NO. 84
CONTRACT NO. 78113				
ILLINOIS FED. AID PROJECT				