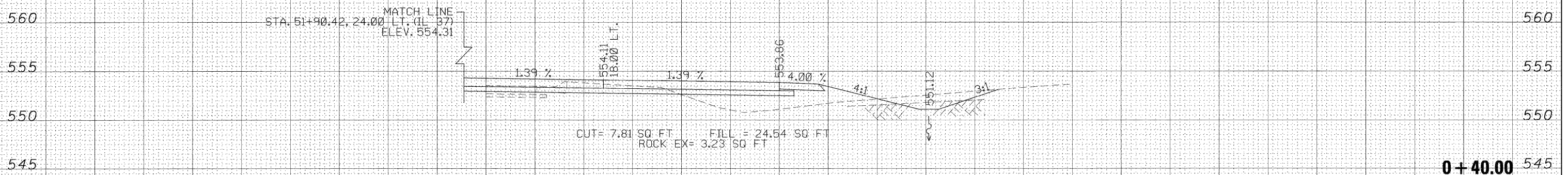
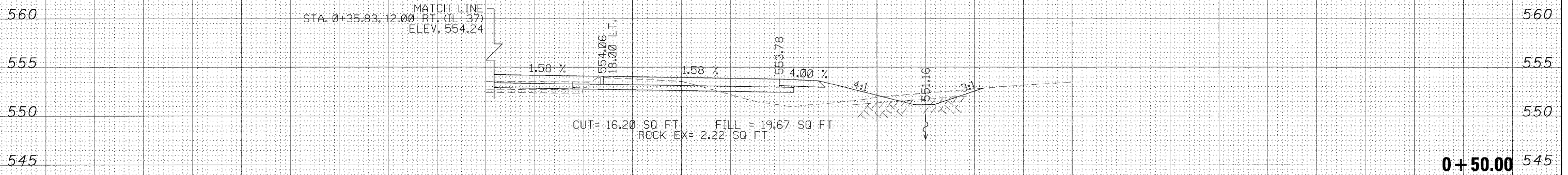


SE QUADRANT



DATE	BY
SURVEYED	PLOTTED
NOTE BOOK	TEMPLATE
NO.	AREAS CHECKED

DATE	BY
SURVEYED	PLOTTED
NOTE BOOK	TEMPLATE
NO.	AREAS CHECKED

FILE NAME =
#FILEL*

USER NAME = #USER*
DESIGNED -
DRAWN -
CHECKED -
DATE -

REVISIED -
REVISIED -
REVISIED -
REVISIED -

STATE OF ILLINOIS
DEPARTMENT OF TRANSPORTATION

CROSS SECTIONS SOUTHEAST QUADRANT

SCALE: SHEET NO. OF SHEETS STA. +40.00 TO STA. +50.00

F.A. RTE. 148/37	SECTION 113(N-1)	COUNTY WILLIAMSON	TOTAL SHEETS 91	SHEET NO. 85
CONTRACT NO. 78113				
ILLINOIS FED. AID PROJECT				