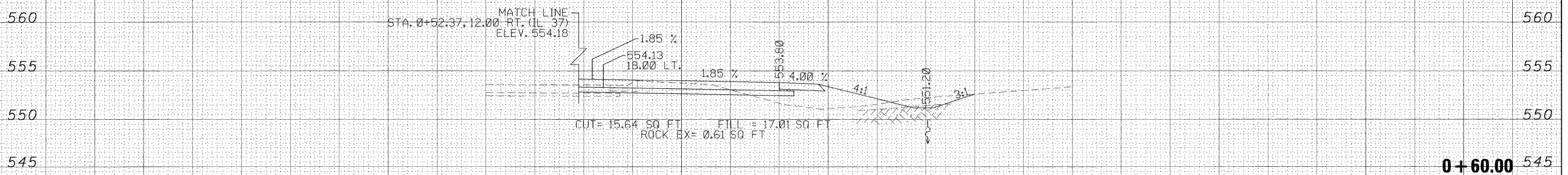
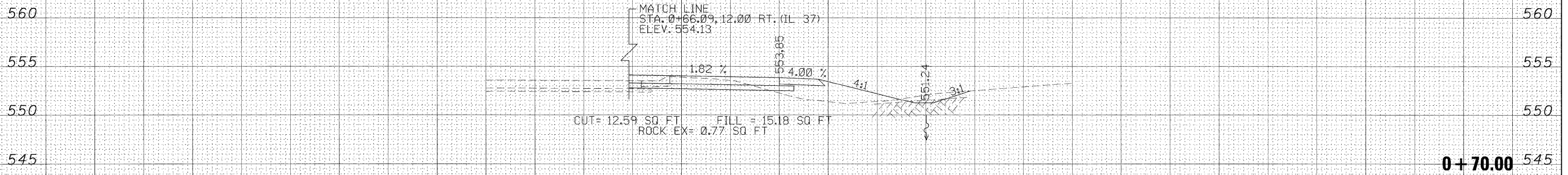


SE QUADRANT



DATE	
BY	
FINAL SURVEY	
SURVEYED	
PLOTTED	
NOTE BOOK	
TEMPLATE	
AREAS CHECKED	
NO.	

DATE	
BY	
ORIGINAL SURVEY	
SURVEYED	
PLOTTED	
NOTE BOOK	
TEMPLATE	
AREAS CHECKED	
NO.	

FILE NAME =
#FILEL*

USER NAME = #USER*
DESIGNED -
DRAWN -
PLOT SCALE = #SCALE*
CHECKED -
PLOT DATE = #DATE*
DATE -

REVISIED -
REVISIED -
REVISIED -
REVISIED -

STATE OF ILLINOIS
DEPARTMENT OF TRANSPORTATION

CROSS SECTIONS SOUTHEAST QUADRANT

SCALE: SHEET NO. OF SHEETS STA. +60.00 TO STA. +70.00

F.A. RTE.	SECTION	COUNTY	TOTAL SHEETS	SHEET NO.
148/37	113(N-1)	WILLIAMSON	91	86
CONTRACT NO. 78113				
ILLINOIS FED. AID PROJECT				