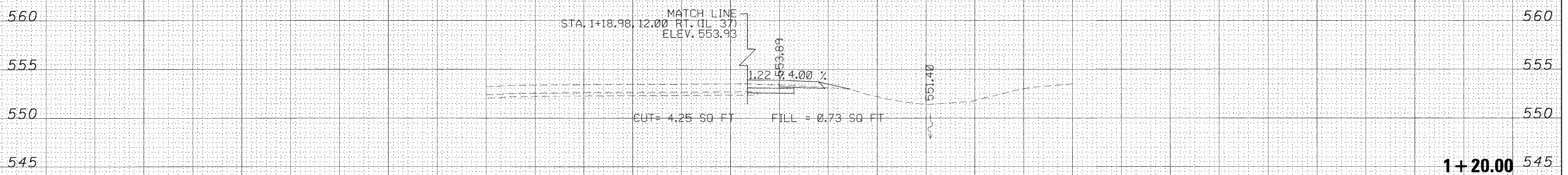
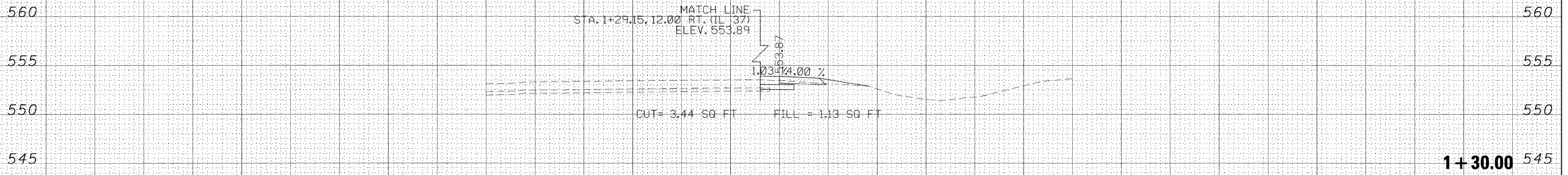


SE QUADRANT



DATE	
BY	
ORIGINAL SURVEY	
SURVEYED	
PLOTTED	
NOTE BOOK	
TEMPLATE	
AREAS CHECKED	
NO.	

DATE	
BY	
ORIGINAL SURVEY	
SURVEYED	
PLOTTED	
NOTE BOOK	
TEMPLATE	
AREAS CHECKED	
NO.	

FILE NAME = *FILEL*

USER NAME = *USER*

DESIGNED -

DRAWN -

CHECKED -

DATE -

REVISIED -

REVISIED -

REVISIED -

REVISIED -

STATE OF ILLINOIS
DEPARTMENT OF TRANSPORTATION

CROSS SECTIONS SOUTHEAST QUADRANT

SCALE: SHEET NO. OF SHEETS STA. 1+20.00 TO STA. 1+30.00

F.A. RTE. 148/37	SECTION 113(N-1)	COUNTY WILLIAMSON	TOTAL SHEETS 91	SHEET NO. 89
CONTRACT NO. 78113				
ILLINOIS FED. AID PROJECT				