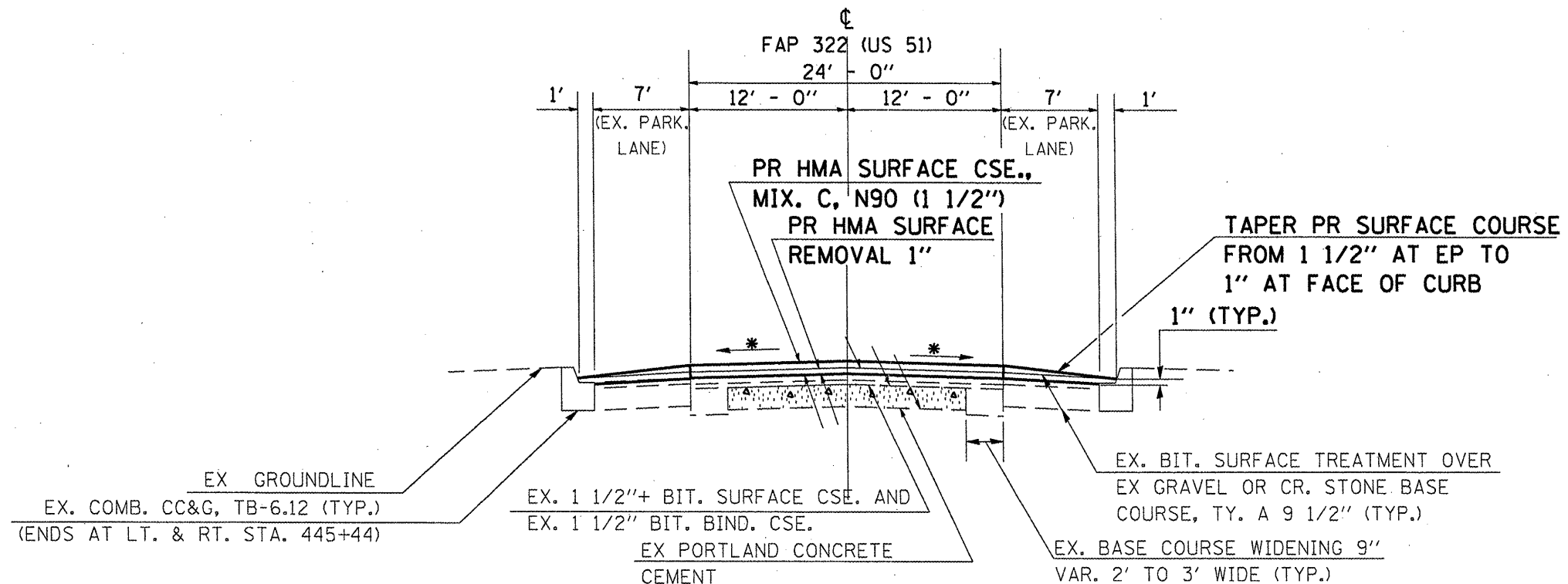
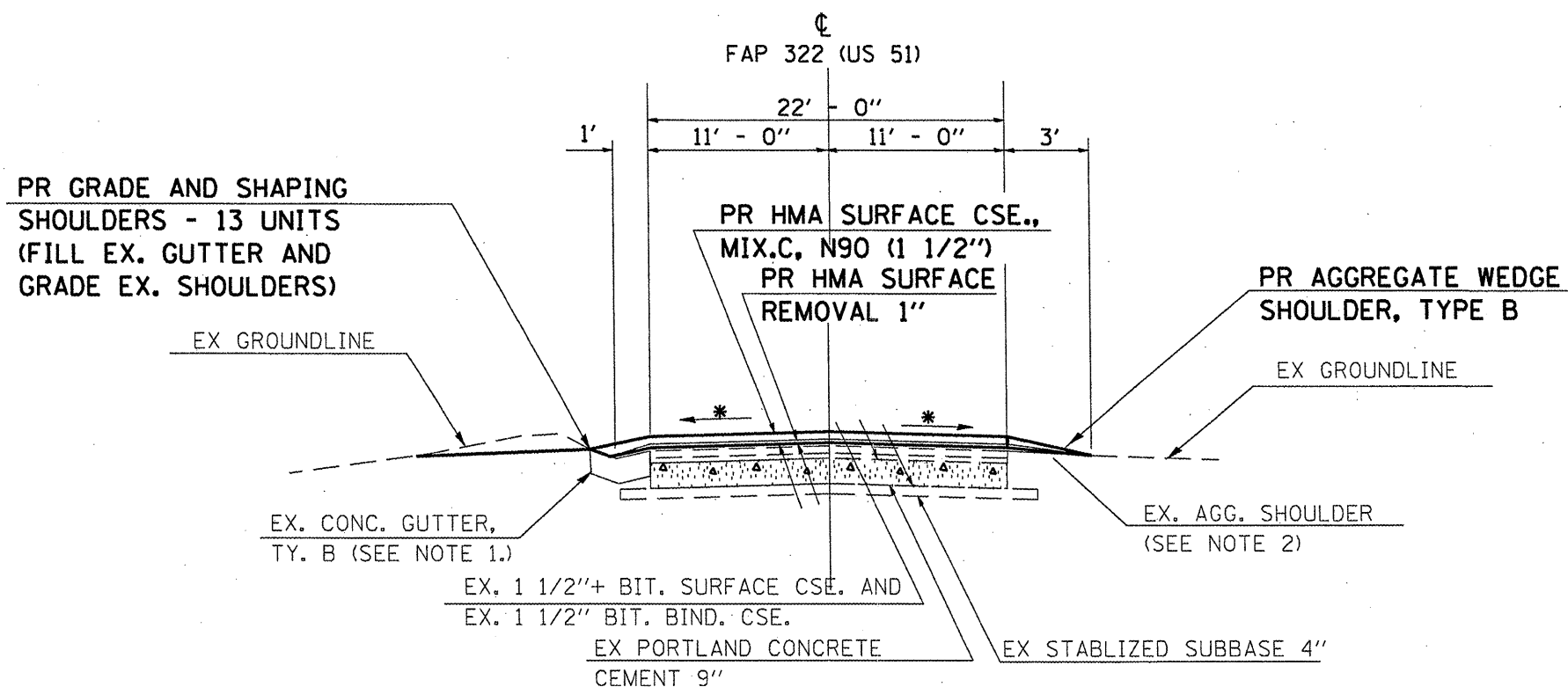


TYPICAL SECTIONS



TO BE USED:
STA. 401+66 TO STA. 445+92
(SEE EX. CONC. CURB & GUTTER NOTE
AT LEFT)

* Match Existing Slope



TO BE USED:
STA. 445+92 TO STA. 464+36.79

* Match Existing Slope

NOTE 1:
LOCATION OF EX. CONC. GUTTER, TY. B -
RT. STA. 447+00 TO RT. STA. 450+34
LT. STA. 454+49.19 TO LR. STA. 464+36.79

NOTE 2:
LOCATION OF EX. AGG. SHOULDER -
RT. STA. 445+92 TO RT. STA. 447+00
RT. STA. 450+34 TO RT. STA. 464+36.79
LT. STA. 445+92 TO LT. STA. 454+49.16

FILE NAME =	USER NAME = mcoardkr	DESIGNED -	REVISED -	STATE OF ILLINOIS DEPARTMENT OF TRANSPORTATION	TYPICAL SECTIONS	F.A.P. RTE. 322	SECTION 16-7185-3	COUNTY PEBBY	TOTAL SHEETS 37	SHEET NO. 6
ca:\pwork\VPWIDOT\MCCORDKR\0169663\78167-sht-pln.dgn		DRAWN -	REVISED -							
PLOT SCALE = 100.0000' / IN.		CHECKED -	REVISED -							
PLOT DATE = 2/3/2010		DATE -	REVISED -							
						SCALE: _____	SHEET NO. _____ OF _____ SHEETS	STA. _____ TO STA. _____	ILLINOIS FED. AID PROJECT	
						CONTRACT NO. 78167				