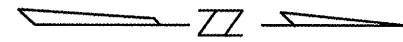
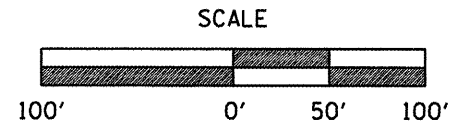
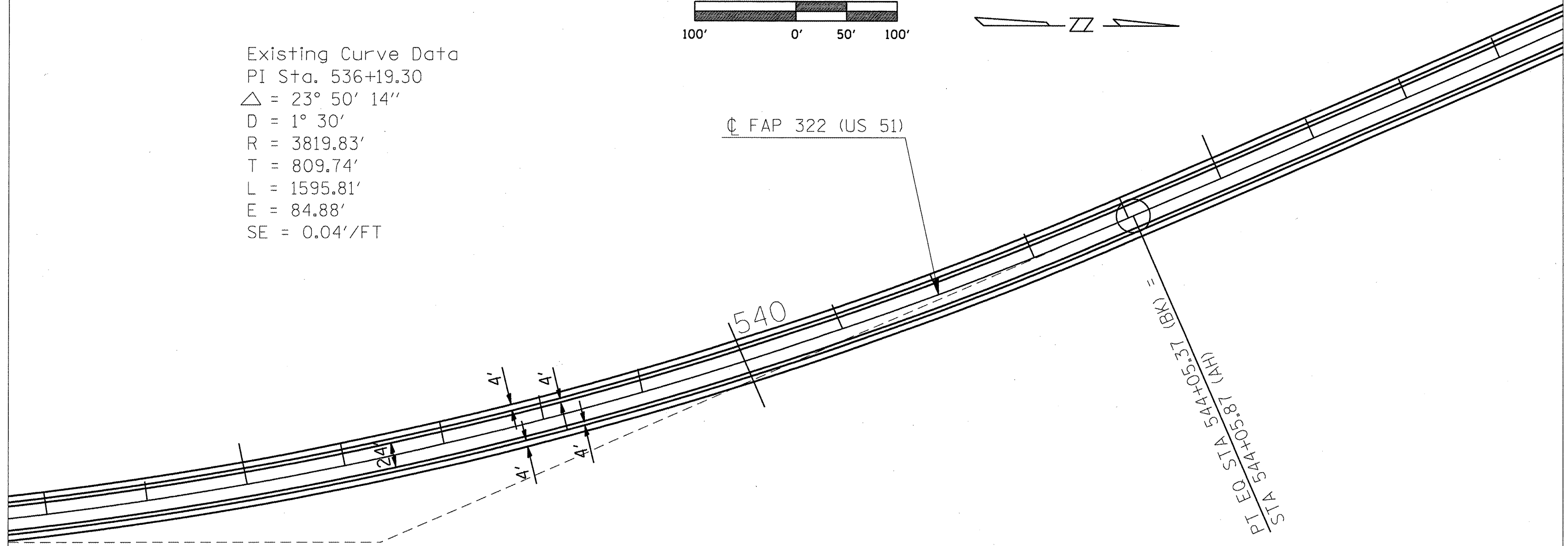


Existing Curve Data  
 PI Sta. 536+19.30  
 $\Delta = 23^\circ 50' 14''$   
 $D = 1^\circ 30'$   
 $R = 3819.83'$   
 $T = 809.74'$   
 $L = 1595.81'$   
 $E = 84.88'$   
 $SE = 0.04'/FT$



☉ FAP 322 (US 51)



NOTE:  
 FOR SIDE ROADS AND ENTRANCES,  
 SEE DETAIL, SHT. 34.

FILE NAME =  
 c:\p\work\p\WIDOT\MCCORDKR\d0169663\78

USER NAME = mcoordkr  
 57-sht-plan.dgn  
 PLOT SCALE = 100.0000' / IN.  
 PLOT DATE = 1/25/2010

DESIGNED -	---	REVISED -	-----
DRAWN -	---	REVISED -	-----
CHECKED -	---	REVISED -	-----
DATE -	---	REVISED -	-----

STATE OF ILLINOIS  
 DEPARTMENT OF TRANSPORTATION

PLAN LAYOUT  
 STA. 532 ± 50 TO STA. 549 ± 00  
 SCALE: SHEET NO. OF SHEETS STA. TO STA.

F.A.P. RTE.	SECTION	COUNTY	TOTAL SHEETS	SHEET NO.
322	16:785-3	PEBBY	37	29
CONTRACT NO. 78167				
ILLINOIS FED. AID PROJECT				