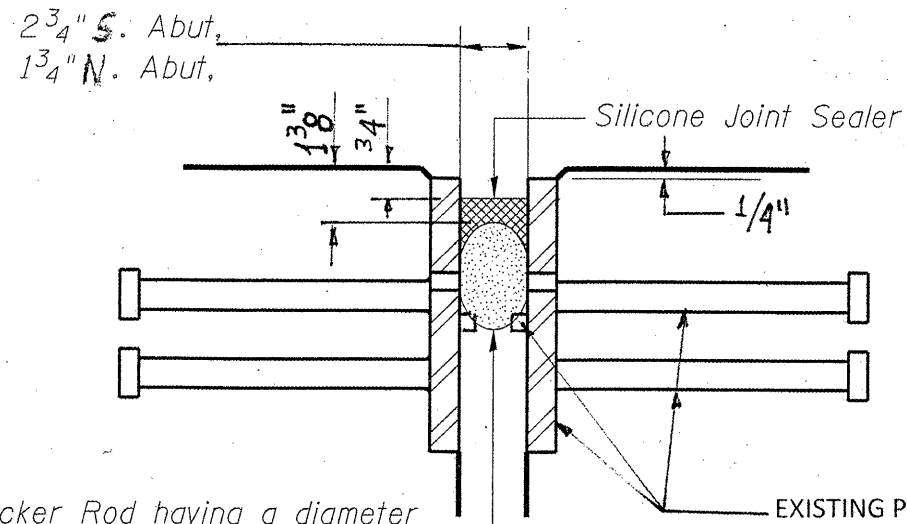
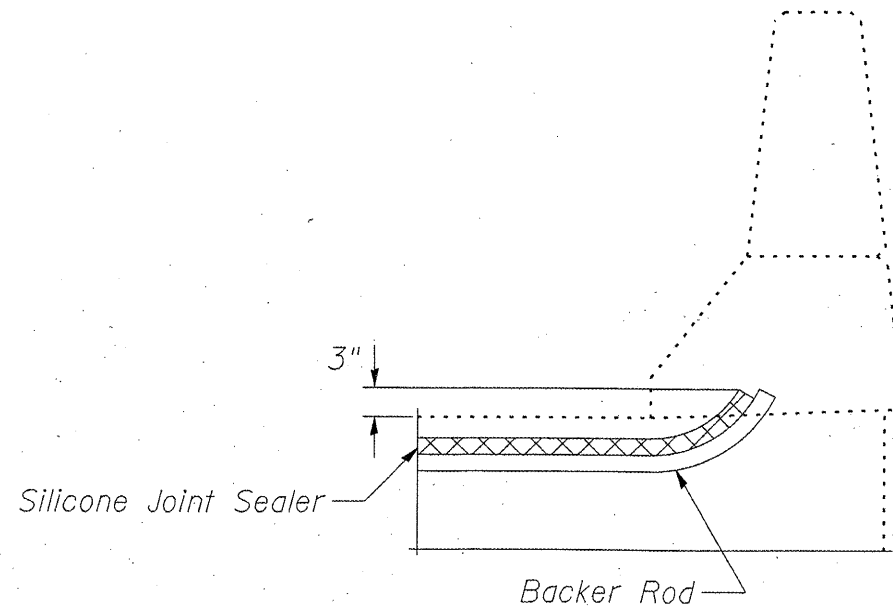


SILICONE JOINT SEALER DETAIL



Backer Rod having a diameter
25% greater than the joint
opening at the time of installation.

Cost of removing the existing PJS is included
with the cost of Silicone Joint Sealer.



END OF SEAL TREATMENT

FILE NAME = #FILE#	USER NAME = #USER#	DESIGNED -	REVISED -
		DRAWN -	REVISED -
		CHECKED -	REVISED -
		DATE -	REVISED -

STATE OF ILLINOIS
DEPARTMENT OF TRANSPORTATION

SILICONE JOINT SEALER AND PARAPET DETAILS

SCALE: SHEET NO. OF SHEETS STA. TO STA.

F.A.I. RTE. 57	SECTION	COUNTY	TOTAL SHEETS	SHEET NO.
			98	97
CONTRACT NO. 78175				

ILLINOIS FED. AID PROJECT

** D9 RUBBLIZATION FY 10-1

FRANKLIN, WILLIAMSON