

**GENERAL NOTES**

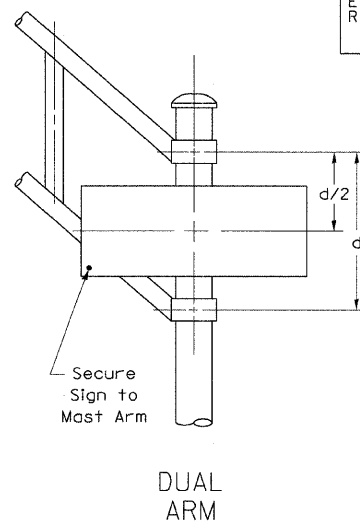
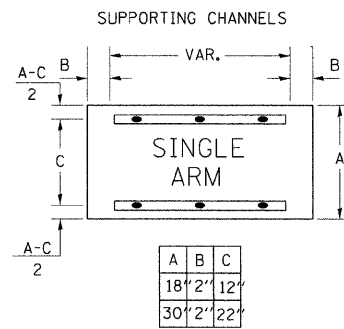
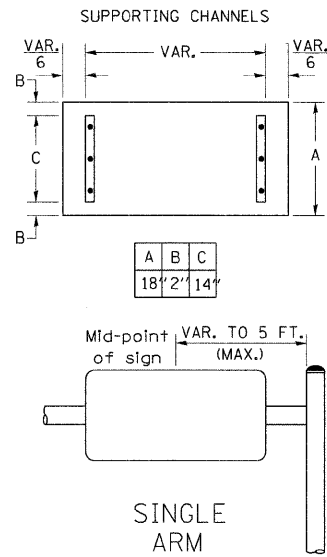
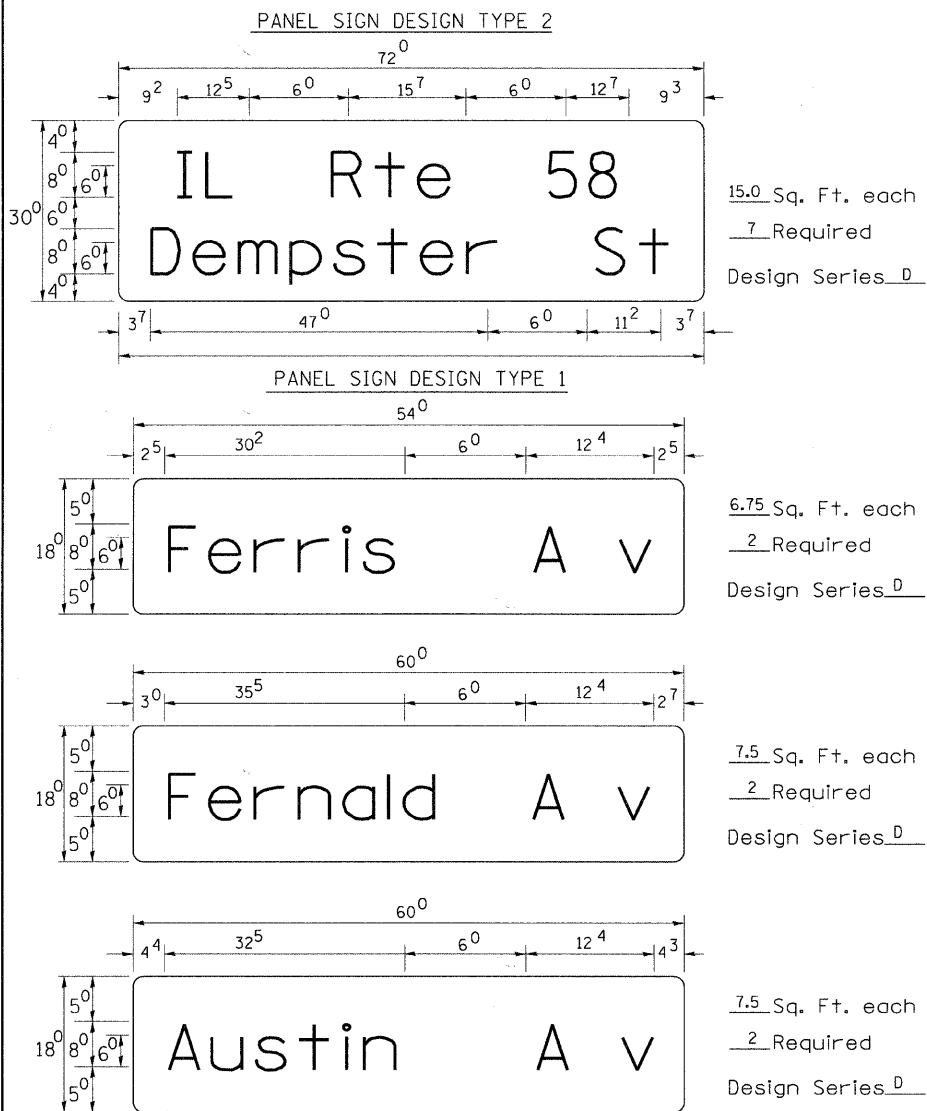
- WHERE MAST ARM MOUNTED STREET NAME SIGNS ARE SPECIFIED, THE ARM ASSEMBLY AND POLES SHALL BE DESIGNED TO SUPPORT THE LOADINGS CALLED FOR ON STANDARDS 834001, 834006 AND 834011, AS APPLICABLE, PLUS TWO (2) SIGN PANELS 2'-6" X 6'-0" MOUNTED AS SHOWN. THE DESIGN SHALL BE IN ACCORDANCE WITH THE REQUIREMENTS OF THE CURRENT "STANDARD SPECIFICATIONS FOR STRUCTURAL SUPPORTS FOR HIGHWAY SIGNS, LUMINAIRES, AND TRAFFIC SIGNALS" AS PUBLISHED BY THE AMERICAN ASSOCIATION OF STATE HIGHWAY AND TRANSPORTATION OFFICIALS FOR 80 M.P.H. WIND VELOCITY.
- ALL SIGNS SHALL HAVE A WHITE REFLECTORIZED LEGEND AND BORDER ON A GREEN REFLECTORIZED BACKGROUND, TYPE A SHEETING.
- THE SIGN LENGTH SHOULD BE INCREASED IN 6-INCH INCREMENTS, BUT THE OVERALL LENGTH SHOULD NOT EXCEED 6'-0".
- ALL BORDERS SHALL BE 3/4" WIDE AND CORNER RADIUS SHALL BE 2-1/4".
- SIGNFIX ALUMINUM CHANNEL FRAMING SYSTEM SHALL BE USED FOR ALL SIGNS ATTACHED TO SIGNAL PLOES AND POSTS. LOCAL SUPPLIERS OF THE SIGNFIX ALUMINUM CHANNEL FRAMING SYSTEM ARE:

- A.K.T. CORPORATION
- SCHAUMBURG, IL
- TUCKER COMPANY, INC.
- WAUWATOSA, WI
- AMERICAN FABRICATION CO.
- CHICAGO HEIGHTS, IL
- WESTERN TRAFFIC CONTROL INC.
- CICERO, IL

**PARTS LISTING:**

- SIGN CHANNEL PART #HPN053 (MED. CHANNEL)
  - SIGN SCREWS 1/4" X 14 X 1" H.W.H. #3
  - SELF TAPPING WITH NEOPREEM WASHER
  - BRACKETS PART #HPN034 (UNIVERSAL)
  - CHANNEL CLAMPS WITH STAINLESS STEEL STRAPPING
- OTHER BRANDS OF MOUNTING HARDWARE ARE ACCEPTABLE, BASED UPON THE DEPARTMENT'S APPROVAL AND COMPATIBILITY WITH THE CHANNEL/BRACKET OF THE PRODUCT.

NOTE: SIGN DIMENSIONS ARE IN ENGLISH UNITS.



Upper Case To Lower Case  
 Spacing Chart 8-6 Inch Series "C & D"

SERIES	SECOND LETTER																											
	a		c		d		e		bhikl		f		w		j		s		t		v		y		x		z	
	C	D	C	D	C	D	C	D	C	D	C	D	C	D	C	D	C	D	C	D	C	D	C	D	C	D	C	D
A W X	12	14	14	15	12	14	06	10	11	14	06	10	11	14	06	10	11	14	06	10	11	14	06	10	11	14	06	10
B	14	15	20	21	14	15	11	12	14	15	12	14	15	12	14	15	12	14	15	12	14	15	12	14	15	12	14	
C E G	14	15	20	21	12	14	06	10	12	14	12	14	14	15	14	15	14	15	14	15	14	15	14	15	14	15	14	15
DO QR	14	15	20	21	14	15	06	10	12	14	12	14	14	15	14	15	14	15	14	15	14	15	14	15	14	15	14	15
F	05	06	14	15	06	10	05	06	06	10	06	10	06	10	06	10	06	10	06	10	06	10	06	10	06	10	06	10
H IM N	20	21	22	24	20	21	14	15	16	17	16	17	20	21	20	21	20	21	20	21	20	21	20	21	20	21	20	21
J U	20	21	20	21	16	17	14	15	16	17	16	17	16	17	16	17	16	17	16	17	16	17	16	17	16	17	16	17
K L	11	12	16	17	11	12	05	06	11	12	11	12	11	12	11	12	11	12	11	12	11	12	11	12	11	12	11	12
P	12	14	14	15	12	14	05	06	11	12	11	12	12	14	12	14	12	14	12	14	12	14	12	14	12	14	12	14
S	12	14	16	17	12	14	06	10	12	14	12	14	12	14	12	14	12	14	12	14	12	14	12	14	12	14	12	14
T	11	12	16	17	06	10	06	10	11	12	11	12	11	12	11	12	11	12	11	12	11	12	11	12	11	12	11	12
V	06	10	14	15	11	12	06	10	12	14	12	14	12	14	12	14	12	14	12	14	12	14	12	14	12	14	12	14
Y	05	06	14	15	06	10	05	06	05	07	05	06	06	10	11	12	11	12	11	12	11	12	11	12	11	12	11	12
Z	16	17	22	24	16	17	12	14	16	17	16	17	16	17	16	17	16	17	16	17	16	17	16	17	16	17	16	17

Lower Case To Lower Case  
 Spacing Chart 6 Inch Series "C & D"

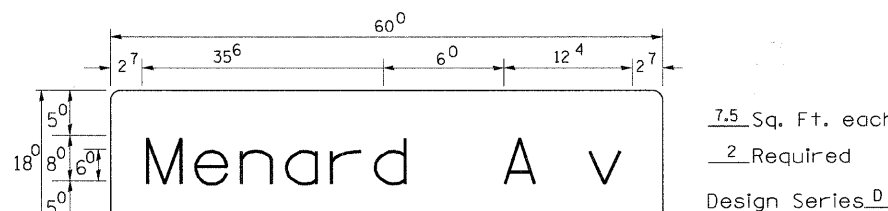
SERIES	SECOND LETTER																											
	a		c		d		e		bhikl		f		w		j		s		t		v		y		x		z	
	C	D	C	D	C	D	C	D	C	D	C	D	C	D	C	D	C	D	C	D	C	D	C	D	C	D	C	D
adghj	16	17	22	24	16	17	12	14	14	15	14	15	16	17	16	17	16	17	16	17	16	17	16	17	16	17	16	17
imngu	12	14	16	17	11	12	05	06	11	12	11	12	12	14	12	14	12	14	12	14	12	14	12	14	12	14	12	14
bfkops	12	14	16	17	12	14	06	10	12	14	12	14	12	14	12	14	12	14	12	14	12	14	12	14	12	14	12	14
ce	12	14	16	17	12	14	06	10	12	14	12	14	12	14	12	14	12	14	12	14	12	14	12	14	12	14	12	14
r	06	10	12	14	06	10	03	03	05	06	05	06	06	10	06	10	06	10	06	10	06	10	06	10	06	10	06	10
tz	12	14	16	17	12	14	06	10	11	12	11	12	12	14	12	14	12	14	12	14	12	14	12	14	12	14	12	14
vy	11	12	14	15	11	12	05	06	06	10	06	10	11	12	11	12	11	12	11	12	11	12	11	12	11	12	11	12
w	11	12	14	15	11	12	05	06	11	12	11	12	11	12	11	12	11	12	11	12	11	12	11	12	11	12	11	12
x	12	14	16	17	11	12	05	06	11	12	11	12	11	12	11	12	11	12	11	12	11	12	11	12	11	12	11	12

Number To Number  
 Spacing Chart 8 Inch Series "C & D"

SERIES	SECOND NUMBER																			
	0		1		2		3		4		5		6		7		8		9	
	C	D	C	D	C	D	C	D	C	D	C	D	C	D	C	D	C	D	C	D
09	16	17	16	17	14	15	12	14	14	15	14	15	16	17	12	14	16	17	16	17
1	20	21	20	21	20	21	16	17	14	15	20	21	20	21	14	15	20	21	20	21
234	14	15	14	15	14	15	12	14	12	14	14	15	14	15	11	12	16	17	14	15
5	14	15	14	15	14	15	11	12	11	12	14	15	14	15	11	12	14	15	14	15
6	16	17	14	15	14	15	12	15	12	14	14	15	14	15	11	12	14	15	14	15
7	12	14	12	14	14	15	12	15	15	06	12	14	14	15	11	12	14	15	12	14
8	16	17	16	17	14	15	12	15	12	14	14	15	16	17	12	14	16	17	14	15

NUMBER	6 INCH SERIES		8 INCH SERIES	
	C	D	C	D
1	12	14	15	20
2	32	40	43	53
3	32	40	43	53
4	35	43	47	57
5	32	40	43	53
6	32	40	43	53
7	32	40	43	53
8	32	40	43	53
9	32	40	43	53
0	34	42	45	55

SIGNFIX ALUMINUM CHANNEL FRAMING SYSTEM shall be used. See Note #5



REVISIONS	
NAME	DATE

ILLINOIS DEPARTMENT OF TRANSPORTATION  
 IL RTE 58 (DEMPSTER ST) IMPROVEMENTS  
**MAST ARM MOUNTED STREET NAME SIGNS**

SCALE: N.T.S. DRAWN BY: BA  
 DATE: 10-16-09 CHECKED BY: RY

**McDonough Associates Inc.**  
 Engineers / Architects