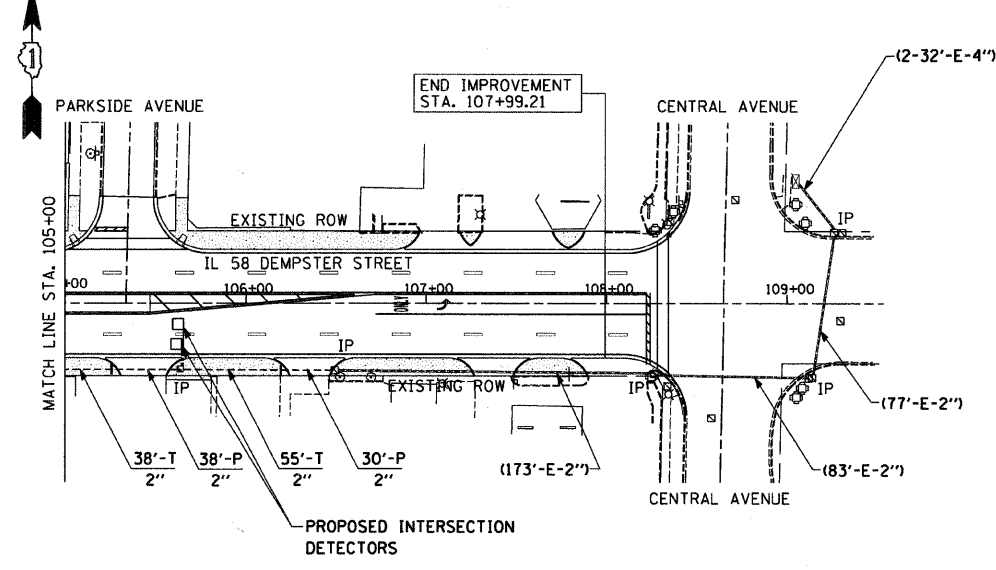
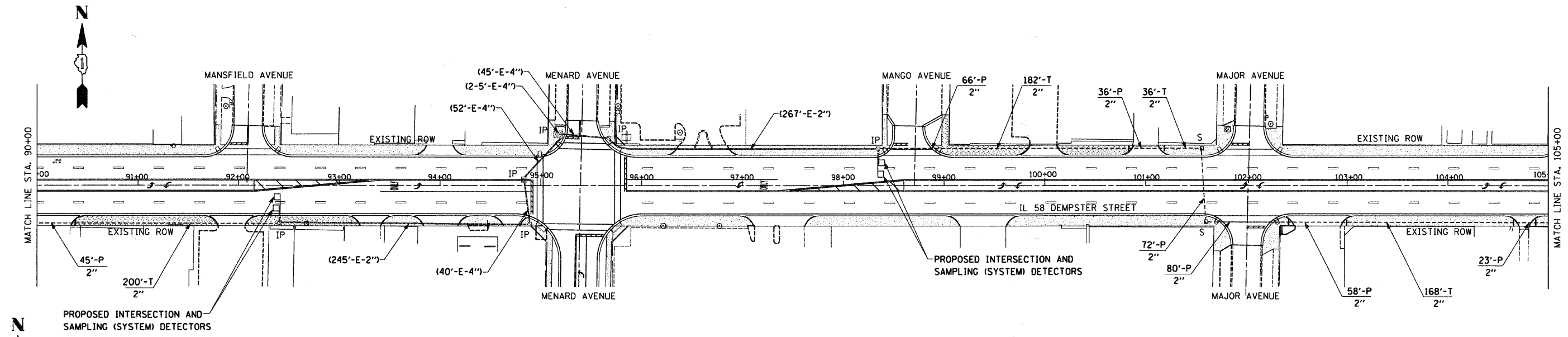
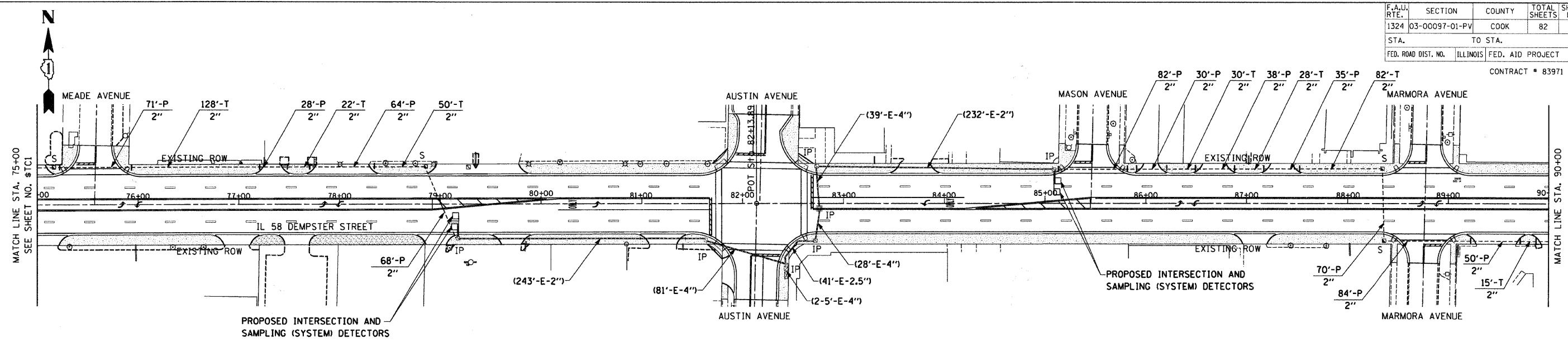


F.A.U. RTE.	SECTION	COUNTY	TOTAL SHEETS	SHEET NO.
1324	03-00097-01-PV	COOK	82	49
STA.	TO STA.			
FED. ROAD DIST. NO.	ILLINOIS	FED. AID PROJECT		

CONTRACT # 83971



INTERCONNECT PLAN LEGEND

	PROPOSED	EXISTING
CONTROLLER	[Symbol]	[Symbol]
HANDHOLE	[Symbol]	[Symbol]
DOUBLE HANDHOLE	[Symbol]	[Symbol]
HEAVY DUTY HANDHOLE	[Symbol]	[Symbol]
G.S. CONDUIT IN TRENCH (T) OR PUSHED (P)	[Symbol]	[Symbol]
DETECTOR LOOP	[Symbol]	[Symbol]
UNIT DUCT	UD	
SYSTEM	S	
INTERSECTION	IP	I

THE TRAFFIC CONTROL EQUIPMENT FOR THIS PROJECT SHALL BE "ECONOLITE" TO MATCH EXISTING ADJACENT SYSTEM.

REVISIONS	
NAME	DATE

ILLINOIS DEPARTMENT OF TRANSPORTATION  
 IL RTE 58 (DEMPSTER ST) IMPROVEMENTS  
**INTERCONNECT PLAN**

SCALE: 1" = 50'  
 DATE: 10-16-09

DRAWN BY: NKU  
 CHECKED BY: RY

**McDonough Associates Inc.**  
 Engineers / Architects