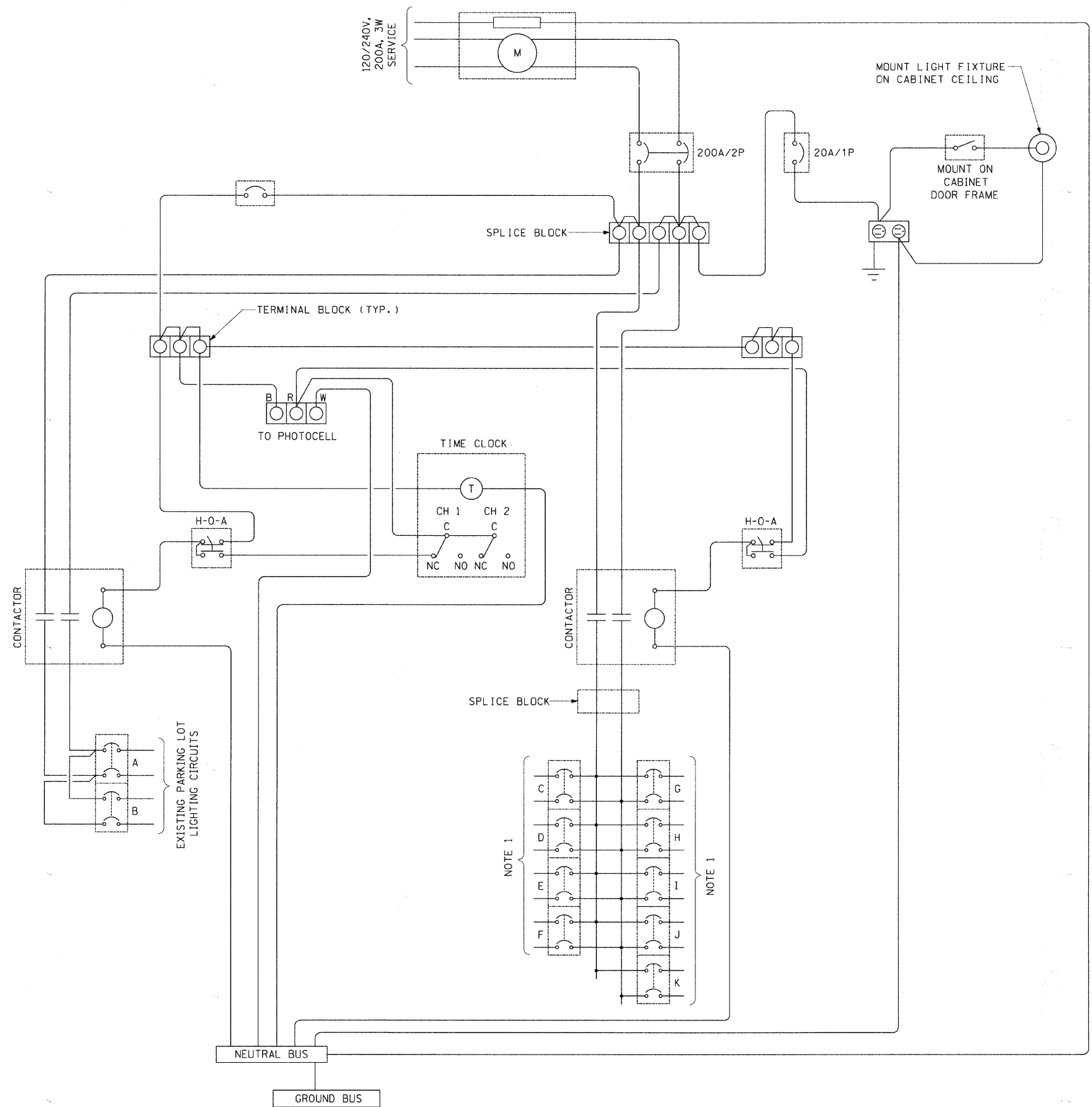
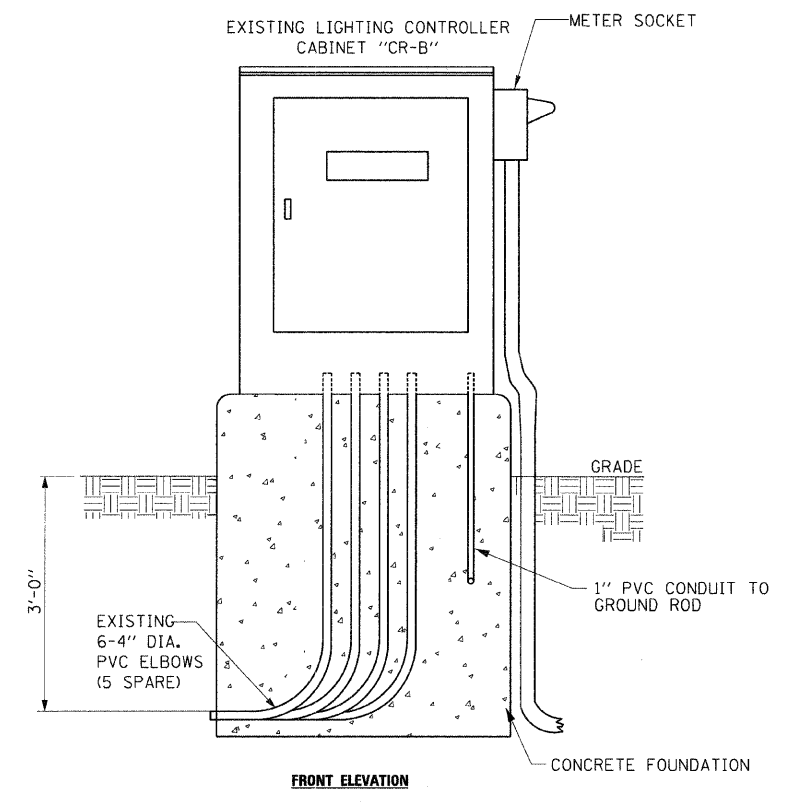


E.A. J. RTE.	SECTION	COUNTY	TOTAL SHEETS	SHEET NO.
1324	03-00097-01-PV	COOK	82	68
STA. _____ TO STA. _____		FED. ROAD DIST. NO. ILLINOIS FED. AID PROJECT		
CONTRACT # 83971				



1 EXISTING LIGHTING CONTROLLER "CR-B" WIRING DIAGRAM
N.T.S.

- NOTES:
1. SPARE, 2P, 240V, 30A CIRCUIT BREAKERS FOR PROPOSED DEMPSTER STREET ROADWAY LIGHTING CIRCUITS



2 EXISTING LIGHTING CONTROLLER "CR-B"
N.T.S.

REVISIONS	
NAME	DATE

ILLINOIS DEPARTMENT OF TRANSPORTATION
IL RTE 58 (DEMPSTER ST) IMPROVEMENTS
EXISTING LIGHTING CONTROLLER
"CR-B" DETAILS

SCALE: N.T.S. DATE: 10-16-09
DRAWN BY: _____ CHECKED BY: _____

McDonough Associates Inc.
Engineers / Architects