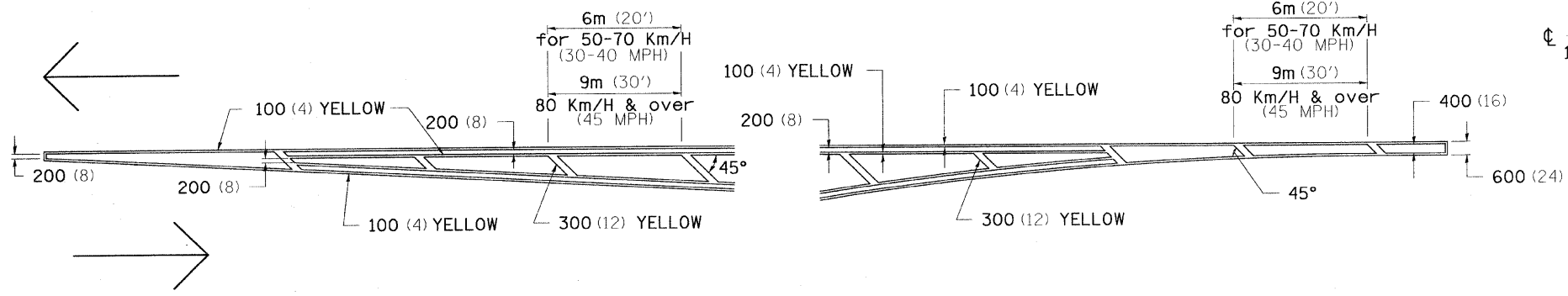
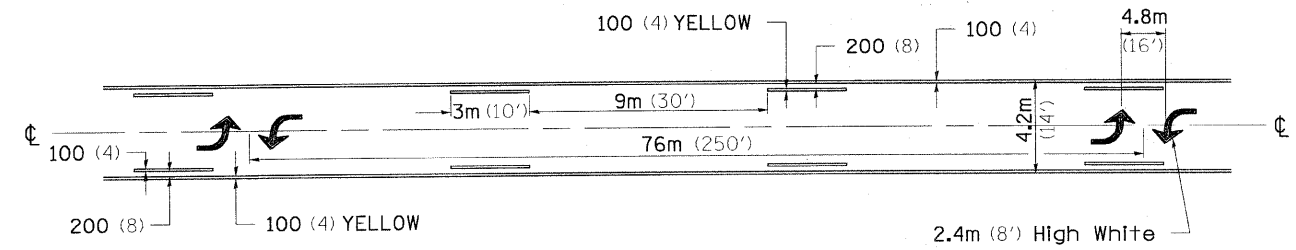


TYPICAL PAVEMENT MARKINGS

TYPICAL PAVEMENT MARKING FOR FLUSH MEDIAN AT LEFT TURN LANE

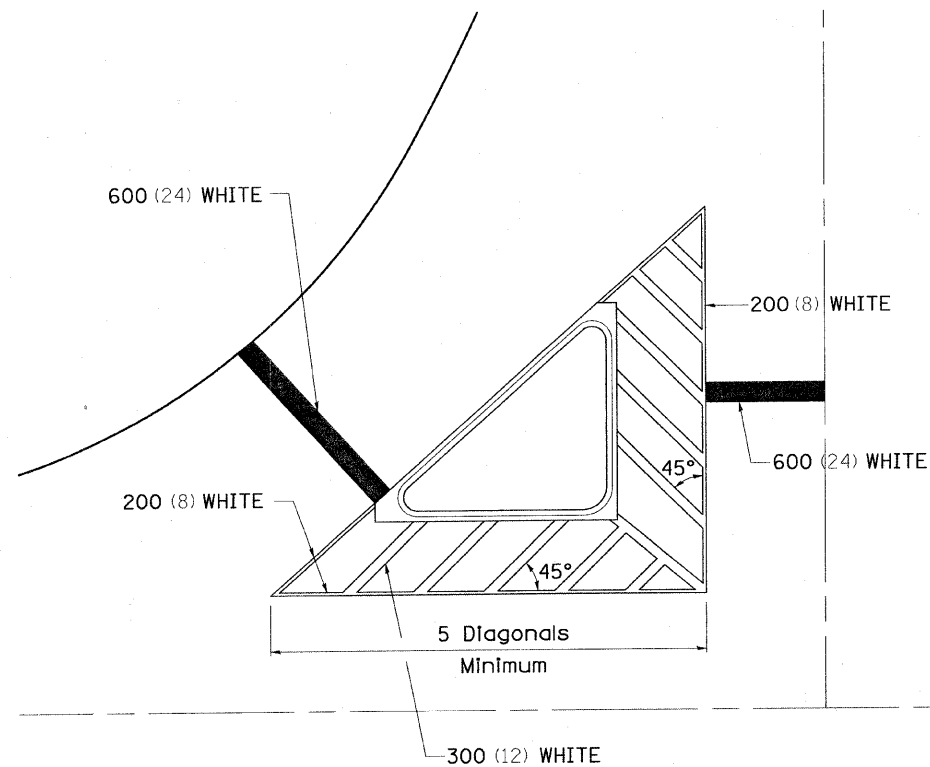


MEDIAN PAVEMENT MARKING

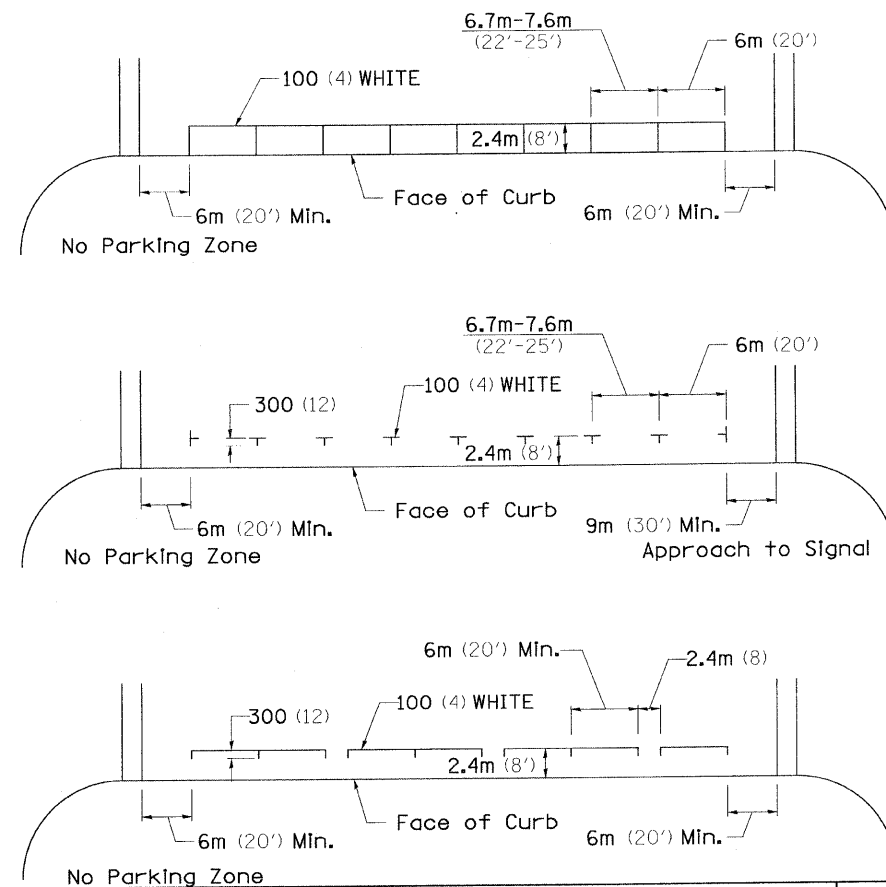


** ALL DIMENSIONS ARE IN MILLIMETERS (INCHES) UNLESS OTHERWISE NOTED.

TYPICAL ISLAND OFFSET SHOULDER WIDTH

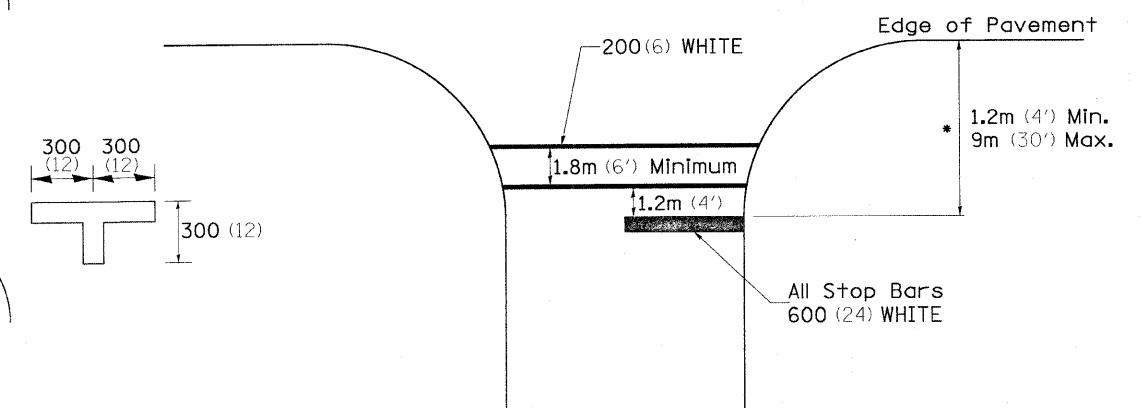


TYPICAL PARKING SPACING



STANDARD CROSSWALK MARKING

See Schedules for Locations



* Distance to the nearest edge of the intersecting roadway in the absence of a marked crosswalk.

FILE NAME = L:\Jobs\2009\09\1024\F09_5terling\16th Avenue\16th Ave Final Layout 10.28.09.dgn

WILLET, HOFMANN & ASSOCIATES, INC.
 CONSULTING ENGINEERS
 809 East Second Street, Dixon, IL 61021
 Phone 815.294.3381 Fax 815.294.3385
 Design Firm # 184-00918
 www.willett-hofmann.com

| | |
|-------------------|-----------|
| DESIGNED - BDF | REVISED - |
| DRAWN - JDH | REVISED - |
| CHECKED - BDF | REVISED - |
| DATE - 10/30/2009 | REVISED - |

CITY OF STERLING, ILLINOIS
AVENUE G AND 16TH AVENUE

TYPICAL PAVEMENT MARKINGS, DS 41.1

SCALE: SHEET NO. 28 OF 31 SHEETS

| | | | | |
|---|----------------|-----------|--------------------|-----------|
| F.A. RTE. | SECTION | COUNTY | TOTAL SHEETS | SHEET NO. |
| | 09-00147-00-RS | WHITESIDE | 31 | 28 |
| FED. ROAD DIST. NO. ILLINOIS FED. AID PROJECT | | | CONTRACT NO. 85495 | |