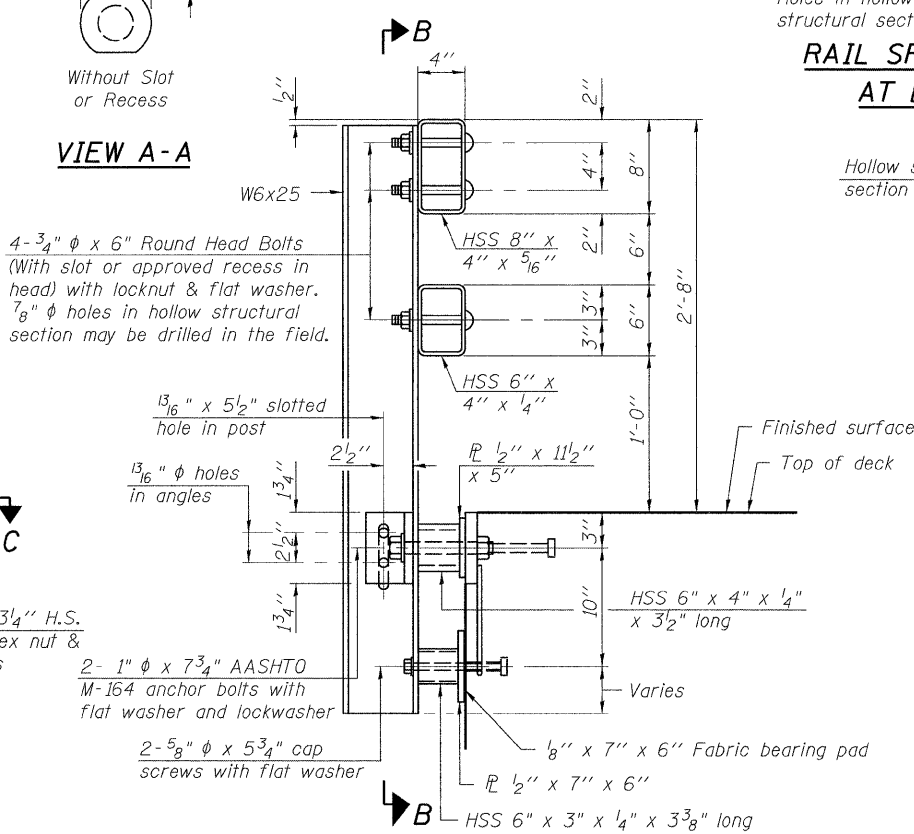
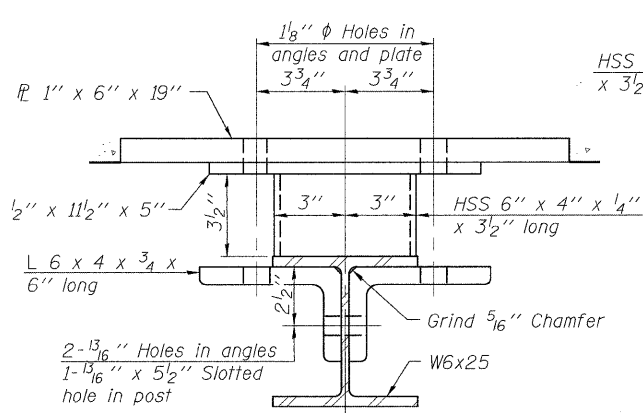


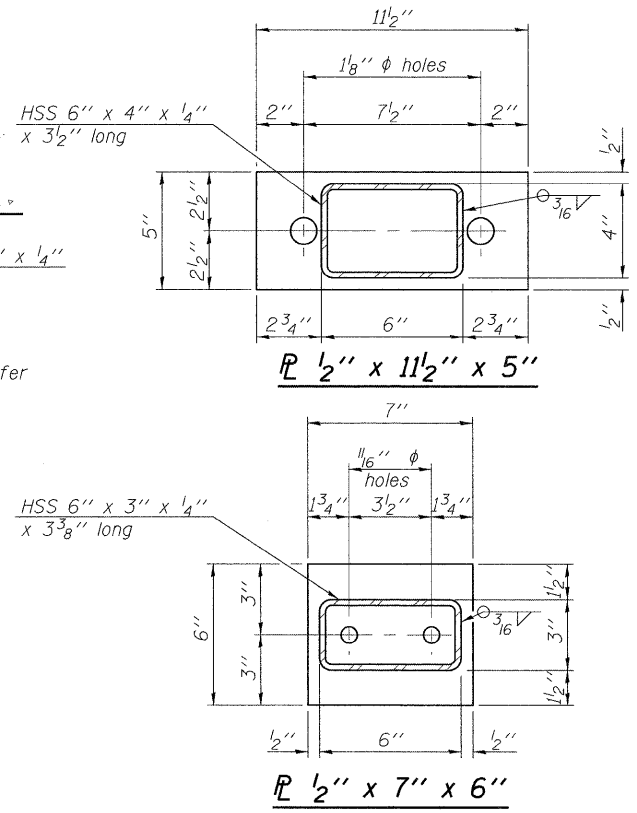
SECTION B-B



SECTION AT RAIL POST

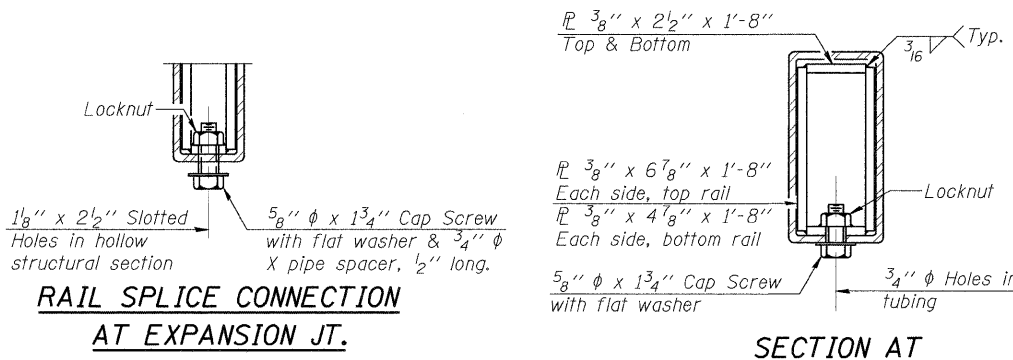


SECTION C-C

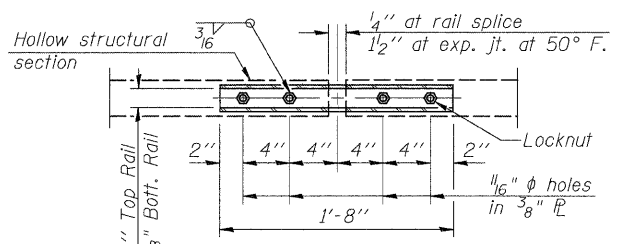


ANCHOR DEVICE

\* Threaded areas shall be plugged or blocked off during casting of beam. Galvanized after fabrication.

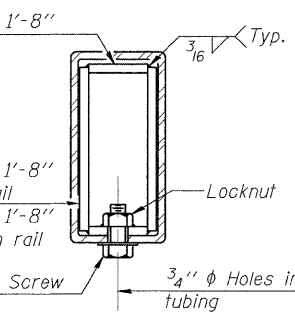


RAIL SPLICE CONNECTION AT EXPANSION JT.

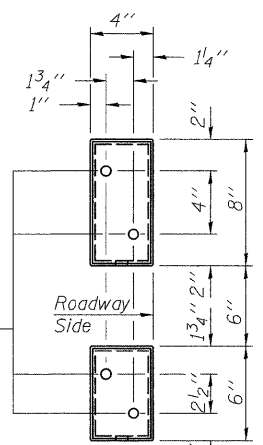


PLAN-BOTT. SPLICE TYPICAL

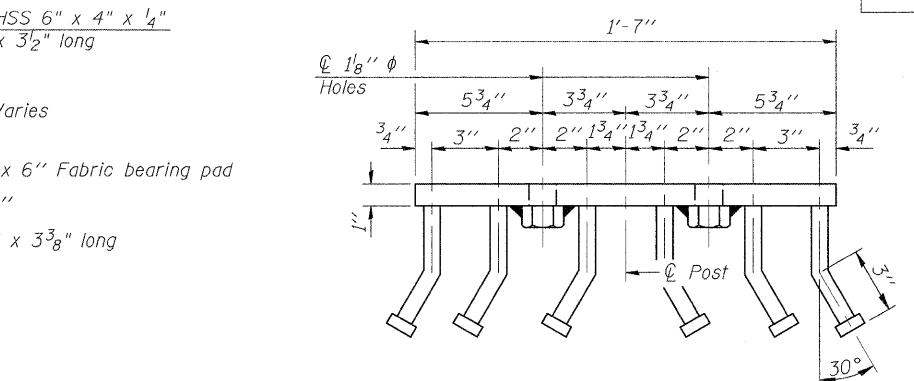
4 - 5/8" reduced base welded studs. Provide 4 - 5/8" washers and self-locking nuts or nuts and jam nuts for guardrail connection shown on Std. 631032



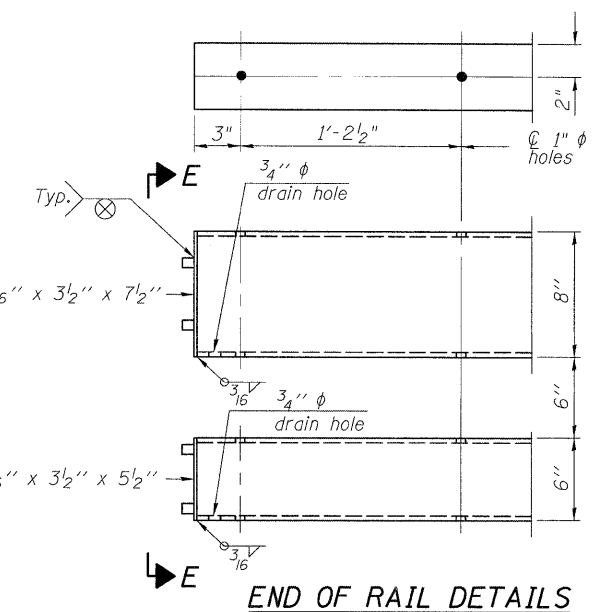
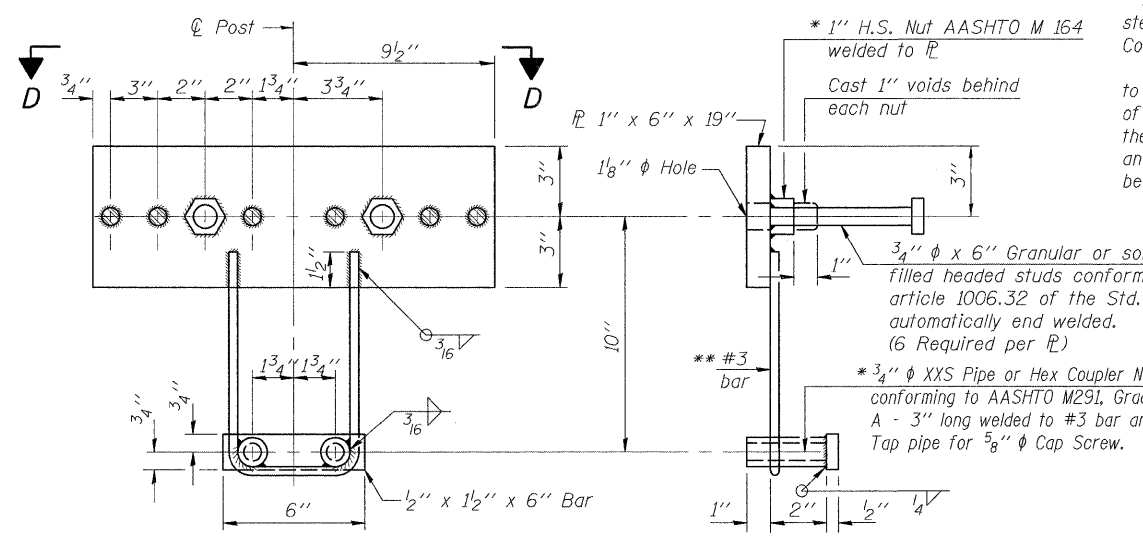
SECTION AT RAIL SPLICE



VIEW E-E



VIEW D-D



END OF RAIL DETAILS

NOTES

Hollow structural sections shall conform to the requirements of ASTM designation A 500 Grade B Structural Steel Tubing and shall meet the longitudinal CVN requirements of 15 ft-lbs at 0° F. All other steel shapes and plates shall conform to the requirements of AASHTO M 270 Grade 36 except posts and angles shall conform to AASHTO M 270, Grade 50. Bolts, cap screws, and nuts shall conform to the requirements of ASTM designation A 307 except for high strength bolts, nuts and washers noted which shall conform to AASHTO M 164. All bolts, nuts, cap screws, washers and lock washers shall be galvanized according to AASHTO M 232. All posts, railing, rail splices, anchor devices and angles shall be galvanized after shop fabrication according to AASHTO M 111 and ASTM A 385. Galvanized rail shall not be painted. Railing shall be according to Section 509 of the Standard Specifications, except as noted, and will be paid for at the contract unit price per foot for Steel Bridge Rail, Type SM. All field drilled holes shall be coated with an approved zinc rich paint before erection. For multi-span bridges, sufficient 1/4" x 6" x 1'-2" galvanized steel shims shall be provided to align rail between adjacent spans. Cost included with Steel Bridge Rail, Type SM. The 3/4" high strength bolts used to connect the 6 x 4 x 3/4 angles to the post shall be tightened according to Article 505.04(f)(2) of the Standard Specifications. The 1" high strength bolts connecting the angles to the concrete shall be tightened to a snug fit and given an additional 1/8 turn. The 5/8" cap screws in bottom of posts shall be tightened to a snug fit only.

BILL OF MATERIAL

Item	Unit	Quantity
Steel Railing (Special)	Foot	315

**STEEL BRIDGE RAIL - TYPE SM**  
**PERRYVILLE ROAD BRIDGE**  
**OVER SOUTH BRANCH KISHWAUKEE RIVER**  
**F.A.U. ROUTE 5148**  
**SECTION 08-00448-00-BR**  
**WINNEBAGO COUNTY**  
**STRUCTURE NUMBER 101-3064**  
**STATION 36+58.20**

09L0003	SECTION	COUNTY	TOTAL SHEETS	SHEET NO.
01/28/10	08-00448-00-BR	Winnebago	14	8
CONTRACT NO. 85509			FED. ROAD DIST. NO. 2 ILLINOIS FED. AID PROJECT	

01/27/2010  
 I:\05\Jobs\09L0003\Cadd\Struct\Steel\Rail.dgn  
 LAYOUT: SNK 01/28/10  
 DRAWN: JDM 01/28/10  
 REVIEWED: SNK 01/28/10



© Copyright Hanson Professional Services Inc. 2009