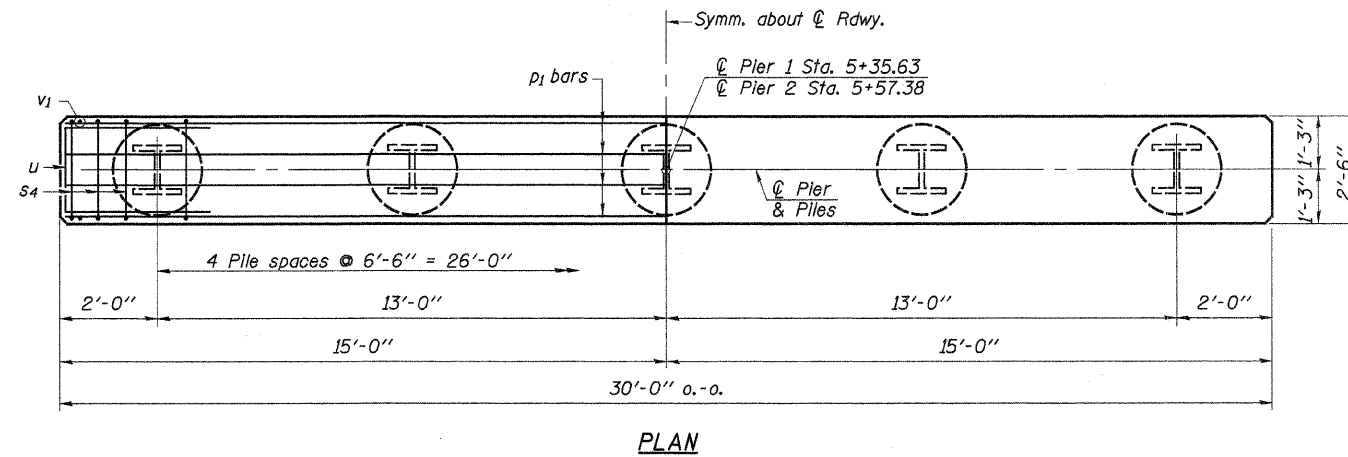


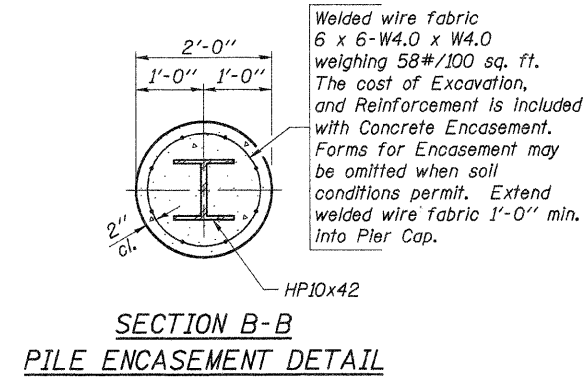
ROUTE NO.	SECTION	COUNTY	TOTAL SHEETS	SHEET NO.
C.H. 8	06-00098-01-BR	IROQUOIS	18	10
ROAD DIST.		ILLINOIS		

Sheet 6 of 9 CONTRACT NO. 87447

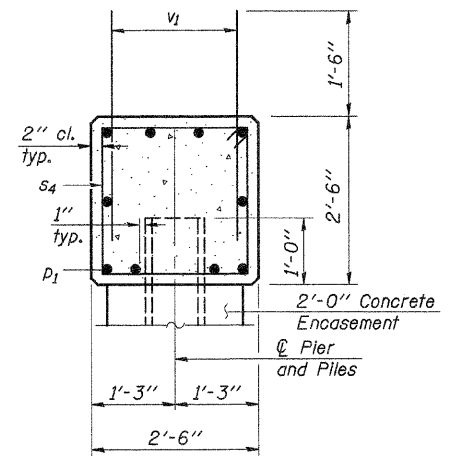
Note: All edges shall have standard 3/4" chamfer.



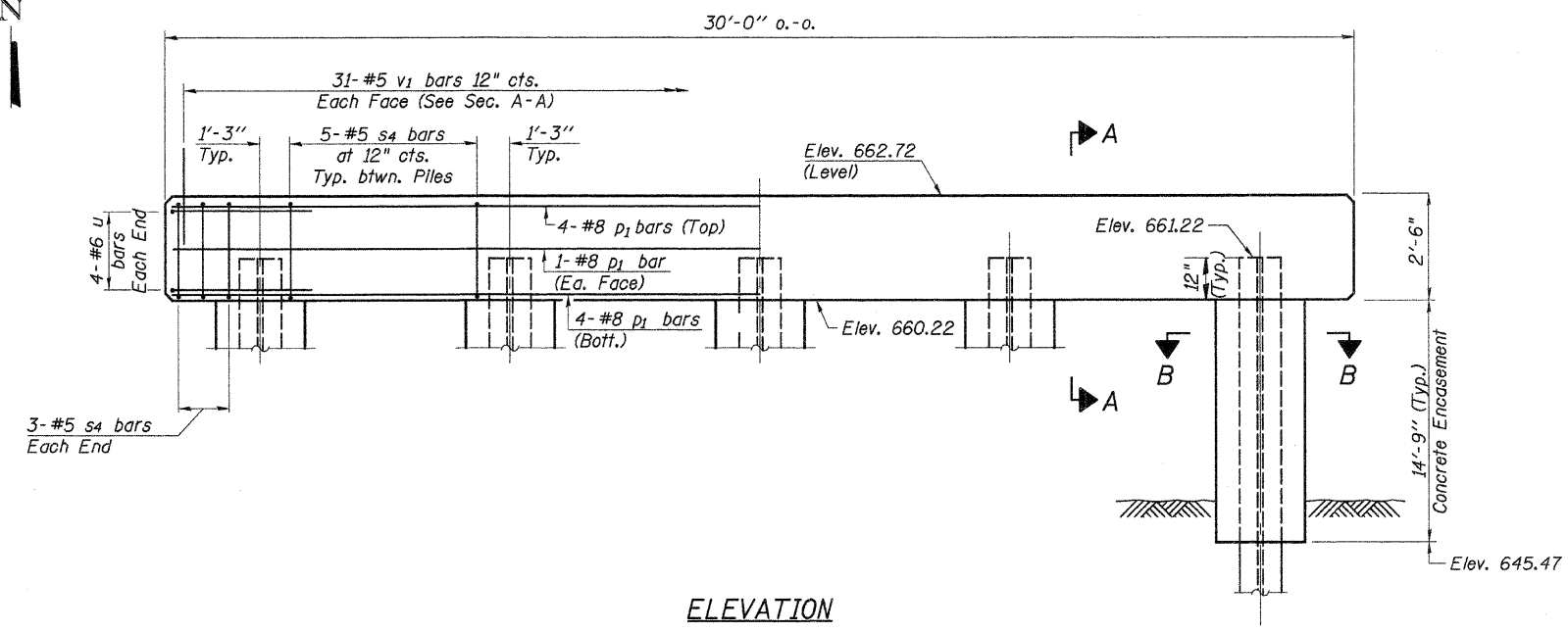
PLAN



SECTION B-B
PILE ENCASEMENT DETAIL



SECTION A-A



ELEVATION

PILE DATA

Type & Size.....Steel HP10x42
 No. Req'd.....*10
 Nominal Required Bearing.....260 kips
 Factored Resistance Available.....130 kips
 Estimated Length.....54 ft./pile

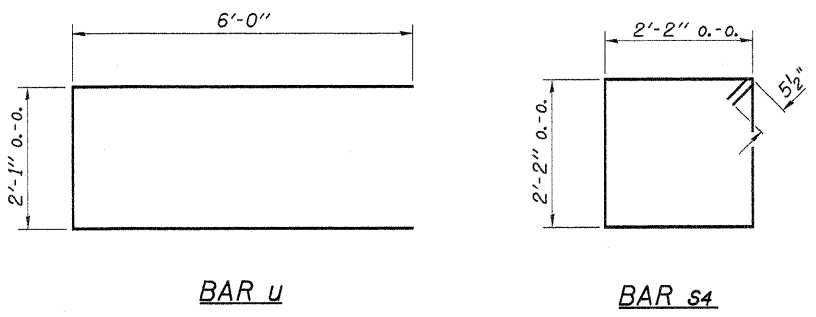
*Includes 1 Test Pile to be driven in a permanent location at the pier #2.
 The test piles shall be driven to 110 percent of the Nominal Required Bearing indicated above.

BILL OF MATERIAL - 2 PIERS

BAR	NO.	SIZE	LENGTH	SHAPE
p1	20	#8	29'-8"	—
s4	52	#5	9'-7"	□
u	16	#6	14'-1"	▭
v1	124	#5	3'-6"	—
Concrete Structures			Cu. Yd.	13.9
Reinforcement Bars, Epoxy Coated			Pound	2,900
Furnishing Steel Piles, HP10x42			Foot	486
Driving Piles			Foot	486
Test Pile, Steel HP10x42			Each	1
Underwater Structure Excavation Protection - Location 1			Each	1
Underwater Structure Excavation Protection - Location 2			Each	1
Concrete Encasement			Cu. Yd.	17.2
Protective Coat			Sq. Yd.	3

See Sheet 7 of 9 for Pile Details.

Note: All reinforcement bars shall be epoxy coated.



BAR u

BAR s4

DESIGNED	A.L.S.
CHECKED	A.R.K.
DRAWN	S.A.P.
CHECKED	A.R.K. & A.L.S.

PIERS
 COUNTY HIGHWAY 8
 SECTION 06-00098-01-BR
 IROQUOIS COUNTY
 STATION 5+46.50

4440 ASH GROVE SPRINGFIELD, IL 62711 (217) 793-8600 www.fehr-graham.com	FEHR-GRAHAM & ASSOCIATES, LLC ENGINEERING AND SCIENCE CONSULTANTS PROFESSIONAL ENGINEERS AND ARCHITECTS MEMBERS: I. IROQUOIS, I. ILLINOIS, I. MISSOURI, I. WISCONSIN	JOB NO.: 09-202 FILE: PIERS.DGN DATE: 10/23/09
--	--	--