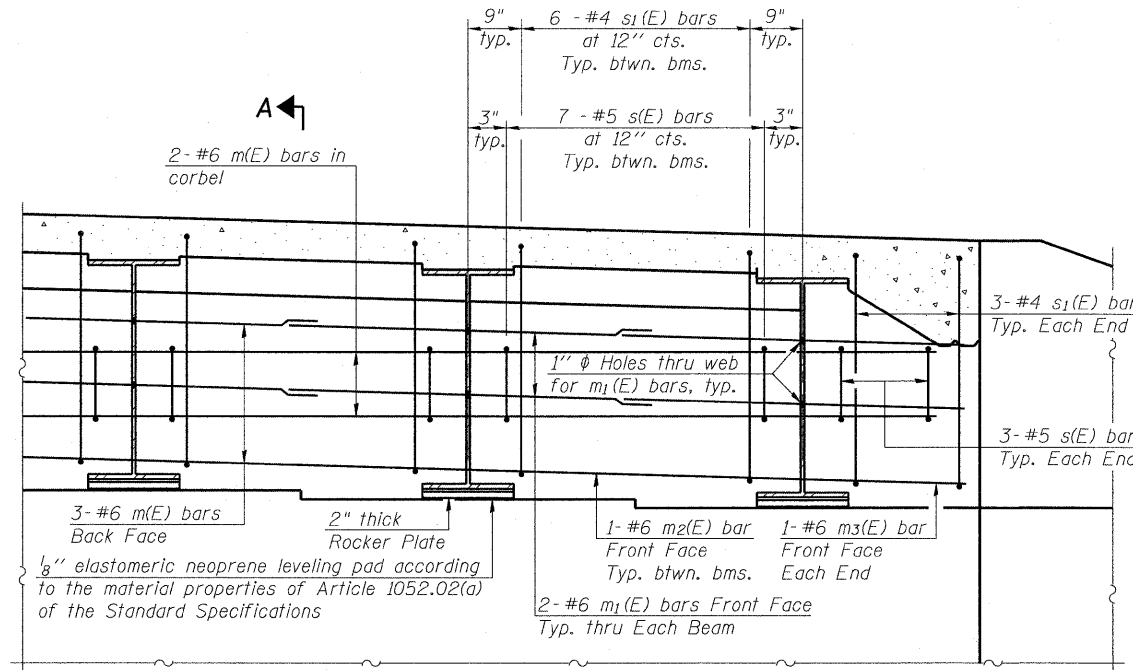
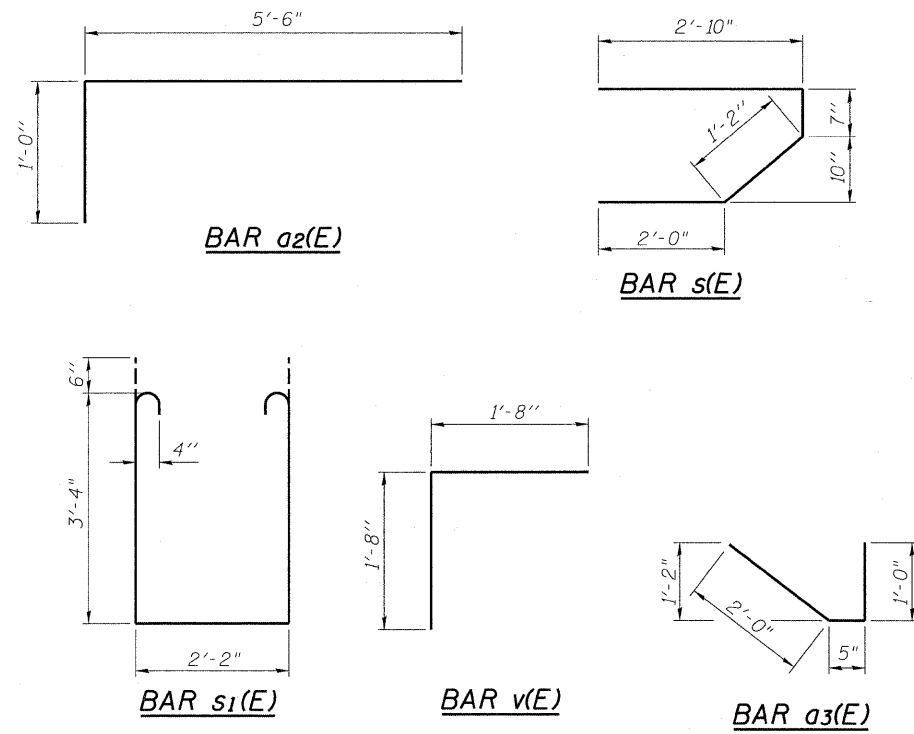


STATE OF ILLINOIS
DEPARTMENT OF TRANSPORTATION



DIAPHRAGM ELEVATION AT ABUTMENT

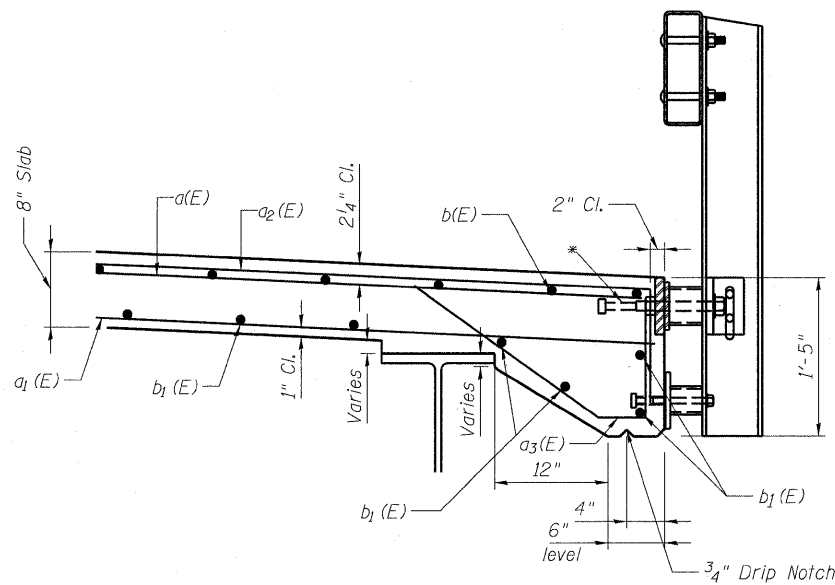
Notes:
Reinforcement bars in diaphragm are billed with superstructure.
Concrete in diaphragm is included with Concrete Superstructure.
The s(E) and s1(E) bars shall be placed parallel to the beams. Spacing for these bars shall be at right angles to the beams.
* Reinforcement bars in the top of the deck may be placed with 1/2" minimum clearance in the area of the rail post anchor devices. The studs of the anchor devices shall be placed below the top reinforcement bars and the outermost longitudinal reinforcement bar shall be placed directly above the studs of the rail post anchor device.
Protective coat shall be applied to the entire deck surface including sides.

MIN. BAR LAP
#5 bar = 2'-2"
#6 bar = 2'-9"

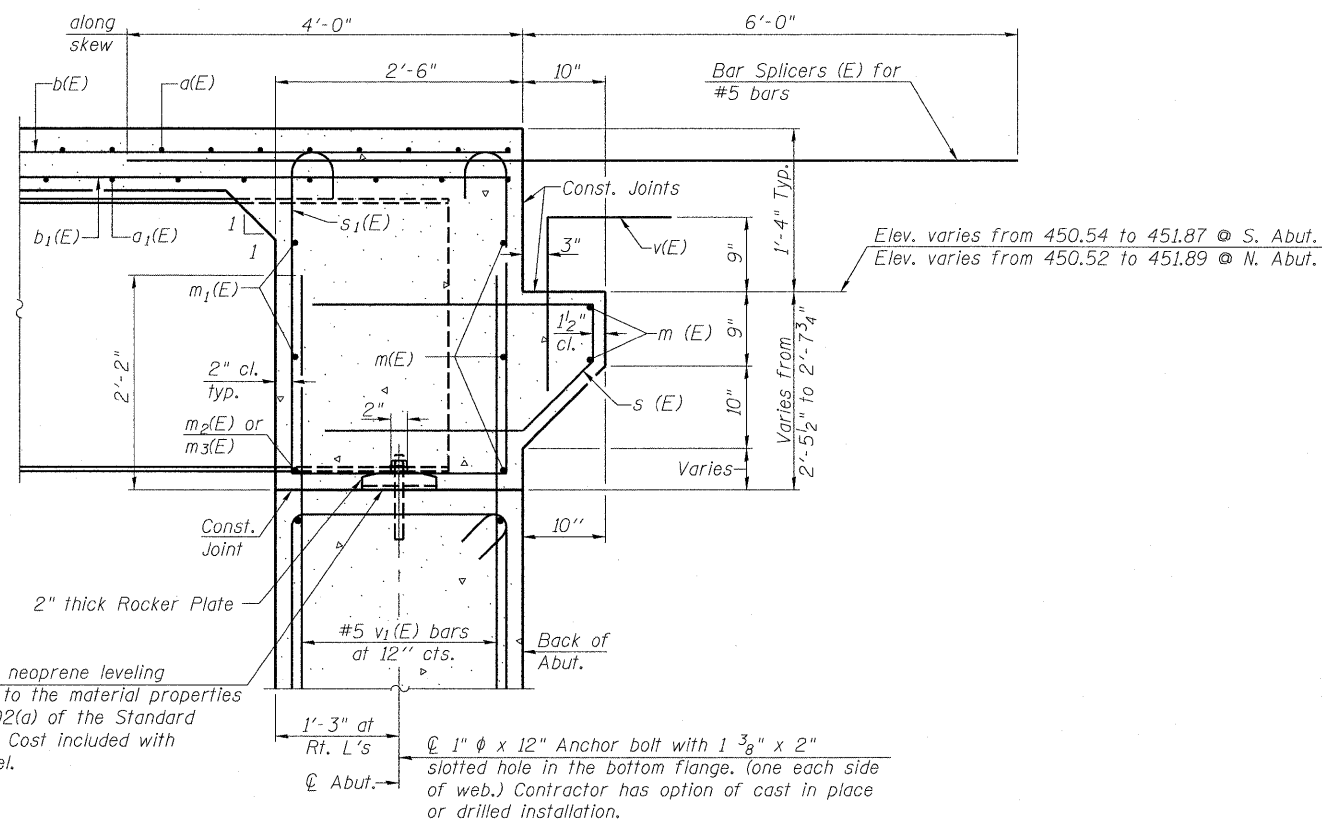
SUPERSTRUCTURE
BILL OF MATERIAL

Bar	No.	Size	Length	Shape
a(E)	148	#5	29'-6"	—
a1(E)	97	#5	29'-8"	—
a2(E)	148	#6	6'-0"	—
a3(E)	148	#5	3'-5"	—
a4(E)	4	#5	31'-7"	—
b(E)	93	#5	28'-9"	—
b1(E)	128	#5	22'-3"	—
m(E)	10	#6	31'-7"	—
m1(E)	20	#6	8'-8"	—
m2(E)	8	#6	6'-3"	—
m3(E)	4	#6	1'-9"	—
s(E)	68	#5	6'-7"	⌢
s1(E)	60	#4	9'-10"	□
v(E)	62	#5	3'-4"	┌
Reinforcement Bars, Epoxy Coated		Pound	17,200	
Concrete Superstructure		Cu. Yds.	88.8	

Bars indicated thus 1 x 3 - #5 etc. indicates 1 line of bars with 3 lengths per line.



SECTION THRU SLAB OVERHANG



SECTION A-A

Dimensions at right angles to abutment, except as shown.

SUPERSTRUCTURE DETAILS
F.A.S. ROUTE 454
SECTION 04-00070-00-BR
SCHUYLER COUNTY
STATION 4+79.00
S.N. 085-3055

SHEET NO. 6	F.A.S. RTE.	SECTION	COUNTY	TOTAL SHEETS	SHEET NO.
17 SHEETS	454	04-00070-00-BR	SCHUYLER	30	14
FED. ROAD DIST. NO. _			ILLINOIS	CONTRACT NO. 93499	
			FED. AID PROJECT		



DESIGNED NIEWINSKI
CHECKED TRELLO
DRAWN VERENSKI
CHECKED TRELLO