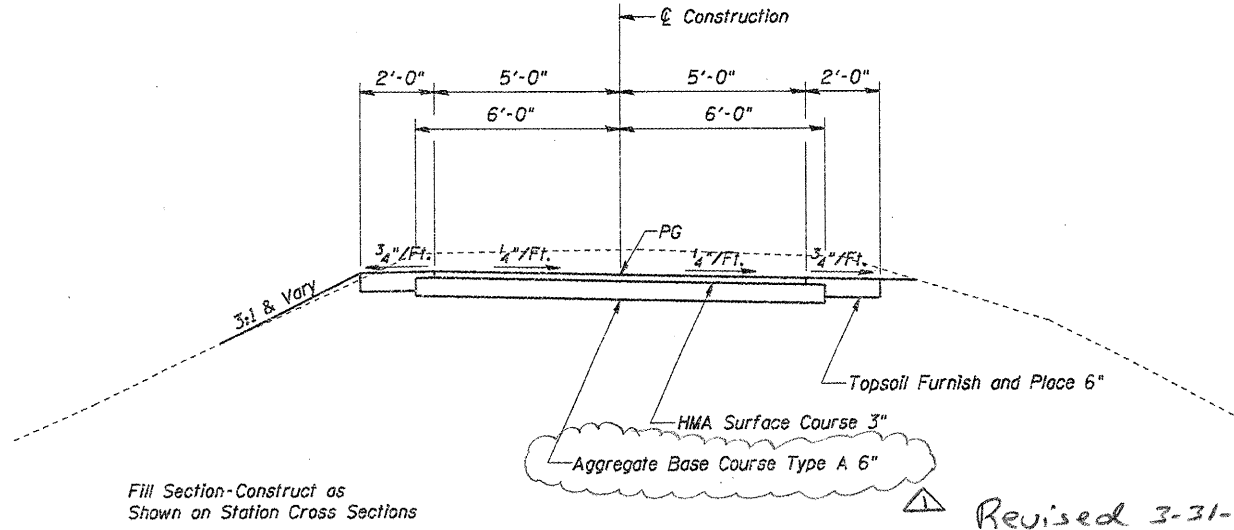


EXISTING TYPICAL CROSS SECTION

OMISSIONS		
STA 955+12.25	TO STA 955+68.20	HEDLEY
STA 956+25.80	TO STA 956+47.90	LENHART RD.
STA 981+59.70	TO STA 981+83.20	ILES AVE
STA 1016+82.75	TO STA 1016+86.65	SIDEWALK
STA 1017+01.70	TO STA 1017+41.90	GREENBRIAR RD
STA 1017+56.90	TO STA 1017+60.90	SIDEWALK
STA 1042+66.10	TO STA 1042+88.91	ARCHER ELEVATOR RD
STA 1053+25.50	TO STA 1056+81.50	SN 084-9912 OLD JACKSONVILLE RD
STA 1061+65.20	TO STA 1061+85.30	MEADOWBROOK RD
STA 1122+77.83	TO STA 1124+78.17	SN 084-9924 WASHINGTON ST
STA 1167+54.50	TO STA 1171+05.75	SN 084-8014 SPRING CREEK
STA 1188+75.68	TO STA 1189+22.01	SN 084-9936 JEFFERSON ST



PROPOSED TYPICAL CROSS SECTION

SANGAMON VALLEY TRAIL	
STA 917+26.90	TO STA 932+00.00
STA 934+00.00	TO STA 945+00.00
STA 951+00.00	TO STA 954+26.60
STA 955+68.20	TO STA 957+25.74 BK
STA 956+87.17 AH	TO STA 980+62.19
STA 981+83.20	TO STA 983+59.87
STA 984+24.22	TO STA 1003+81.29
STA 1016+00.00	TO STA 1016+82.75
STA 1016+86.65	TO STA 1017+01.70
STA 1017+41.90	TO STA 1017+56.90
STA 1017+60.90	TO STA 1018+00.00
STA 1020+50.00	TO STA 1026+00.00
STA 1026+00.00	TO STA 1030+00.00
STA 1030+00.00	TO STA 1040+78.59
STA 1041+39.51	TO STA 1042+66.10
STA 1044+15.78	TO STA 1045+27.44 BK
LT STA 1044+78.05 AH	TO STA 1053+04.35
STA 1057+01.75	TO STA 1059+61.45
STA 1060+55.94	TO STA 1061+65.20
STA 1063+43.57	TO STA 1063+86.07 BK
STA 1063+64.86 AH	TO STA 1078+50.00
STA 1081+00.00	TO STA 1083+50.00
STA 1085+50.00	TO STA 1104+00.00
STA 1106+50.00	TO STA 1110+50.00
STA 1112+00.00	TO STA 1119+25.00
STA 1120+25.00	TO STA 1120+58.38
STA 1153+21.58	TO STA 1166+91.20
STA 1171+25.75	TO STA 1184+50.00
STA 1189+42.01	TO STA 1200+00.00
CONNECTORS	
LT STA 918+00 (PARKING LOT)	
LT STA 1027+81 (OAK PARK ESTATES)	
LT STA 1089+10.5 (BUCKLEY RIDGE ESTATES)	

Revised 3-31-10

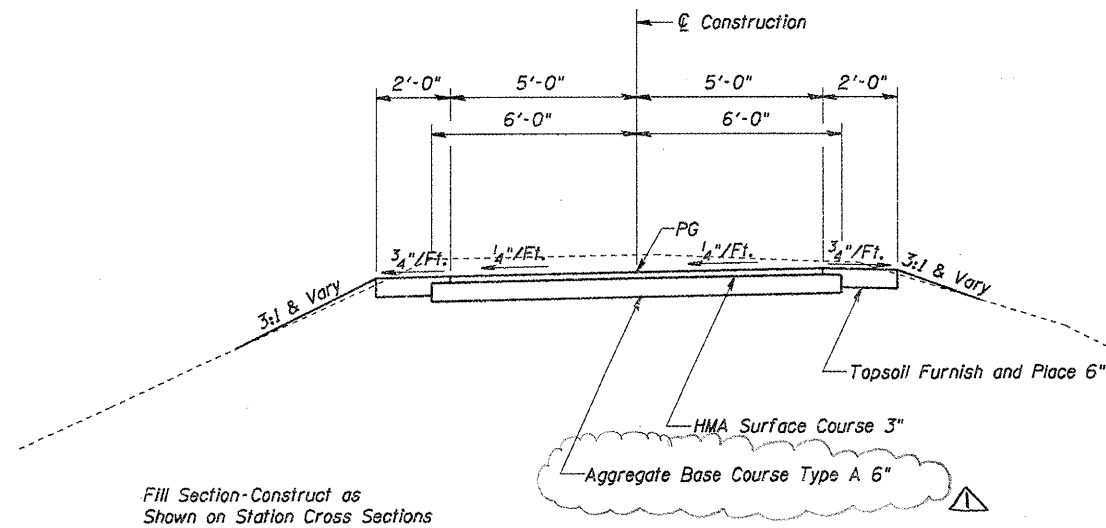
CUMMINS
ENGINEERING
CORPORATION

JOB # 2192	DESIGNED - NAK	REVISED
FILE NAME = 2192.txdgn	DRAWN - AJH	REVISED
PLOT SCALE = 5.0000' / IN.	CHECKED - NAK	REVISED
PLOT DATE = 3/19/2010	DATE - 1/21/2009	REVISED

SANGAMON VALLEY TRAIL

TYPICAL CROSS SECTIONS

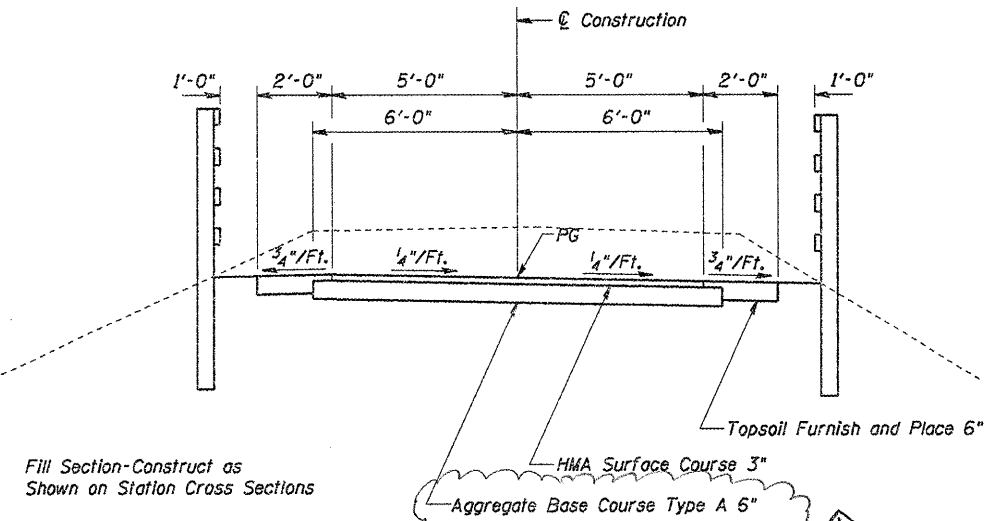
F.A.S. RTE.	SECTION	COUNTY	TOTAL SHEETS	SHEET NO.
	05-00173-00-BT	SANGAMON	173	6
FED. ROAD DIST. NO. ILLINOIS FED. AID PROJECT			CONTRACT NO. 93522	



PROPOSED TYPICAL CROSS SECTION

SANGAMON VALLEY TRAIL

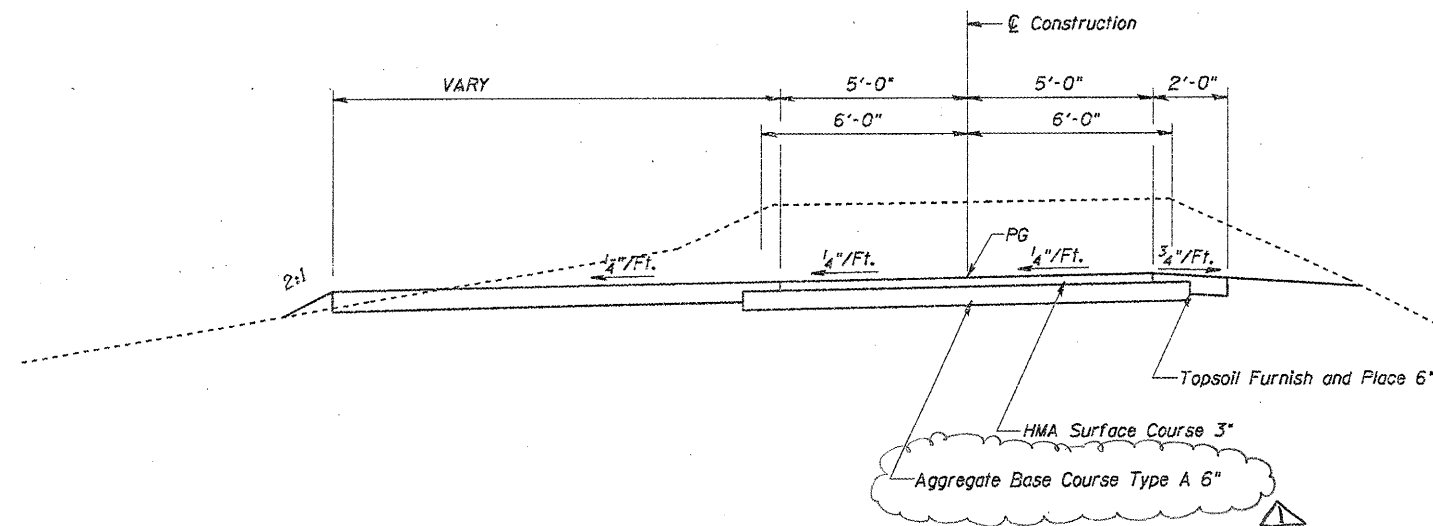
STA 954+07.85	TO STA 955+07.57
STA 956+63.01	TO STA 956+87.17 AH
STA 980+49.44	TO STA 981+59.70
STA 983+41.12	TO STA 984+24.22 AH
STA 1003+81.29	TO STA 1004+50.00
STA 1040+59.84	TO STA 1041+39.51
STA 1042+88.91	TO STA 1044+40.78
STA 1059+61.45	TO STA 1060+55.94
STA 1061+85.30	TO STA 1063+43.57
STA 1120+58.38	TO STA 1121+00.00
STA 1124+98.17	TO STA 1126+25.00
STA 1128+50.00	TO STA 1153+21.88



PROPOSED TYPICAL CROSS SECTION

SANGAMON VALLEY TRAIL

STA 932+00.00	TO STA 933+00.00
RT STA 1026+00.00	TO STA 1030+00.00
STA 1053+04.35	TO STA 1053+25.50
STA 1056+81.50	TO STA 1057+01.75
STA 1110+50.00	TO STA 1112+00.00
STA 1119+25.00	TO STA 1120+25.00
STA 1166+91.40	TO STA 1167+11.40
STA 1171+05.75	TO STA 1171+25.75
STA 1188+55.68	TO STA 1188+75.68
STA 1189+22.01	TO STA 1189+42.01
STA 1205+75.00	TO STA 1207+25.00



SHOULDER TRANSITIONS
 2' STA 1121+00.00 TO 10' STA 1121+50.00
 10' STA 1122+00.00 TO 2' STA 1122+50.00

PROPOSED TYPICAL CROSS SECTION

SANGAMON VALLEY TRAIL
 STA 1121+00 TO STA 1122+50

Revised 3-31-10

CUMMINS
 ENGINEERING
 CORPORATION

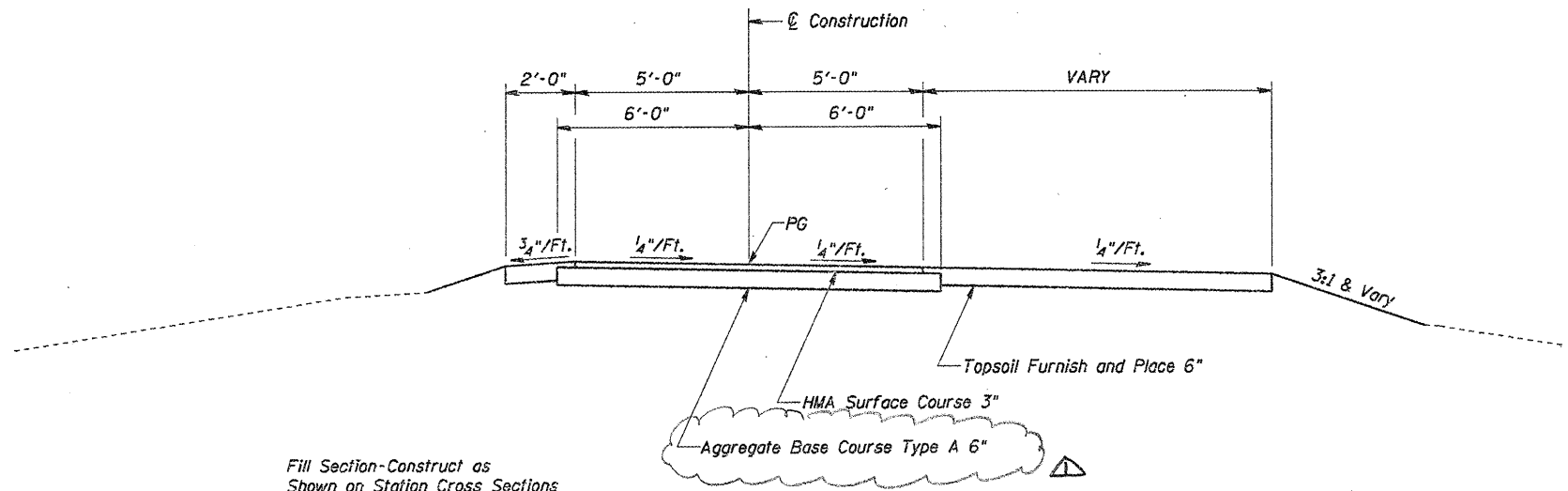
JOB = 2192
FILE NAME = 2192.txdgn
PLOT SCALE = 5.0000' / IN.
PLOT DATE = 3/19/2010

DESIGNED - NAK	REVISED
DRAWN - AJH	REVISED
CHECKED - NAK	REVISED
DATE - 1/21/2009	REVISED

SANGAMON VALLEY TRAIL

TYPICAL CROSS SECTIONS

F.A.S. RTE.	SECTION	COUNTY	TOTAL SHEETS	SHEET NO.
	05-00173-00-BT	SANGAMON	173	7
CONTRACT NO. 93522				
FED. ROAD DIST. NO. ILLINOIS FED. AID PROJECT				



PROPOSED TYPICAL CROSS SECTION

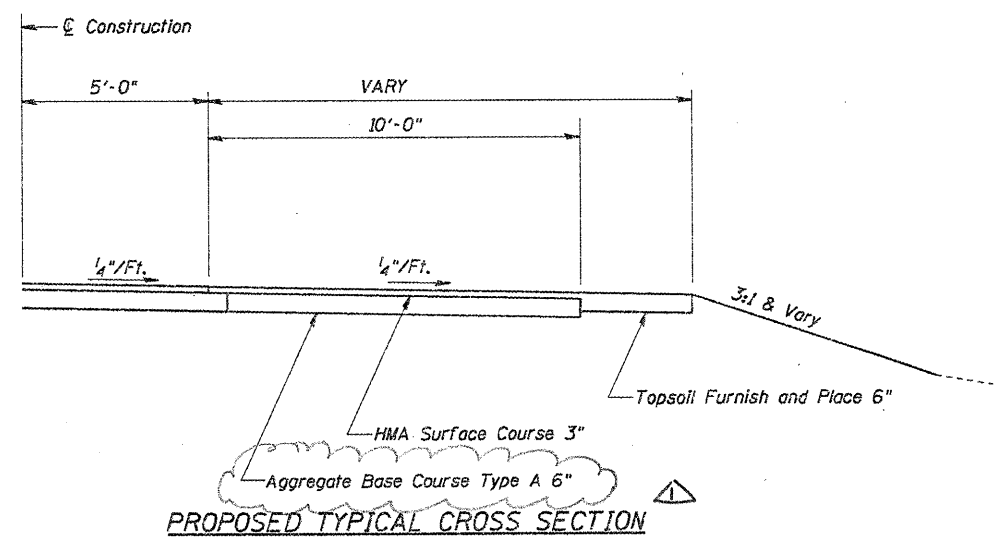
SANGAMON VALLEY TRAIL

STA 945+00.00	TO STA 951+00.00
STA 1005+18.90	TO STA 1013+81.27
STA 1015+18.87	TO STA 1016+00.00
STA 1018+00.00	TO STA 1020+50.00
STA 1083+50.00	TO STA 1085+50.00
STA 1104+00.00	TO STA 1106+50.00
STA 1184+50.00	TO STA 1188+55.68

SHOULDER TRANSITIONS

2' STA 945+00.00	TO 12' STA 945+50.00
12' STA 950+50.00	TO 2' STA 951+00.00
10' STA 1015+50	TO 2' STA 1016+00.00
2' STA 1018+00.00	TO 12' STA 1018+50.00
12' STA 1020+00.00	TO 2' STA 1020+50.00
2' STA 1083+50.00	TO 12' STA 1084+00.00
12' STA 1085+00.00	TO 2' STA 1085+50.00
2' STA 1104+00.00	TO 12' STA 1104+50.00
12' STA 1106+00.00	TO 2' STA 1106+50.00

Fill Section-Construct as Shown on Station Cross Sections



PROPOSED TYPICAL CROSS SECTION

REST AREA PAVING

RT STA 1010+00.00	TO STA 1010+50.00
LT STA 1079+50.00	TO STA 1080+00.00
LT STA 1121+50.00	TO STA 1122+00.00

Fill Section-Construct as Shown on Station Cross Sections

PROPOSED TYPICAL CROSS SECTION

SANGAMON VALLEY TRAIL

STA 1004+50.00	TO STA 1005+18.90
STA 1013+81.27	TO STA 1015+18.87

SHOULDER TRANSITION
2' STA 1004+50 TO 10' STA 1005+00

Revised 3-31-10

CUMMINS
ENGINEERING
CORPORATION

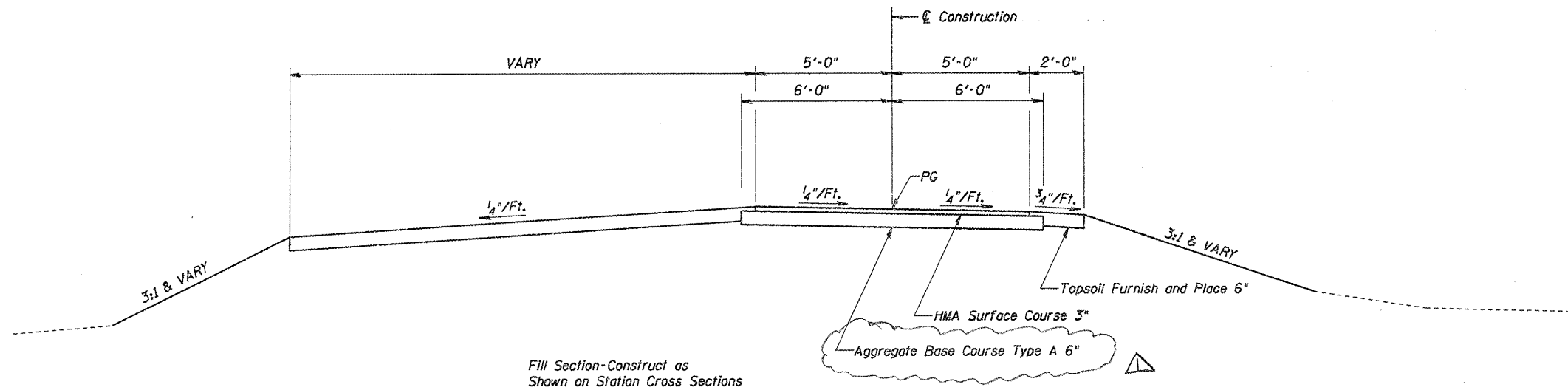
JOB = 2192
FILE NAME = 2192.txd.dgn
PLOT SCALE = 5.0000 1/4 IN.
PLOT DATE = 3/19/2010

DESIGNED - NAK	REVISED
DRAWN - AJH	REVISED
CHECKED - NAK	REVISED
DATE - 1/21/2009	REVISED

SANGAMON VALLEY TRAIL

TYPICAL CROSS SECTIONS

F.A.S. RTE.	SECTION	COUNTY	TOTAL SHEETS	SHEET NO.
	05-00173-00-BT	SANGAMON	173	8
CONTRACT NO. 93522				
FED. ROAD DIST. NO. ILLINOIS FED. AID PROJECT				

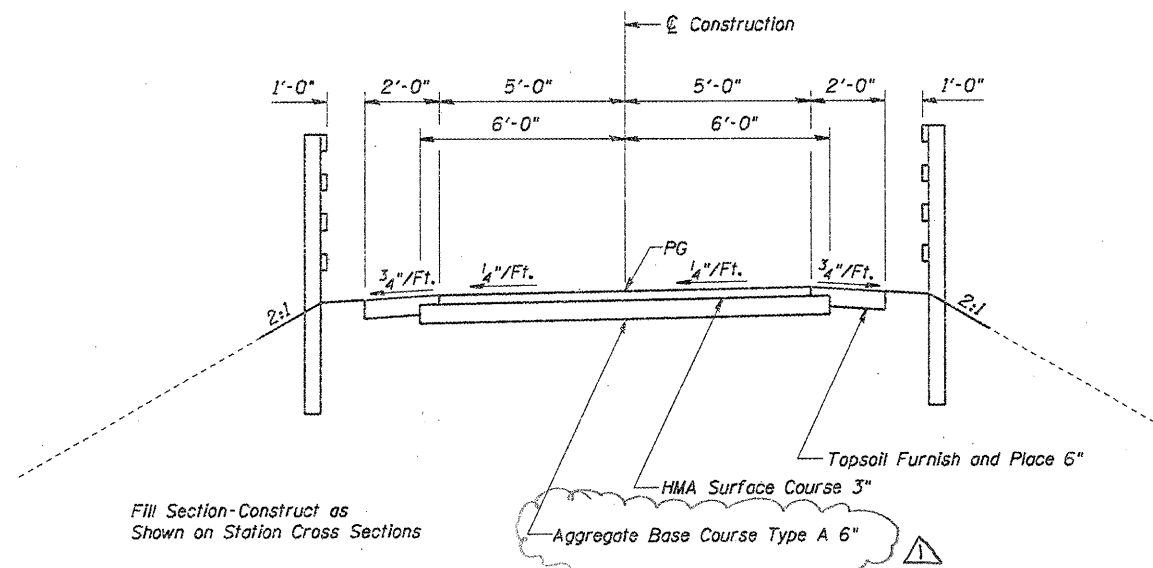


Fill Section-Construct as Shown on Station Cross Sections

PROPOSED TYPICAL CROSS SECTION

SANGAMON VALLEY TRAIL
 STA 1078+50.00 TO STA 1081+00.00
 STA 1121+00.00 TO STA 1122+57.83

SHOULDER TRANSITION
 2' STA 1078+50 TO 17' STA 1079+00
 17' STA 1080+50 TO 2' STA 1081+00

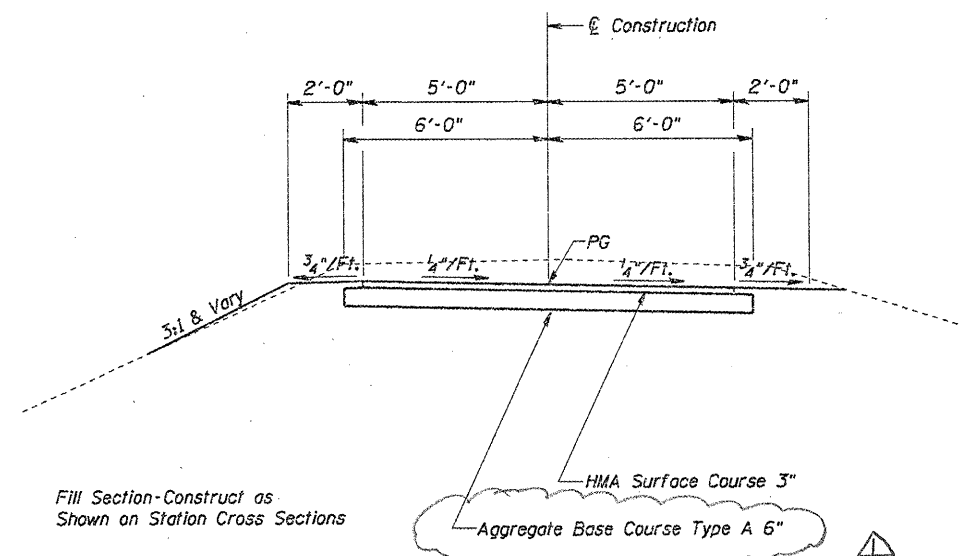


Fill Section-Construct as Shown on Station Cross Sections

PROPOSED TYPICAL CROSS SECTION

SANGAMON VALLEY TRAIL
 STA 1122+57.83 TO STA 1122+77.83
 STA 1124+78.17 TO STA 1124+98.17

SHOULDER TRANSITION
 2' STA 1121+00 TO 12' STA 1121+50
 12' STA 1122+00 TO 2' STA 1122+50



Fill Section-Construct as Shown on Station Cross Sections

PROPOSED TYPICAL CROSS SECTION

SANGAMON VALLEY TRAIL
 STA 1200+00 TO STA 1207+50

⚠ Revised 3-31-10

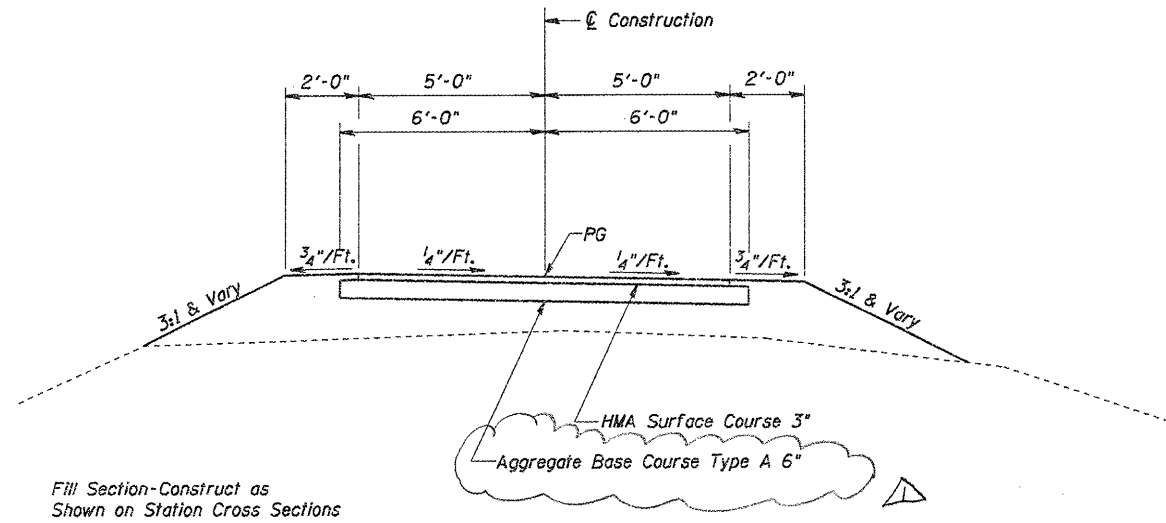
CUMMINS
 ENGINEERING
 CORPORATION

JOB # 2192	DESIGNED - NAK	REVISED
FILE NAME = #FILE#	DRAWN - AJH	REVISED
PLOT SCALE = #SCALE#	CHECKED - NAK	REVISED
PLOT DATE = #DATE#	DATE - 1/21/2009	REVISED

SANGAMON VALLEY TRAIL

TYPICAL CROSS SECTIONS

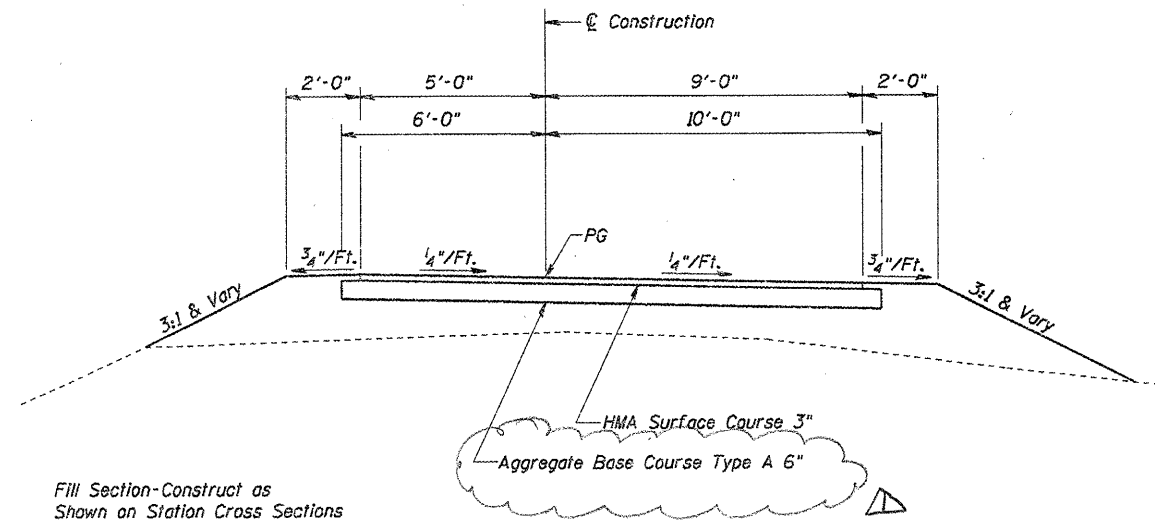
F.A.S. RTE.	SECTION	COUNTY	TOTAL SHEETS	SHEET NO.
	05-00173-00-BT	SANGAMON	173	9
FED. ROAD DIST. NO. ILLINOIS FED. AID PROJECT			CONTRACT NO. 97522	



Fill Section-Construct as Shown on Station Cross Sections

PROPOSED TYPICAL CROSS SECTION

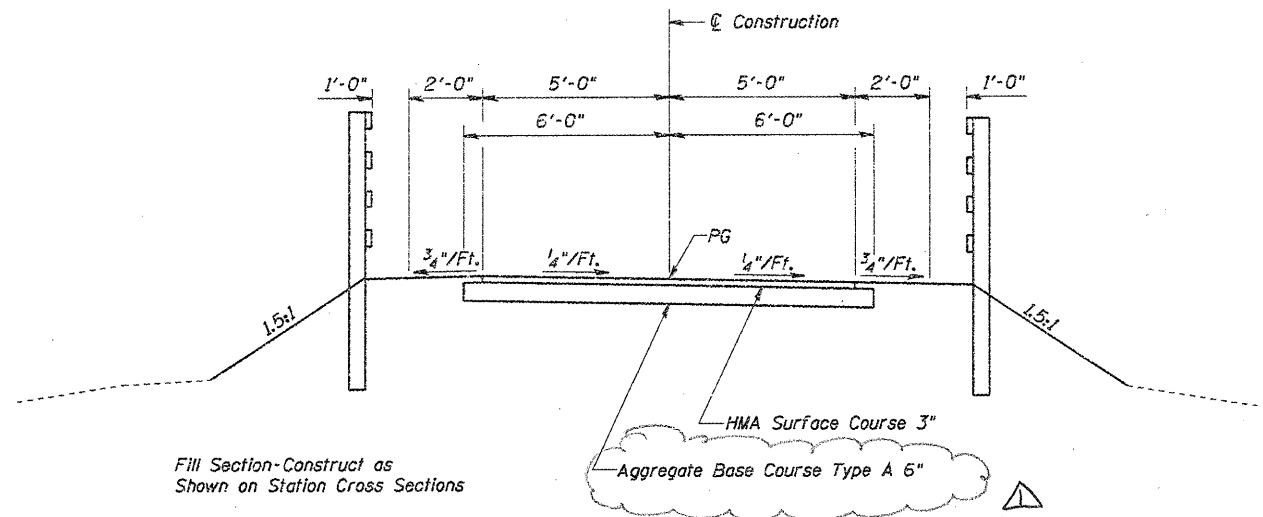
STUART PARK CONNECTOR
STA 6003+00.00 TO STA 6015+29.93



Fill Section-Construct as Shown on Station Cross Sections

PROPOSED TYPICAL CROSS SECTION

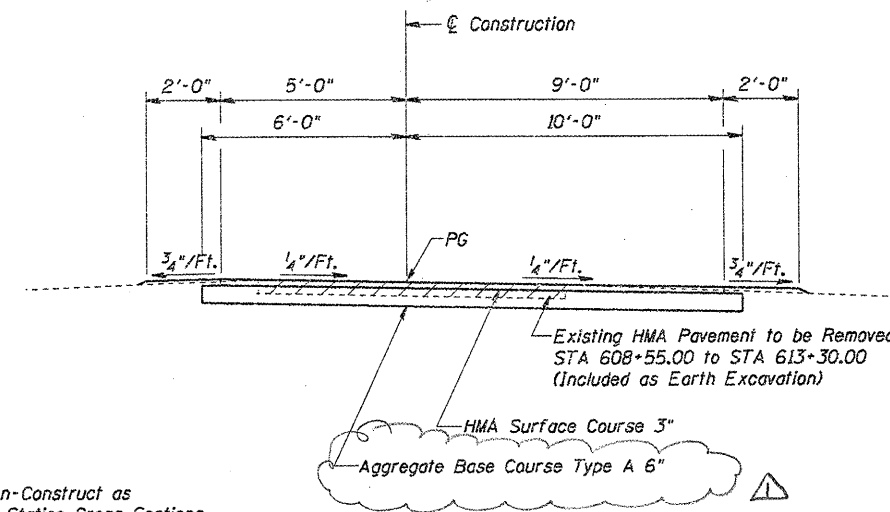
PARK CONNECTOR
STA 400+00.00 TO STA 404+44.99



Fill Section-Construct as Shown on Station Cross Sections

PROPOSED TYPICAL CROSS SECTION

STUART PARK CONNECTOR
STA 5999+87.48 TO STA 6003+00.00



Fill Section-Construct as Shown on Station Cross Sections

PROPOSED TYPICAL CROSS SECTION

EXISTING STUART PARK PATH
STA 608+55.00 TO STA 614+00.00

△ Revised 3-31-10

CUMMINS ENGINEERING CORPORATION	JOB = 2192	DESIGNED - NAK	REVISED
	FILE NAME = 2192 typ.dgn	DRAWN - AJH	REVISED
	PLOT SCALE = 5.0000 1 / IN.	CHECKED - NAK	REVISED
	PLOT DATE = 3/19/2010	DATE - 1/21/2009	REVISED

SANGAMON VALLEY TRAIL

TYPICAL CROSS SECTIONS

F.A.S. RTE.	SECTION	COUNTY	TOTAL SHEETS	SHEET NO.
	05-00173-00-BT	SANGAMON	173	10
FED. ROAD DIST. NO. ILLINOIS FED. AID PROJECT			CONTRACT NO. 93522	