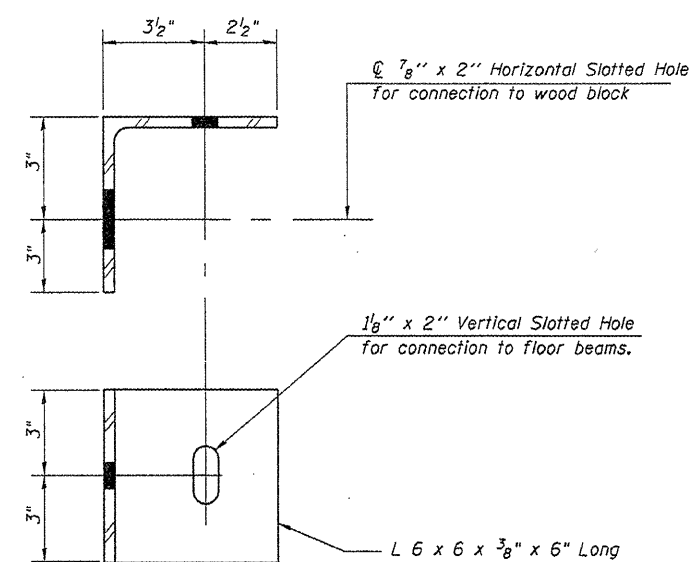


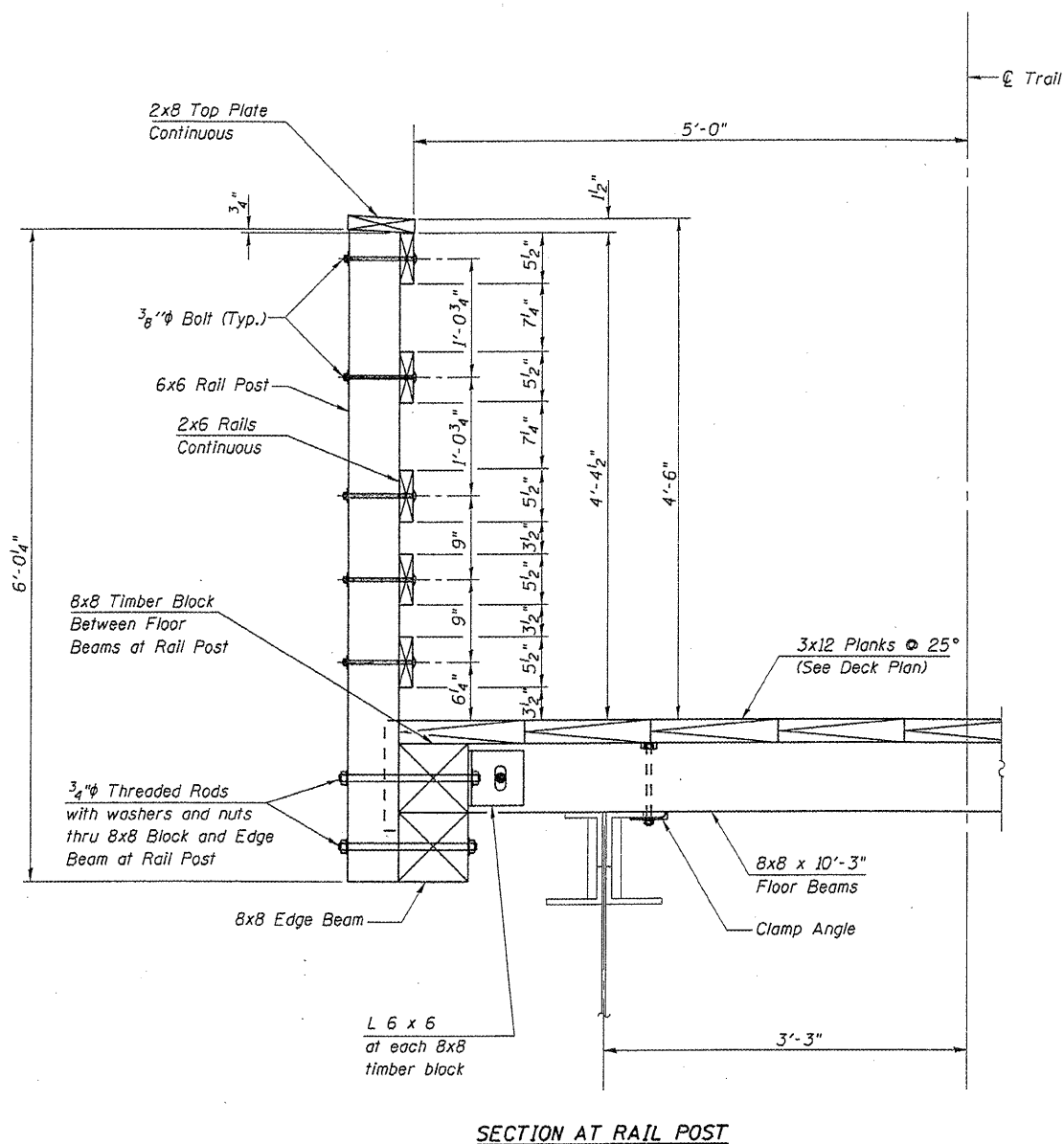
CLAMP ANGLE
(32 Required)



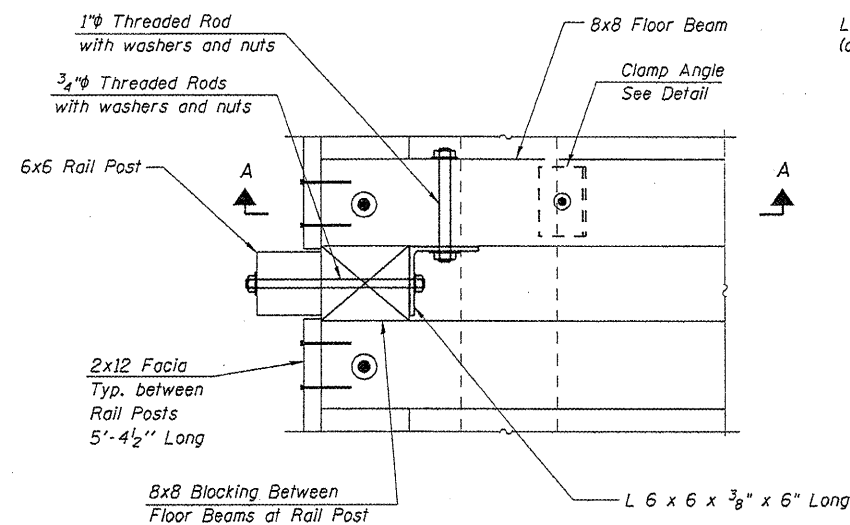
**L 6 x 6
TIMBER BLOCK ANGLE**
(16 Required)

* Weight of angles included in weight of Hardware.

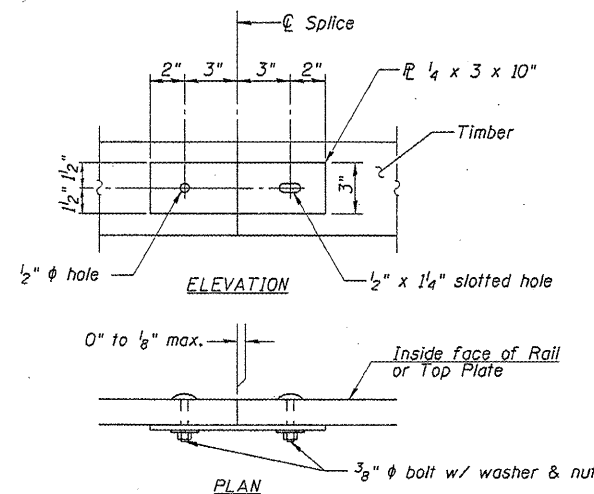
**TIMBER DETAILS
SPANS 1-4
SANGAMON VALLEY TRAIL
OVER OLD JACKSONVILLE ROAD
SVT BRIDGE NO. 12
STRUCTURE NO. 084-9912**



SECTION AT RAIL POST



PLAN AT RAIL POST
(Deck Planks Not Shown)



SPLICE DETAIL

Note: Minimize splices in rails and top plate. Where possible span 3 rail posts.

CEC Cummins Engineering Corporation
Civil and Structural Engineering

JOB = 2192	DESIGNED M.D.C.
FILE = 2192oldjack_super	CHECKED A.A.N.
DATE = 6/5/2009	DRAWN T.S.H.
	CHECKED M.D.C.

Revised 4-13-10

Sheet 6 of 12	RTE.	SECTION	COUNTY	TOTAL SHEETS	SHEET NO.
	SVT	05-00173-00-BT	SANGAMON	173	81
	SANGAMON VALLEY TRAIL		CONTRACT NO. 93522		
	FED. ROAD DIST. NO. 6 ILLINOIS FED. AID PROJECT				