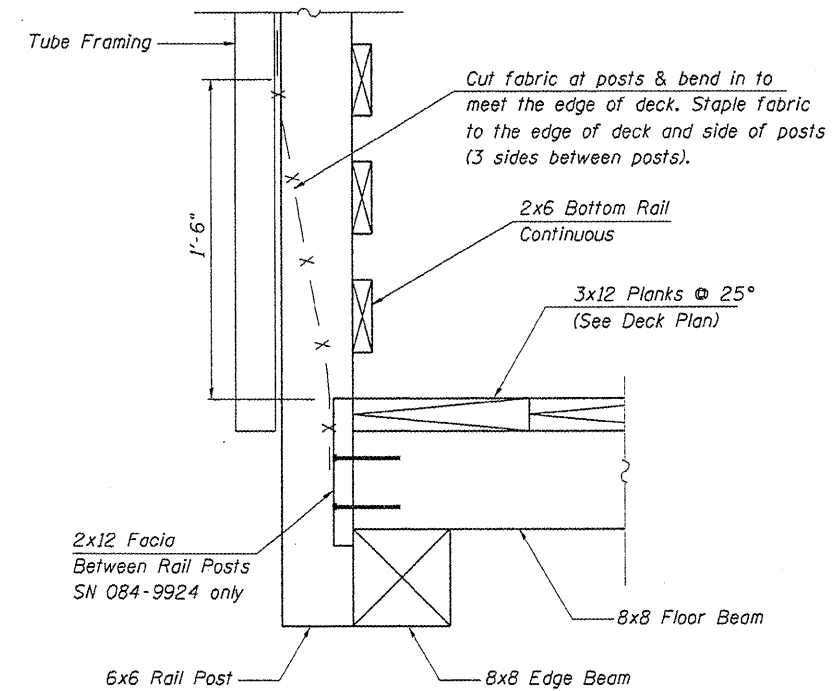


FASTENER SCHEDULE

Location	Type	Size x Length	Number Required
3x12 Deck Planks to 8x8 Floor Beams	lag screws with standard washers	3/8"φ x 5"	2 per plank at Each Floor Beam
2x8 Top Rails to 6x6 Rail Posts	wood screws	No. 12 x 4"	2 per Rail Post
2x12 Fascia Boards to 8x8 Floor Beams	wood screws	No. 12 x 4"	2 per Floor Beam

FASTENER NOTES

- The lag screw heads shall be countersunk so that the tops will be flush with surface of the deck planks. Recesses formed for countersinking shall be just large enough to admit the washers.
- All wood screws shall be self-sinking flat head deck screws.
- The cost of these wood screws and lag screws was already included in the contract plan quantity for Hardware.
- All hardware required for timber construction, including nuts, washers, lag screws, threaded rods and miscellaneous fasteners shall be stainless steel or hot-dipped galvanized and shall conform to Section 507 of the Standard Specifications unless noted otherwise.



SECTION AT BOTTOM OF BRIDGE FENCE RAILING (SPECIAL)

Note:
The cost of this work shall be included with Bridge Fence Railing (Special)

MISCELLANEOUS DETAILS
SANGAMON VALLEY TRAIL
OVER JEFFERSON STREET (IL ROUTE 97)
SVT BRIDGE NO. 15
STRUCTURE NO. 084-9936

CEC Cummins
Engineering
Corporation
Civil and Structural Engineering

JOB = 2192	DESIGNED	M.D.C.
FILE = 2192jeff_details	CHECKED	A.A.N.
DATE = 4/12/2010	DRAWN	T.S.H.
	CHECKED	M.D.C.

Sheet 2A of 6	RTE.	SECTION	COUNTY	TOTAL SHEETS	SHEET NO.
	SVT	05-00173-00-BT	SANGAMON	173	108A
	SANGAMON VALLEY TRAIL			CONTRACT NO. 93522	
	FED. ROAD DIST. NO. 6 [ILLINOIS] FED. AID PROJECT				

Added 9-13-10