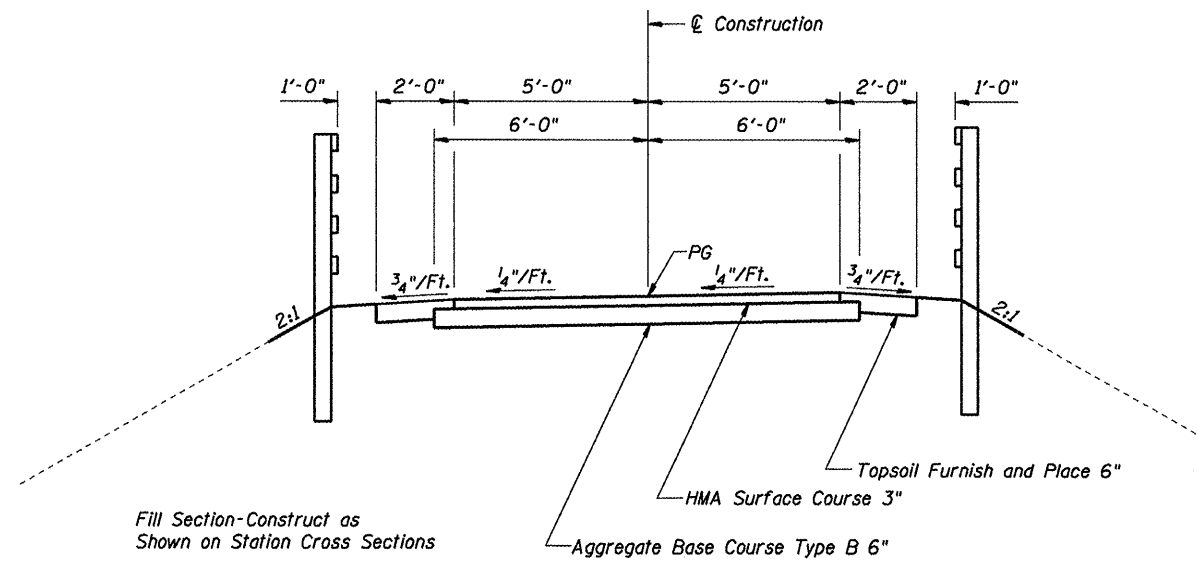


Fill Section-Construct as Shown on Station Cross Sections

**PROPOSED TYPICAL CROSS SECTION**

SANGAMON VALLEY TRAIL  
 STA 1078+50.00 TO STA 1081+00.00  
 STA 1121+00.00 TO STA 1122+57.83

SHOULDER TRANSITION  
 2' STA 1078+50 TO 17' STA 1079+00  
 17' STA 1080+50 TO 2' STA 1081+00

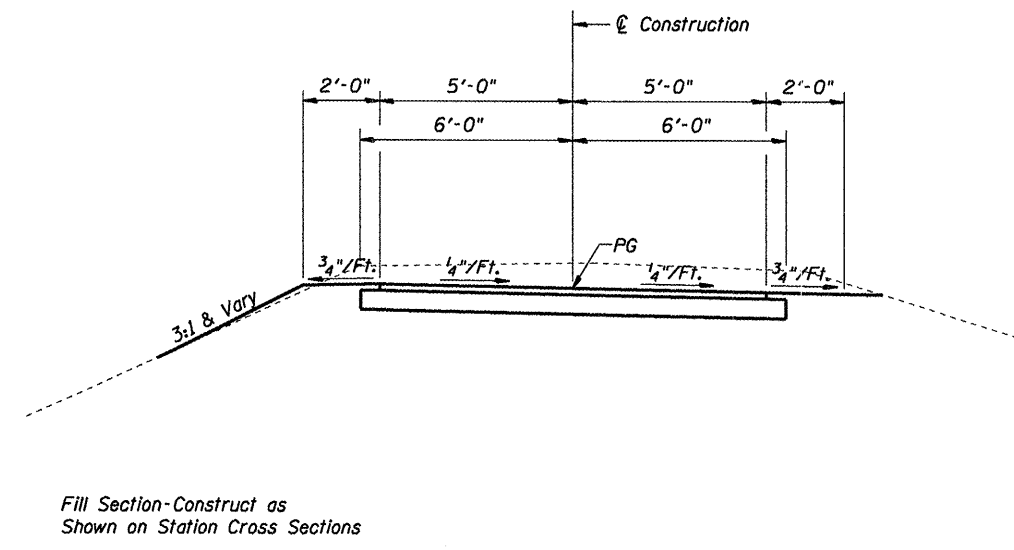


Fill Section-Construct as Shown on Station Cross Sections

**PROPOSED TYPICAL CROSS SECTION**

SANGAMON VALLEY TRAIL  
 STA 1122+57.83 TO STA 1122+77.83  
 STA 1124+78.17 TO STA 1124+98.17

SHOULDER TRANSITION  
 2' STA 1121+00 TO 12' STA 1121+50  
 12' STA 1122+00 TO 2' STA 1122+50



Fill Section-Construct as Shown on Station Cross Sections

**PROPOSED TYPICAL CROSS SECTION**

SANGAMON VALLEY TRAIL  
 STA 1200+00 TO STA 1207+50

CUMMINS  
 ENGINEERING  
 CORPORATION

JOB = 2192	DESIGNED - NAK	REVISOR
FILE NAME = 2192typ.dgn	DRAWN - AJH	REVISOR
PLOT SCALE = 5,0000' / IN.	CHECKED - NAK	REVISOR
PLOT DATE = 6/5/2009	DATE - 1/21/2009	REVISOR

DESIGNED - NAK	REVISOR
DRAWN - AJH	REVISOR
CHECKED - NAK	REVISOR
DATE - 1/21/2009	REVISOR

SANGAMON VALLEY TRAIL

TYPICAL CROSS SECTIONS

F.A.S. RTE.	SECTION	COUNTY	TOTAL SHEETS	SHEET NO.
	05-00173-00-BT	SANGAMON	173	9
CONTRACT NO.				
FED. ROAD DIST. NO. ILLINOIS FED. AID PROJECT				

09529