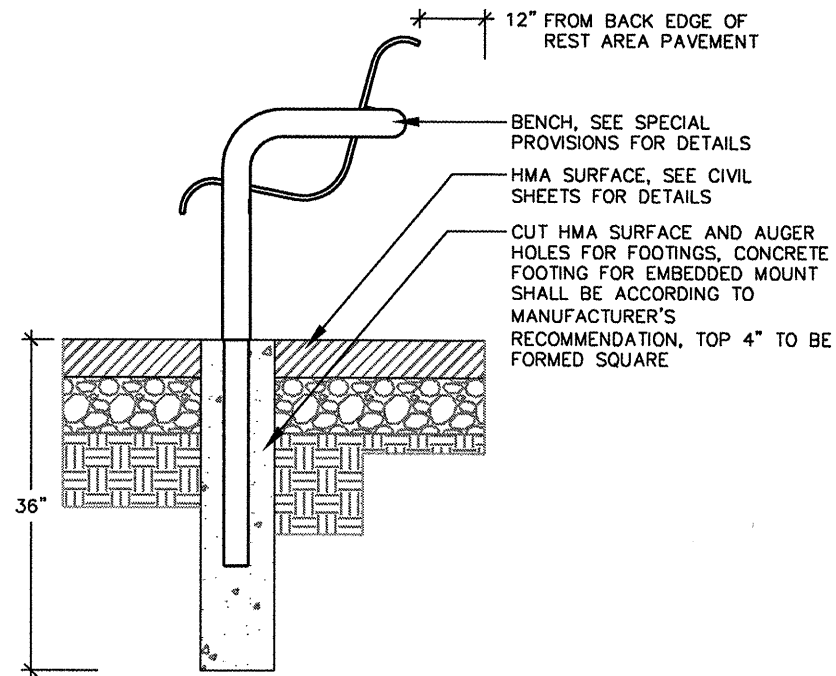
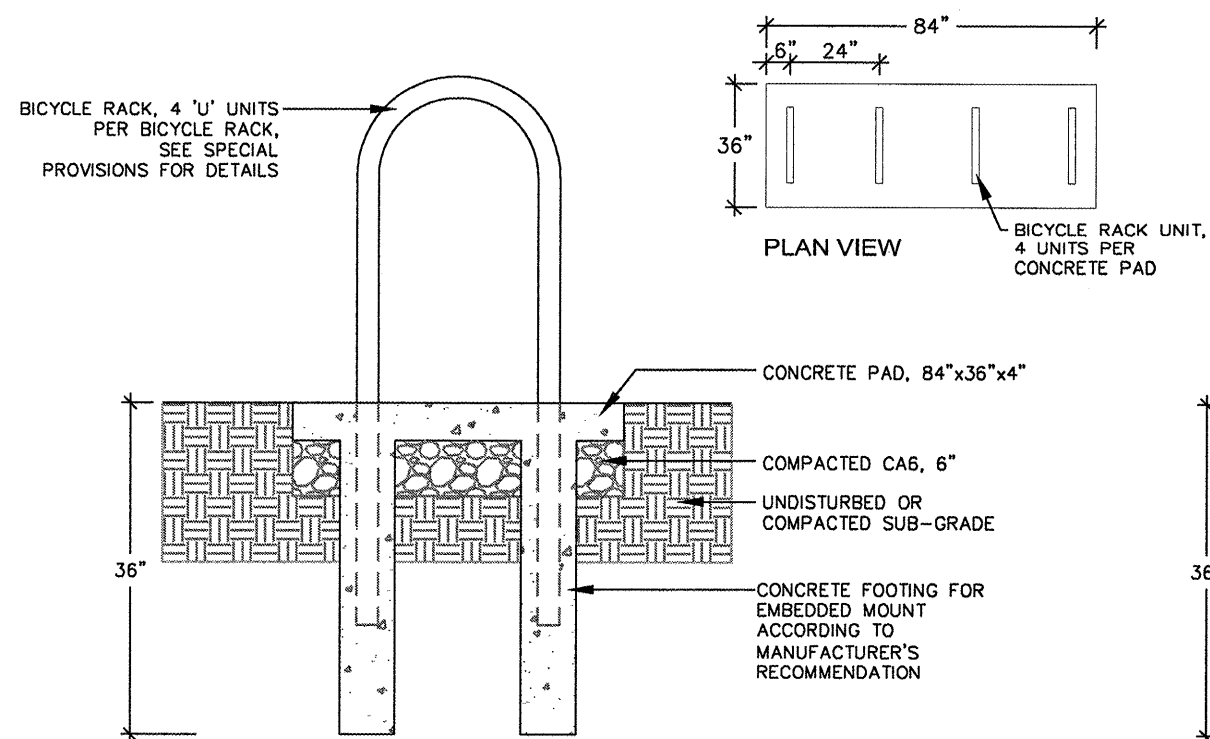
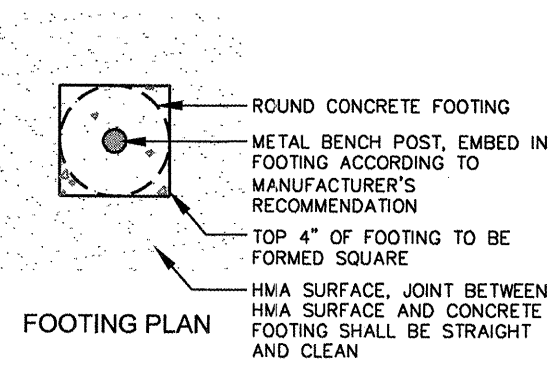


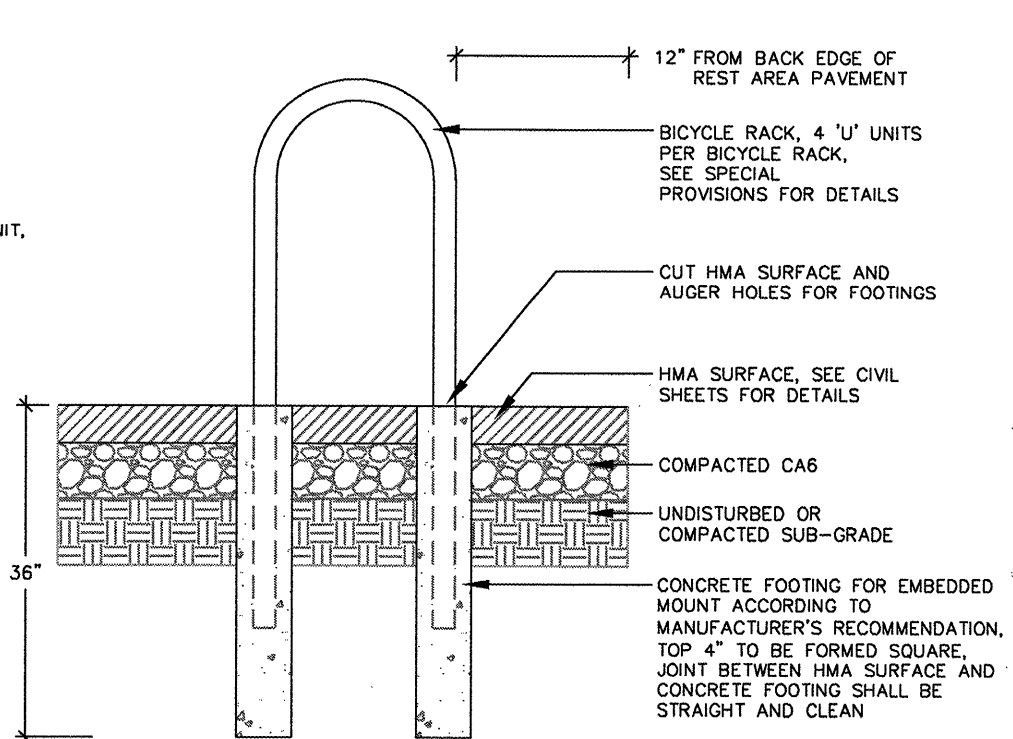
L6
1 **BENCH**
WITH CONCRETE BASE NOT TO SCALE



L6
2 **BENCH**
ON BITUMINOUS BASE NOT TO SCALE



L6
3 **BICYCLE RACK**
WITH CONCRETE BASE NOT TO SCALE



L6
4 **BICYCLE RACK**
ON BITUMINOUS BASE NOT TO SCALE

