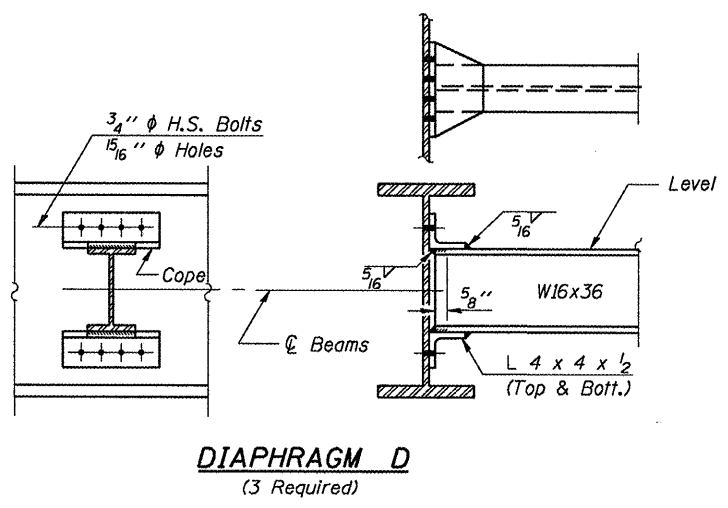
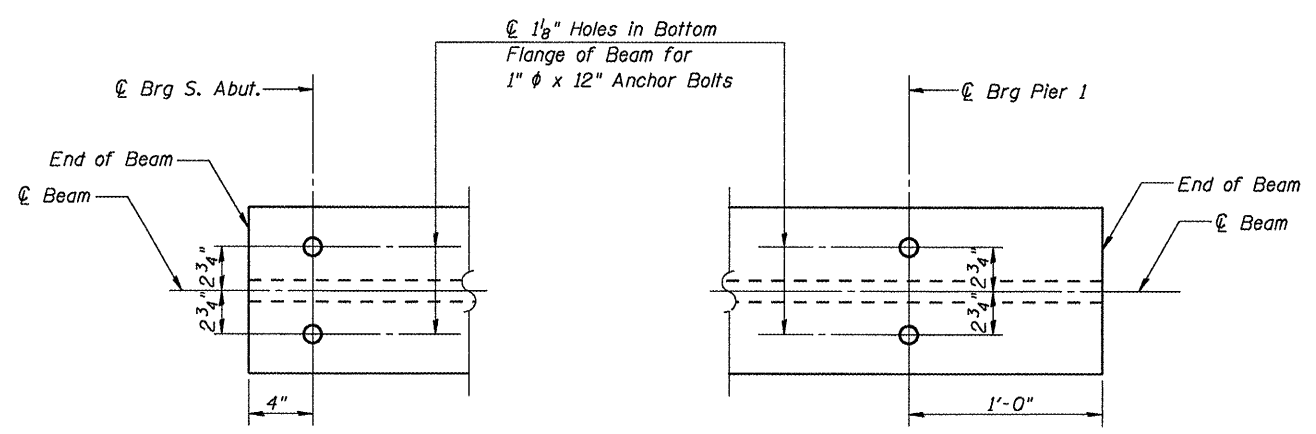
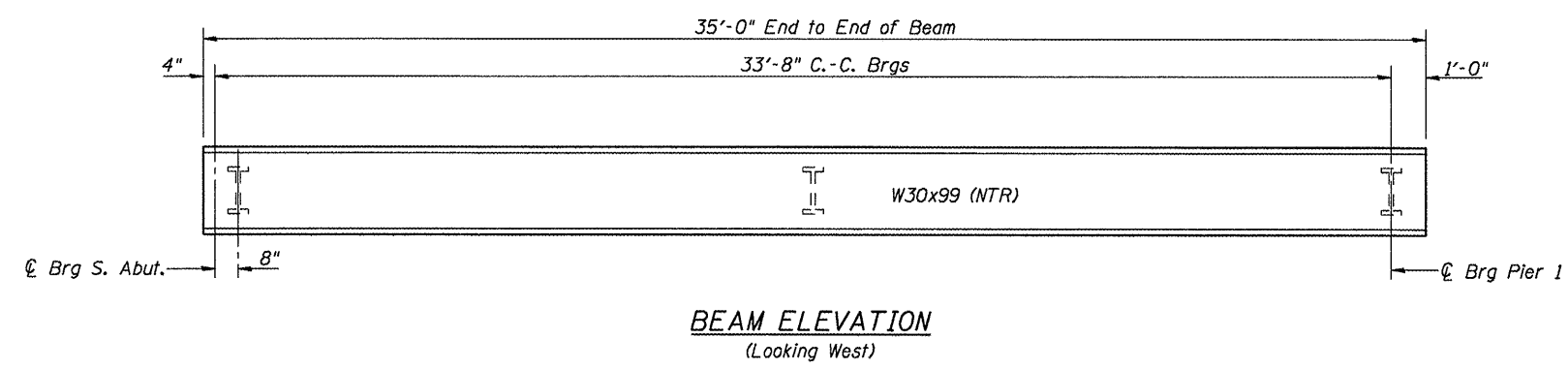


BEARING DETAILS AT SOUTH ABUTMENT & PIER 1
 (4 Required)



STEEL FRAMING & DETAILS
SPAN 1
SANGAMON VALLEY TRAIL
OVER OLD JACKSONVILLE ROAD
SVT BRIDGE NO. 12
STRUCTURE NO. 084-9912

Notes:
 All steel for beams & diaphragms shall be AASHTO M270, Grade 50W.
 Two hardened washers shall be required over all 1 5/16" holes.
 "NTR" denotes members which shall conform to the Supplemental Requirements for Notch Toughness, Zone 2.
 Anchor bolts shall be set before bolting diaphragms.

CEC Civil and Structural Engineering	Cummins Engineering Corporation	JOB = 2192	DESIGNED M.D.C.
		FILE = 2192oldjack_steel	CHECKED A.A.N.
		DATE = 3/11/2009	DRAWN T.S.H.
			CHECKED M.D.C.

Sheet 7 of 12	RTE.	SECTION	COUNTY	TOTAL SHEETS	SHEET NO.
	SVT	05-00173-00-BT	SANGAMON	173	82
	SANGAMON VALLEY TRAIL			CONTRACT NO.	
	FED. ROAD DIST. NO. 6 ILLINOIS			FED. AID PROJECT	

93522