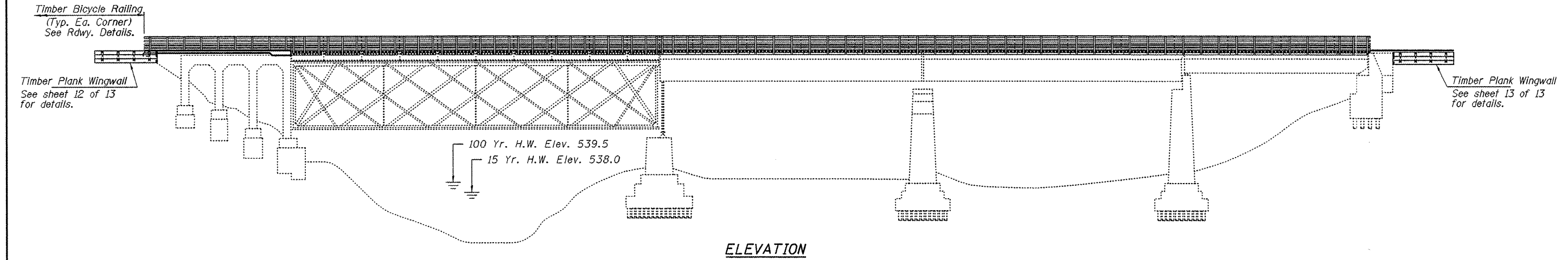
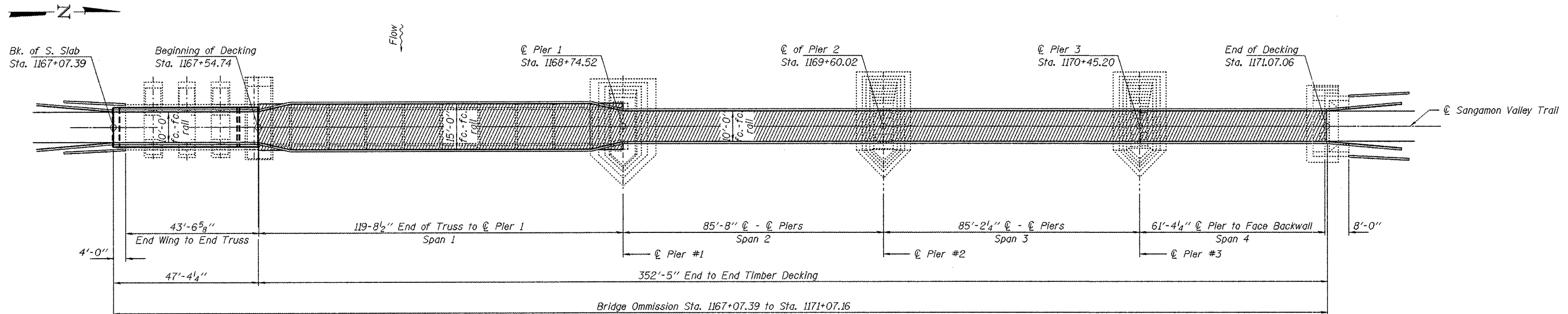


EXISTING STRUCTURE: CN&W Railroad SN1863 was originally built in 1912. The existing structure is a five span bridge consisting of a three-bay slab in Span 1, a four bay steel truss in Span 2, 85-inch plate girders in Spans 3 and 4, and 60-inch plate girders in Span 5. The substructure consists of closed concrete abutments and solid concrete piers on concrete footings. The existing structure is 395'-2" back to back of abutments. The existing ties are 10'-0"± out to out. The existing ties will be removed and replaced with a timber deck system and pedestrian railing.

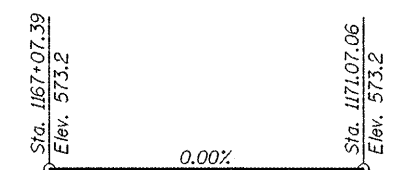
No Salvage.



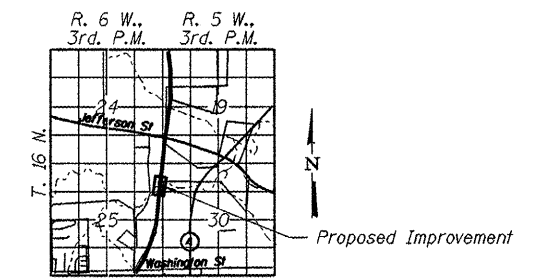
ELEVATION



PLAN



PROFILE GRADE



LOCATION SKETCH

DESIGN STRESSES

$f'_c = 3,500$ psi
 $f_y = 36,000$ psi (Structural Steel) (M270 Gr 36)
 $f_y = 60,000$ psi (Reinforcement)
 $f_b = 1,500$ psi (Timber Floor Beams)
 $f_b = 1,850$ psi (Timber Planking)

Loading: 85 psf Pedestrian Loading and 10,000 lb. Emergency Vehicle
 Design Specifications: 2002 AASHTO & all applicable Interims.

SEISMIC DATA

Seismic Performance Category (SPC) = A
 Bedrock Acceleration Coefficient (A) = 0.05g
 Site Coefficient (S) = 2.0

I certify that to the best of my knowledge, information and belief, this bridge design is structurally adequate for the design loading shown on the plans. The design is an economical one for the style of structure and complies with requirements of the current "AASHTO LRFD Specifications."

Steven Megginson 6/5/2009
 ILLINOIS STRUCTURAL NO. 081-6064



DESIGNED - S.M.S.
CHECKED - S.W.M.
DRAWN - D.A.B.
CHECKED - S.M.S.

**GENERAL PLAN AND ELEVATION
 SVT BRIDGE NO. 14
 STRUCTURE NO 084-8014**

HAMPTON, LENZINI & RENWICK, INC. CIVIL & STRUCTURAL ENGINEERS LAND SURVEYORS 3085 STEVENSON DRIVE, SUITE 201 SPRINGFIELD, ILLINOIS 62703 (217) 546-3400 PROJECT NUMBER: 12-84-0090 DATE: 05/28/09	SHEET NO. 1	T.R.	SECTION	COUNTY	TOTAL SHEETS	SHEET NO.
	13 SHEETS		05-00713-00-BT	SANGAMON	173	94
		S.V.T. OVER SPRING CREEK		CONTRACT NO. 93522		
		FED. ROAD DIST. NO.	ILLINOIS	FED. AID PROJECT		