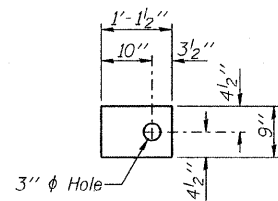


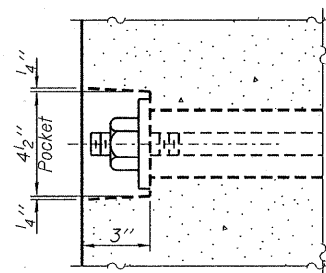
FABRIC BEARING PAD
(Interior 30 - Req'd.)



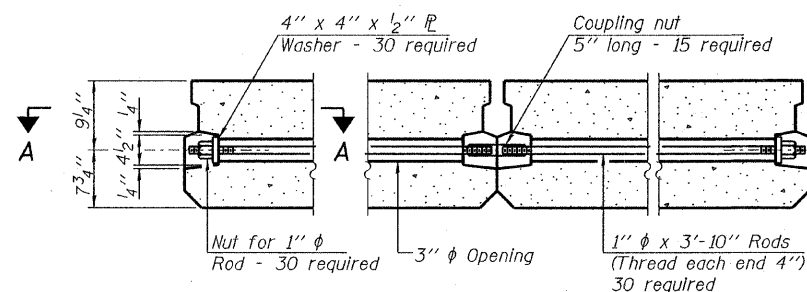
FABRIC BEARING PAD
(Exterior - 12 Req'd.)

FIXED

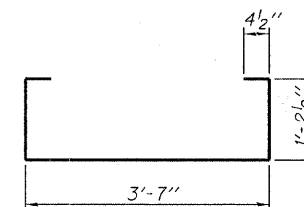
Note: Omit holes when using expansion bearings.



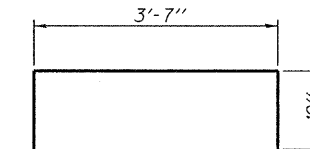
SECTION A-A



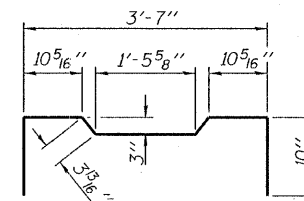
TYPICAL TRANSVERSE TIE ASSEMBLY



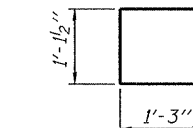
BAR S(E)



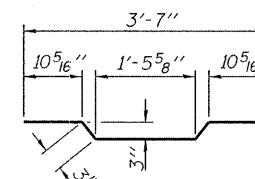
BAR S1(E)



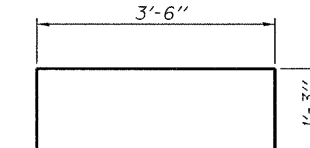
BAR S2(E)



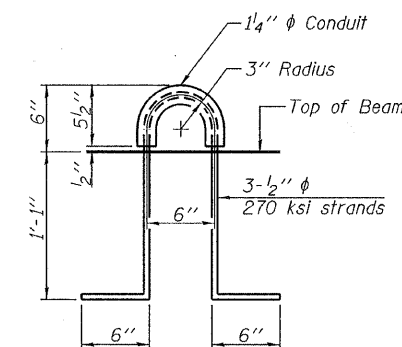
BAR U(E)



BAR A1(E)



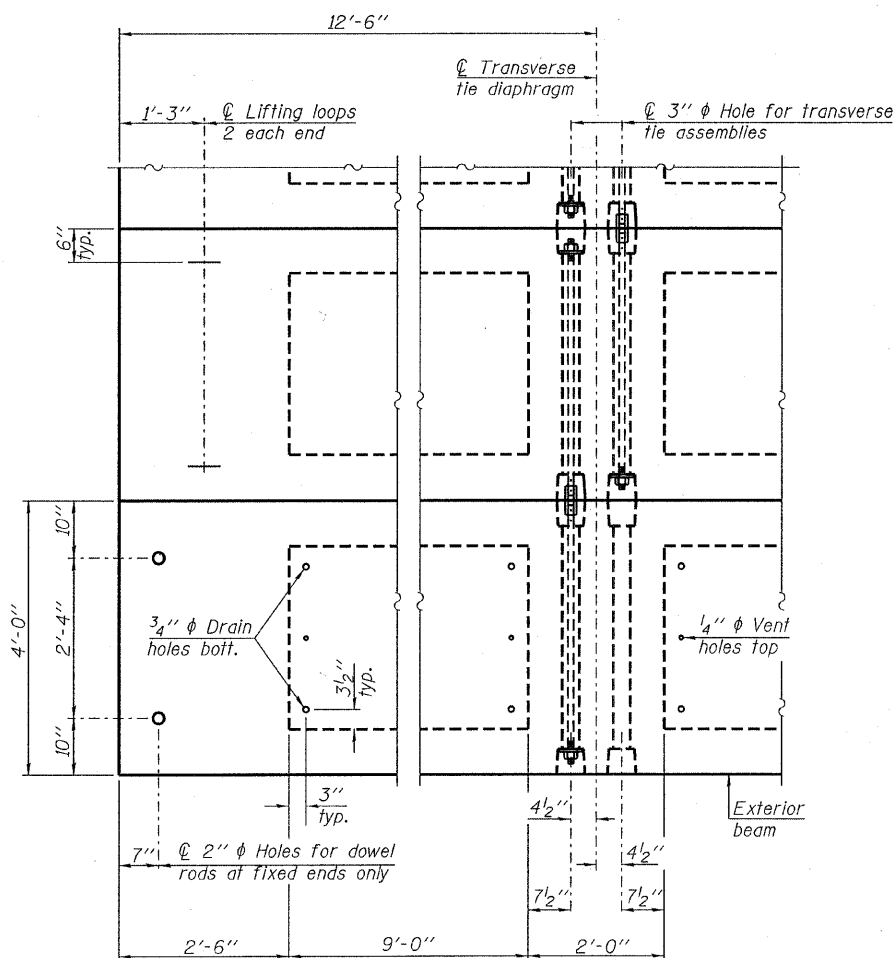
BAR U1(E)



LIFTING LOOP DETAIL

BILL OF MATERIAL

Precast Prestressed Conc. Deck Bms. (17" depth)	Sq. Ft.	1,800



PLAN VIEW

Note: Connect beams in pairs with the transverse tie configuration shown.

NOTES

- Prestressing steel shall be uncoated high strength, low relaxation 7-wire strand, Grade 270. The nominal diameter shall be 1/2" and the nominal cross-sectional area shall be 0.153 sq. in.
- The 1" rods in the transverse tie assembly shall be tightened to a snug fit and the threads set. Pockets on exterior faces of bridge shall be filled with grout after transverse tie assembly is in place.
- Reinforcement bars shall conform to ASTM A 706, Grade 60. (See Special Provisions).
- Two 1/8" fabric adjusting shims of the dimensions of the exterior bearing pad shall be provided for each bearing pad location.
- A minimum 2 1/2" diameter lifting pin shall be used to engage the lifting loops during handling.
- Corrosion Inhibitor, per Article 1020.05(b)(12) and 1021.06 of the Standard Specifications, shall be used in the concrete for precast prestressed concrete deck beams.
- Compressive strength of prestressed concrete, f'c, shall be 6000 psi.
- Compressive strength of prestressed concrete at release, f'ci, shall be 5000 psi.

DESIGNED - A.S.L.
CHECKED - S.W.M.
DRAWN - D.T.M.
CHECKED - D.A.B.

PD-1748-0D

10-1-08

HAMPTON, LENZINI AND RENWICK, INC.
 CIVIL ENGINEERS - STRUCTURAL ENGINEERS - LAND SURVEYORS
 3085 STEVENSON DRIVE, SUITE 201
 SPRINGFIELD, ILLINOIS 62703
 217.546.3400 www.hlrengr.com

184.000959
 ILLINOIS PROFESSIONAL DESIGN FIRM LS / PE / SE CORPORATION
 PROJECT NUMBER: 09.0060.130 DATE: 06/22/09

SHEET NO. 3
 10 SHEETS

T.R.	SECTION	COUNTY	TOTAL SHEETS	SHEET NO.
622	08-15143-00-BR	WAYNE	14	7
LEECH ROAD DISTRICT		CONTRACT NO. 95607		
FED. ROAD DIST. NO.	ILLINOIS	FED. AID PROJECT		

SUPERSTRUCTURE
17" X 48" PPC DECK BEAM DETAILS
STRUCTURE NO. 096-345I