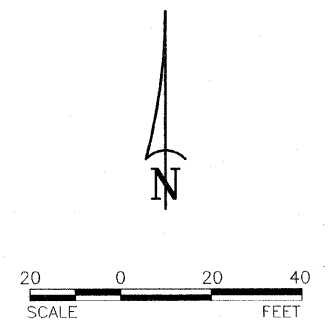
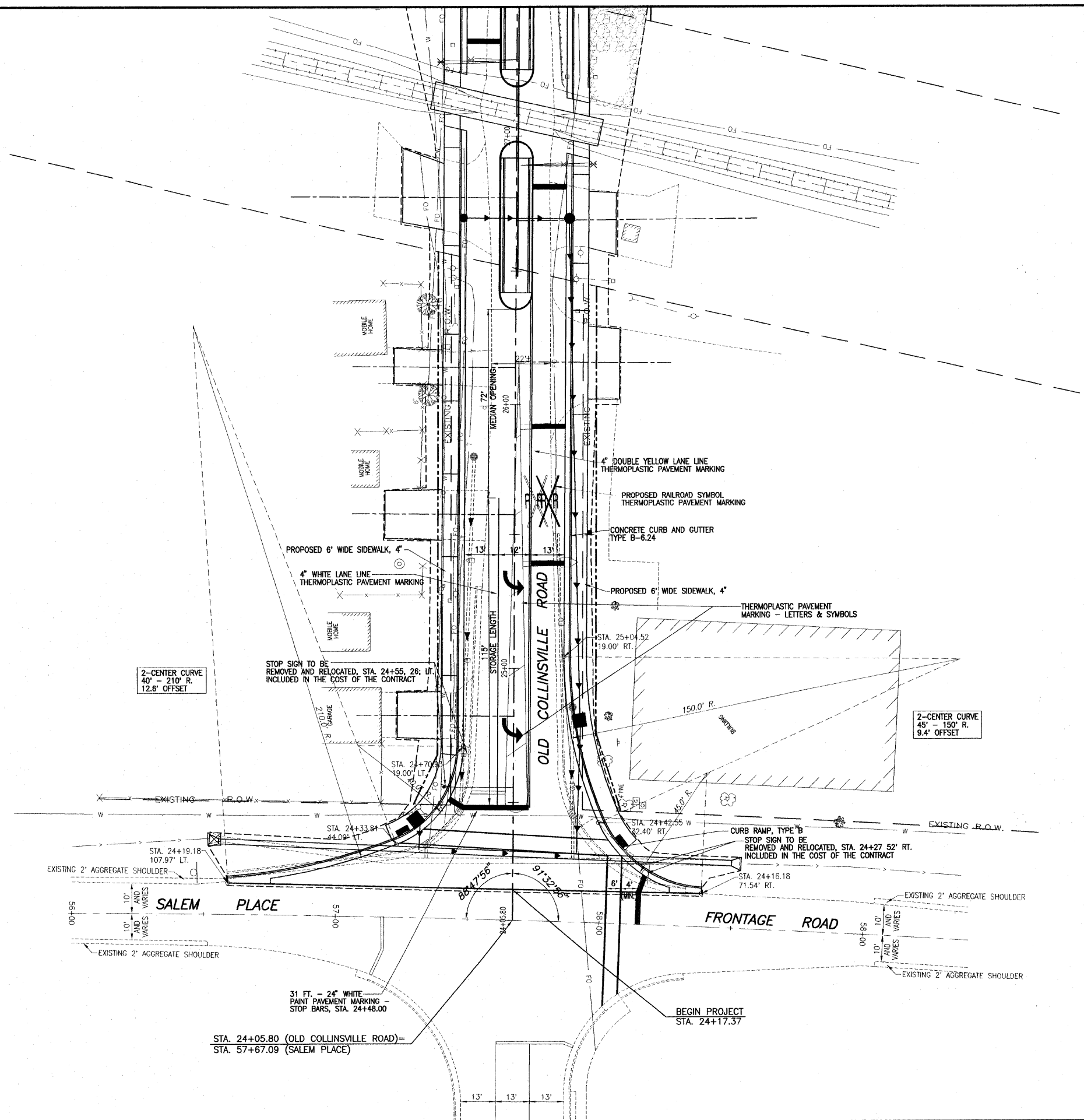


|                     |                                  |                |               |              |
|---------------------|----------------------------------|----------------|---------------|--------------|
| F.A.U. ROUTE        | SECTION                          | COUNTY         | TOTAL SHEETS  | SHEET NUMBER |
| 9168                | 05-00035-00-FP<br>05-00056-00-FP | ST. CLAIR      | 60            | 33           |
| STA 24+17.37        |                                  | TO             | STA. 79+10.00 |              |
| FEDERAL AID PROJECT |                                  | CONTRACT 97360 |               |              |

PAVEMENT EDGE ELEVATIONS WITH OFFSETS

| STATION      | ELEVATION | OFFSET | PAVEMENT CROSS SLOPE |
|--------------|-----------|--------|----------------------|
| 24+64L       | 566.07    | 19.6'  | -1.50%               |
| 24+60L       | 566.02    | 20.5'  | -1.34%               |
| 24+50L       | 565.99    | 24.9'  | -0.94%               |
| 24+40L       | 565.94    | 33.6'  | -0.54%               |
| 24+30L       | 565.95    | 54.4'  | -0.14%               |
| 24+26.2R     | 565.31    | 45.1'  | -1.50%               |
| 24+20L       | 566.19    | 98.9'  | +0.26%               |
| 24+20R       | 565.24    | 55.15' | -1.25%               |
| PWMT. STUB L | 566.23    | 108.0' | MATCH EXISTING       |
| PWMT. STUB R | 564.76    | 71.5'  | MATCH EXISTING       |



INTERSECTION DETAIL OLD COLLINSVILLE ROAD IMPROVEMENTS  
SECTION 05-00035-00-FP & 05-00056-00-FP ST. CLAIR COUNTY, ILLINOIS

E:\1035 - Old Collinsville Road\1035\_INTERSECTION DETAIL.dwg, 4/10/2013 1:54:45 PM, P:\K...M.A.L.