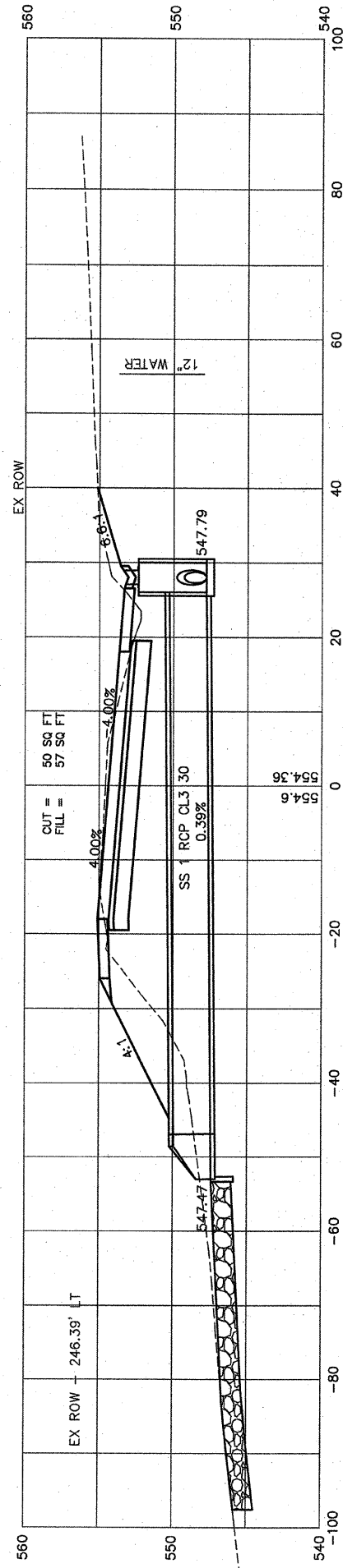


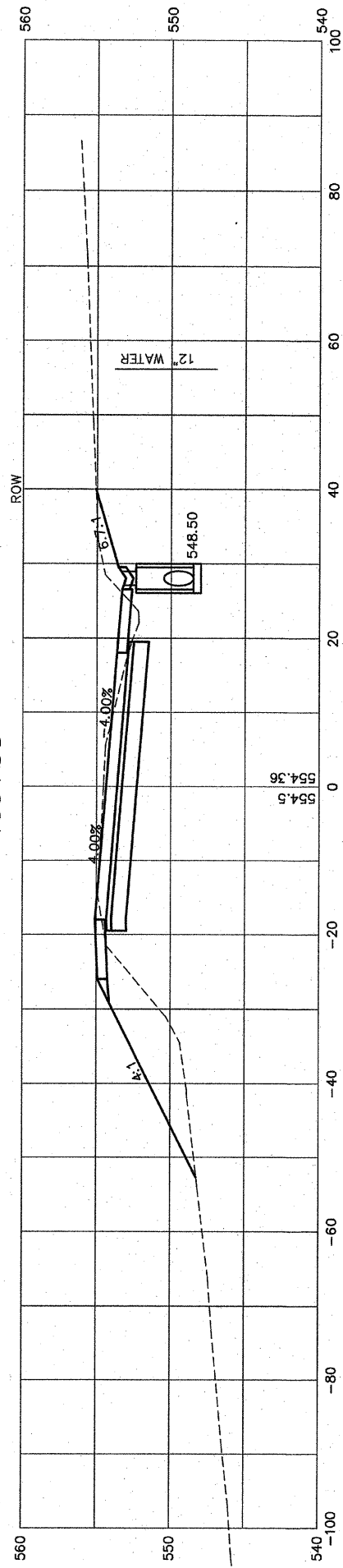
ORIGINAL SURVEYED	BY	DATE
SURVEY		
NOTE BOOK		
AREA		
AREAS CHECKED		
NO.		

FINAL SURVEYED	BY	DATE
SURVEY		
NOTE BOOK		
AREA		
AREAS CHECKED		
NO.		

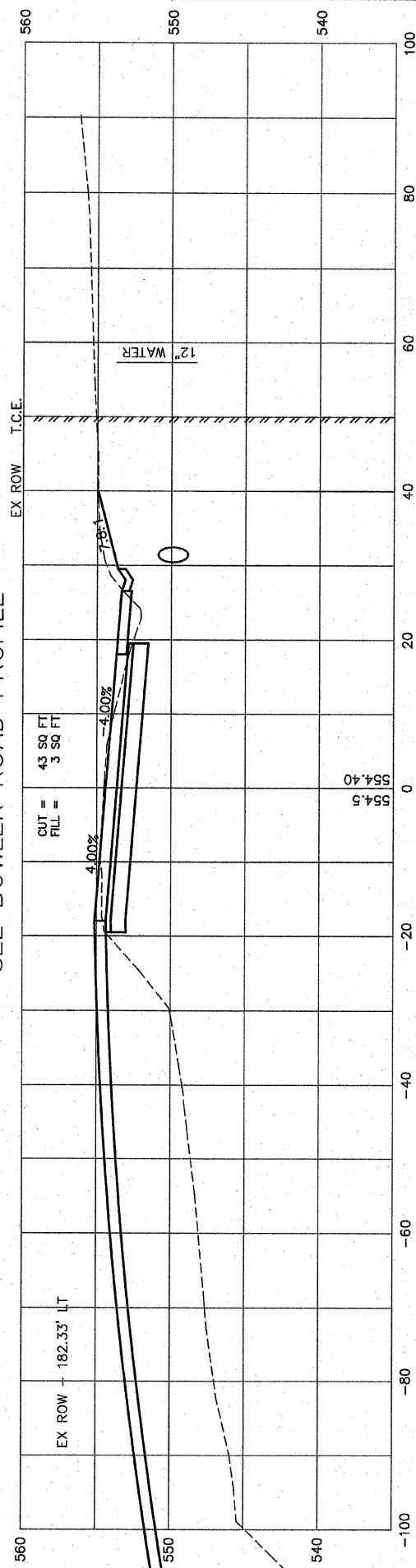
135+50



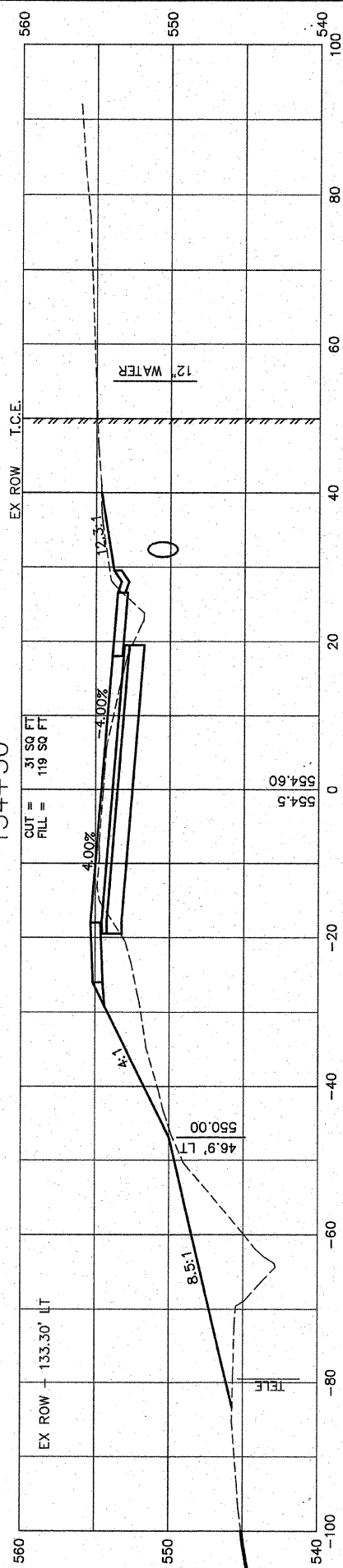
135+38



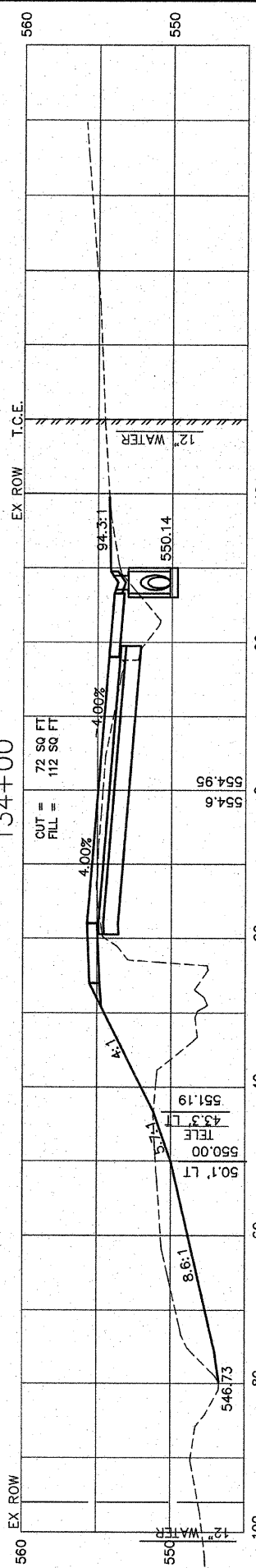
135+00
SEE BOWLER ROAD PROFILE



134+50



134+00



F.A.U. RTE.	SECTION	COUNTY	TOTAL SHEETS	SHEET NO.
9256	99-0179-00-RP	ST. CLAIR	144	94
STA.	134+00	TO STA.	135+50	
FED. ROAD DIST. NO.	ILLINOIS	FED. AID PROJECT		
CONTRACT NO: 97418				