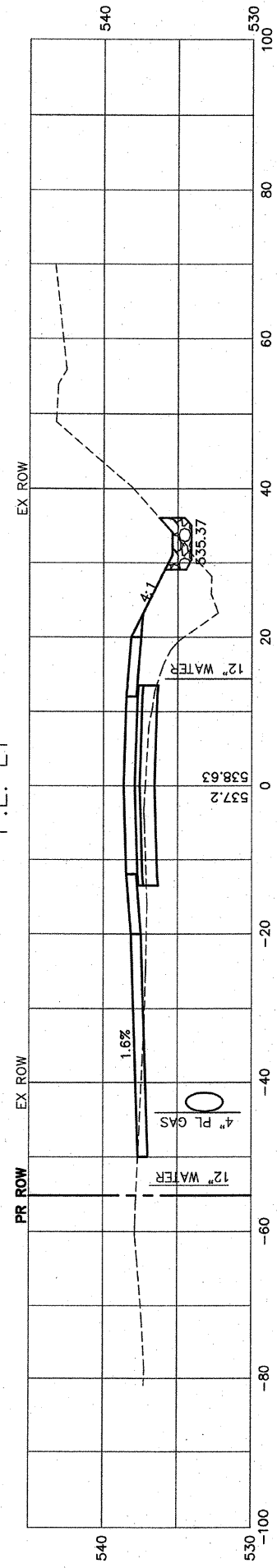


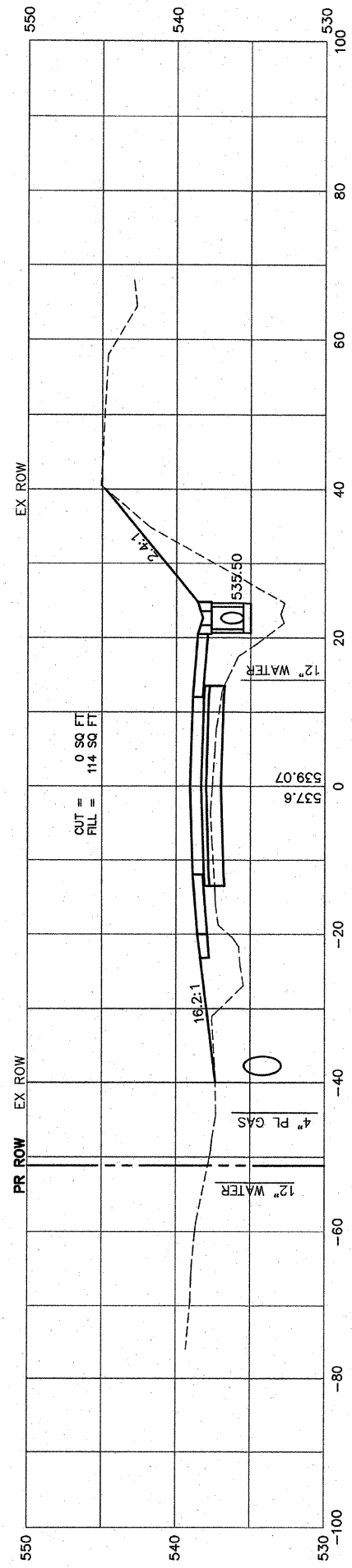
FINAL SURVEYED	BY	DATE
SURVEY PLOTTED		
NOTE BOOK		
REVISIONS		
AREAS CHECKED		
NO.		

ORIGINAL SURVEYED	BY	DATE
SURVEY PLOTTED		
NOTE BOOK		
REVISIONS		
AREAS CHECKED		
NO.		

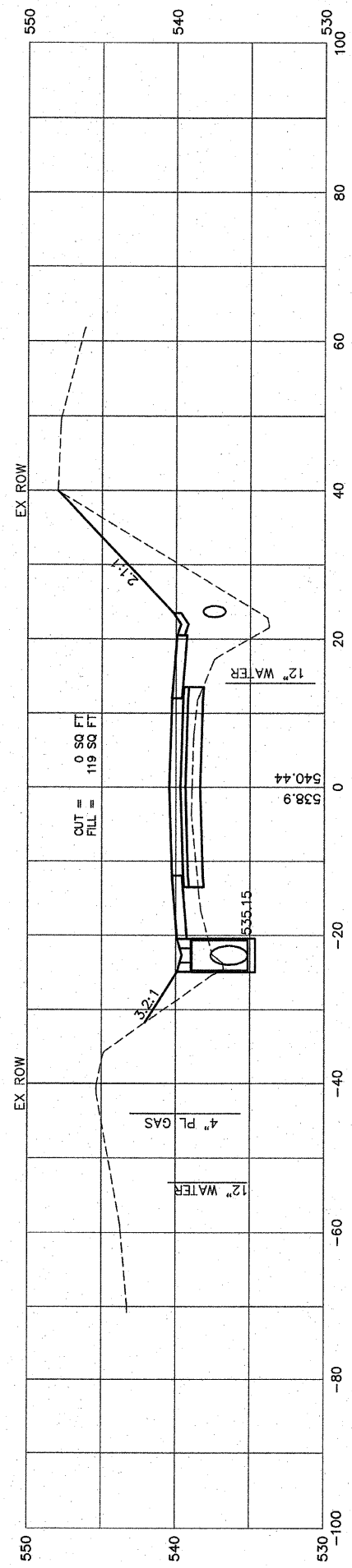
155+18
P.E. LT



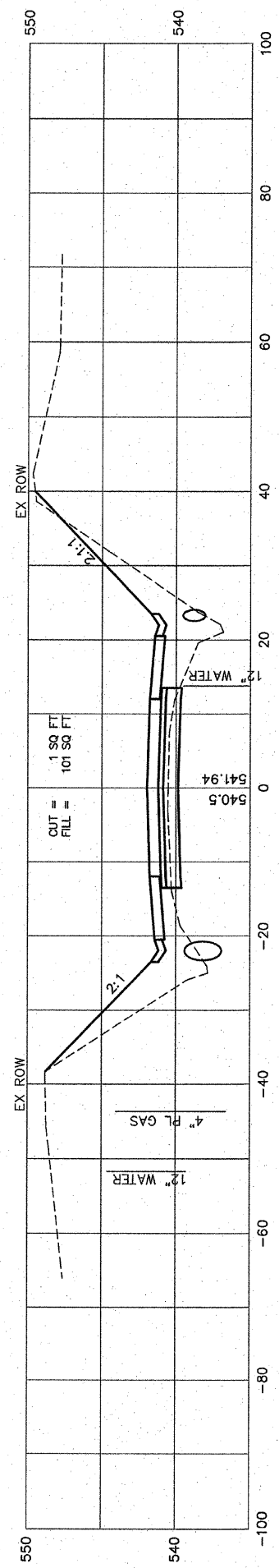
155+00



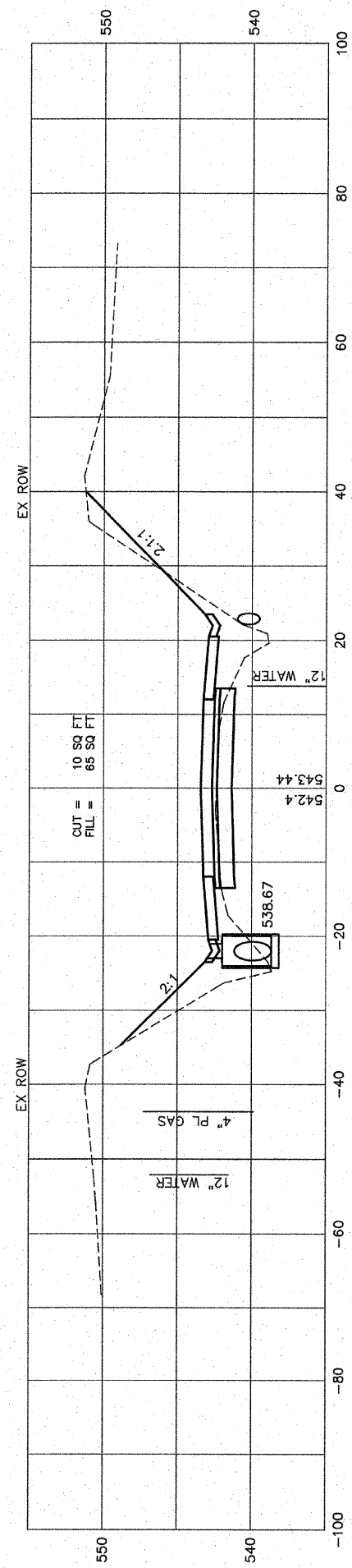
154+50



154+00



153+50



F.A.U. RTE.	SECTION	COUNTY	TOTAL SHEETS	SHEET NO.
9256	99-0179-00-RP	ST. CLAIR	144	102
STA.	153+50	TO STA.	155+18	
FED. ROAD DIST. NO.	ILLINOIS	FED. AID PROJECT		
CONTRACT NO: 97418				