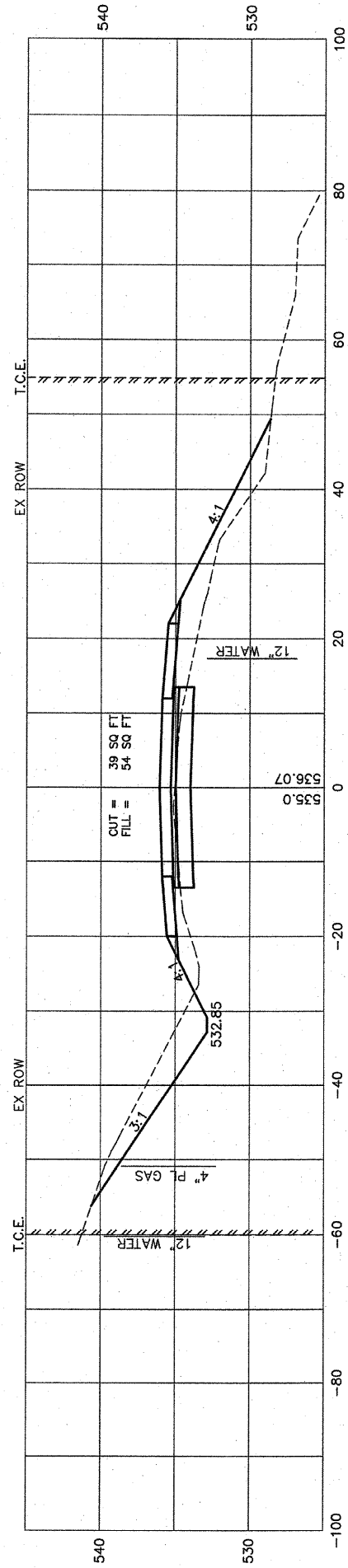


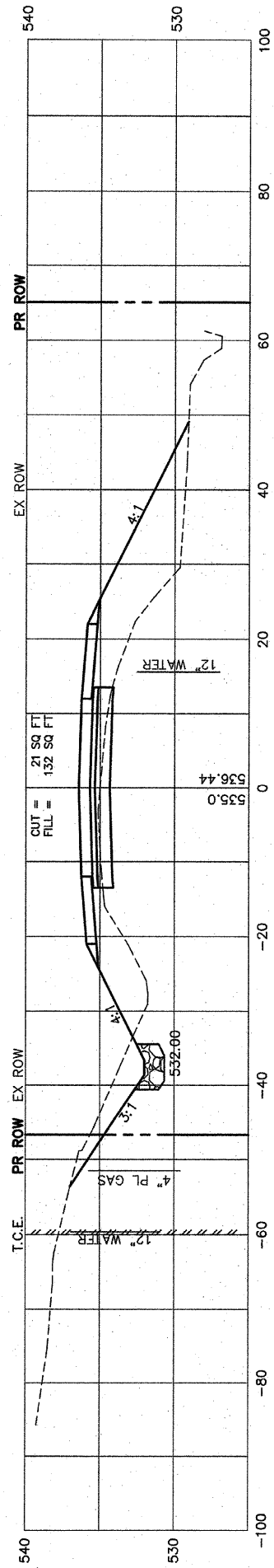
ORIGINAL SURVEY PLOTTED	BY	DATE
NOTE BOOK		
AREAS CHECKED		
AREAS CHECKED		
NO.		

FINAL SURVEY PLOTTED	BY	DATE
NOTE BOOK		
AREAS CHECKED		
AREAS CHECKED		
NO.		

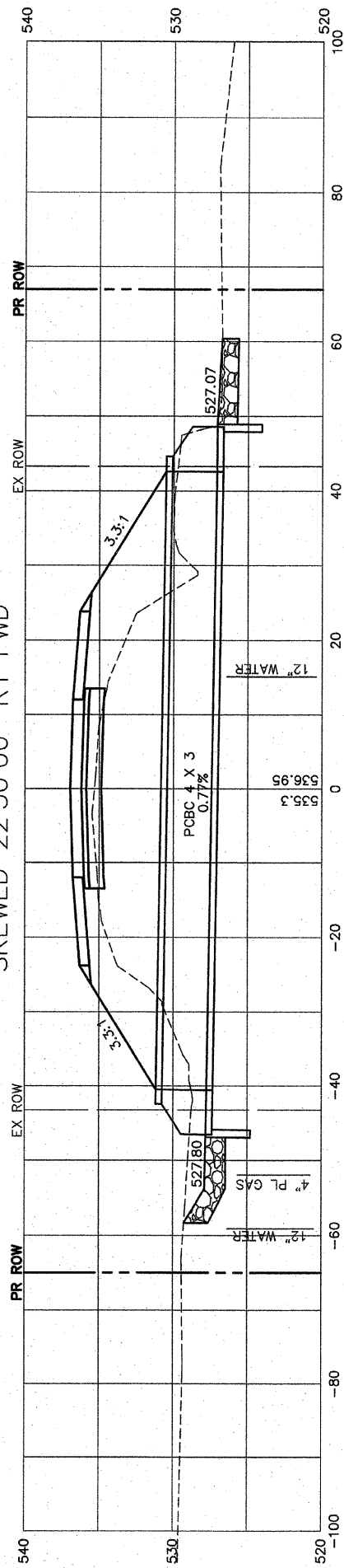
157+00



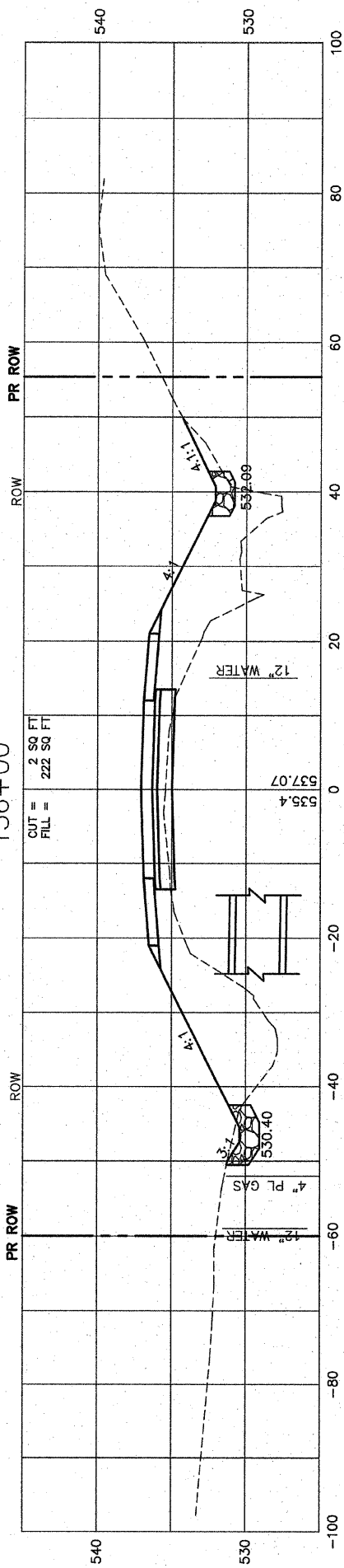
156+50



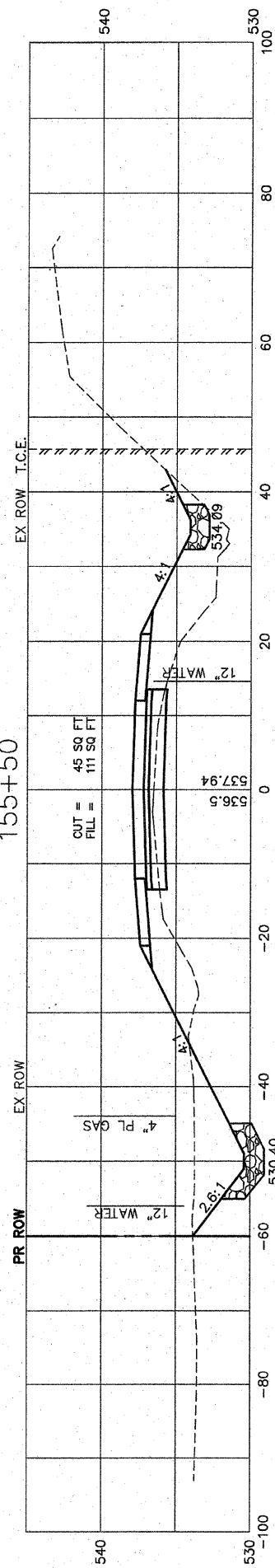
156+08  
SKEWED 22°30'00" RT FWD



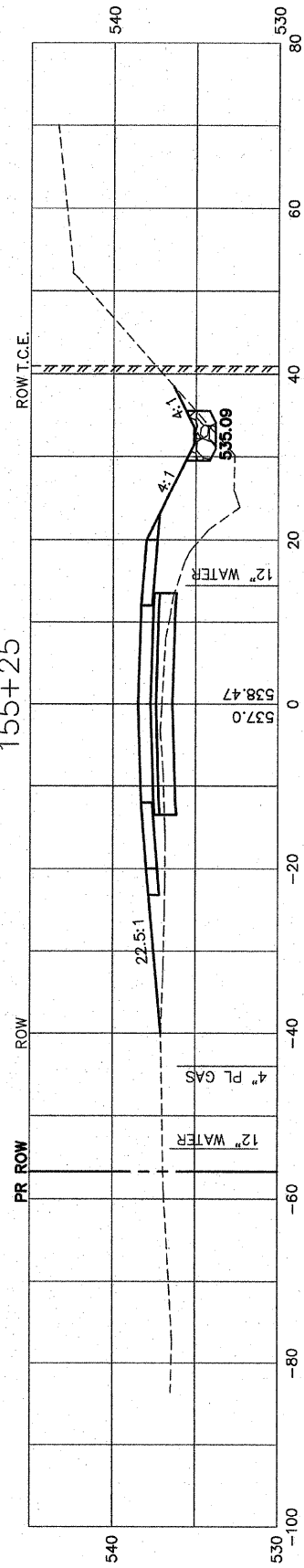
156+00



155+50



155+25



F.A.U. RTE.	SECTION	COUNTY	TOTAL SHEETS	SHEET NO.
9256	99-0179-00-RP	ST. CLAIR	144	103
STA.	155+25	TO STA.	157+00	
FED. ROAD DIST. NO.	ILLINOIS	FED. AID PROJECT		

CONTRACT NO: 97418