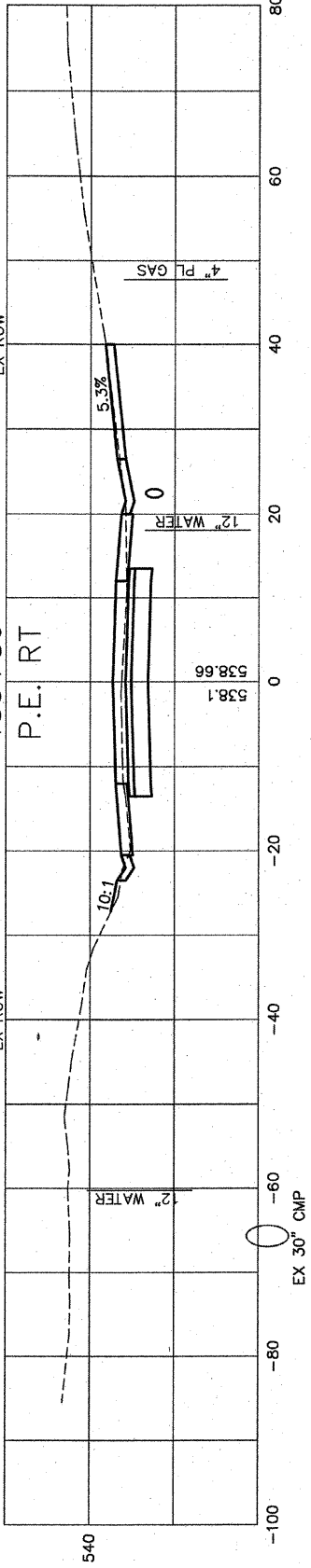


ORIGINAL SURVEY PLOTTED	BY	DATE
NOTE BOOK TEMPLATE		
AREAS CHECKED		
NO.		

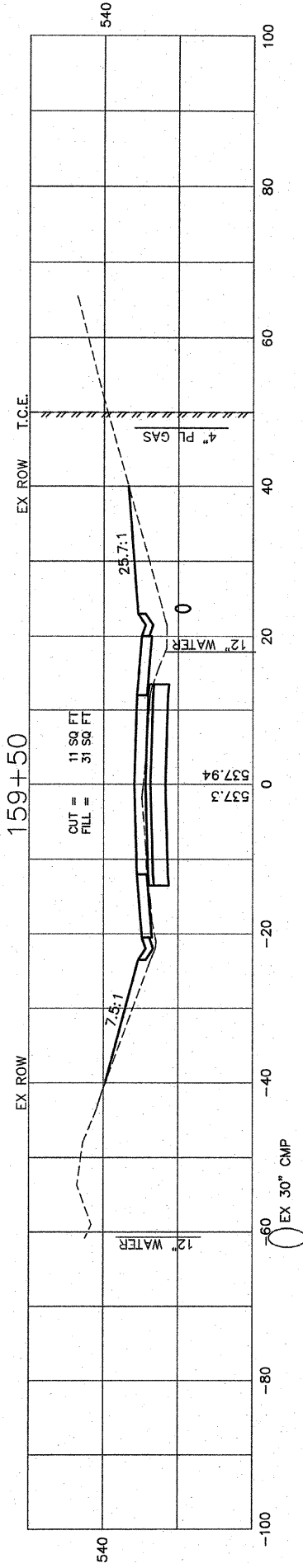
FINAL SURVEYED	BY	DATE
NOTE BOOK TEMPLATE		
AREAS CHECKED		
NO.		

159+86

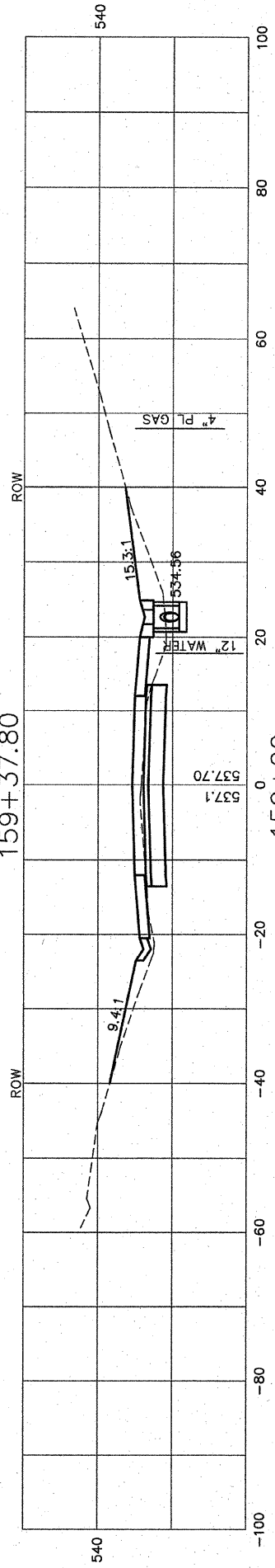


P.E. RT

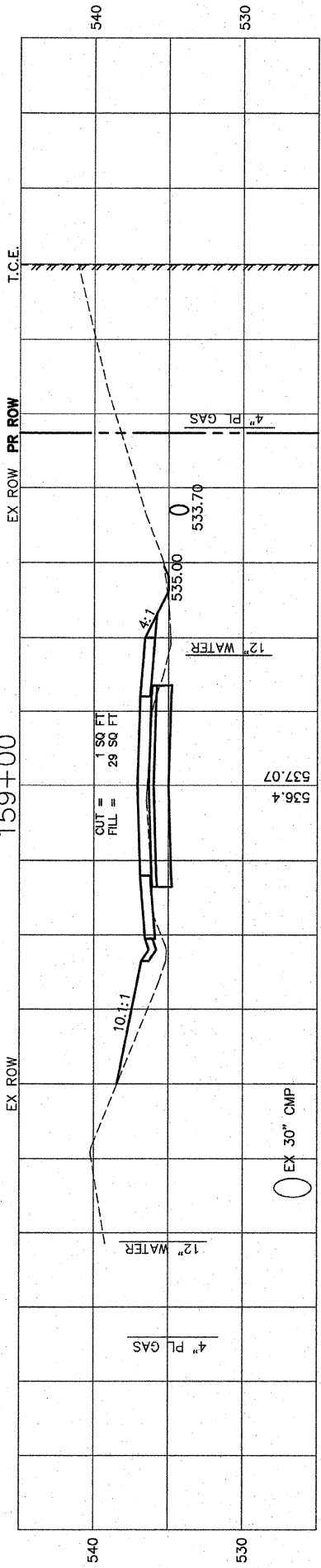
159+50



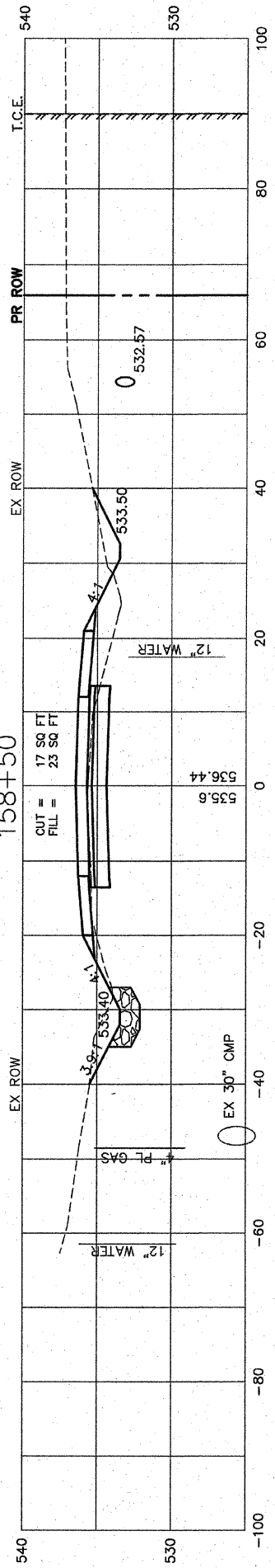
159+37.80



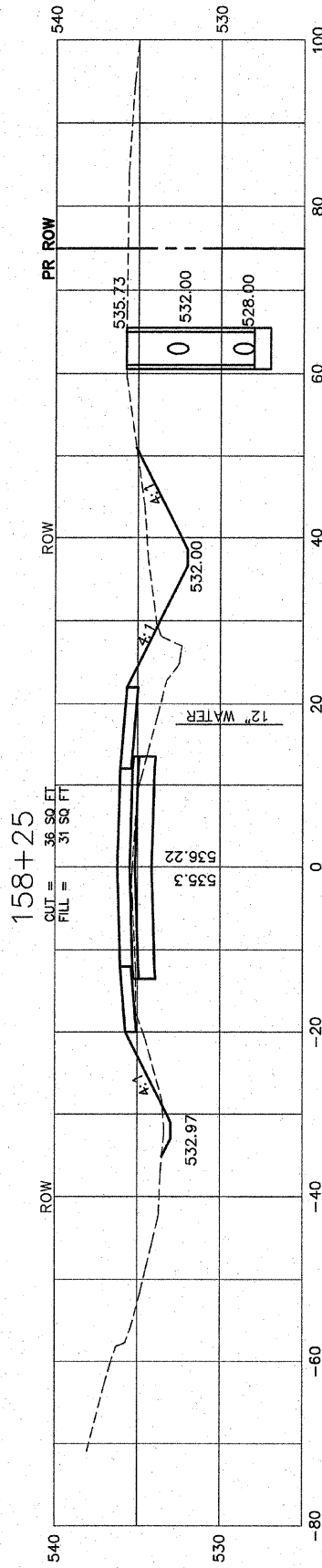
159+00



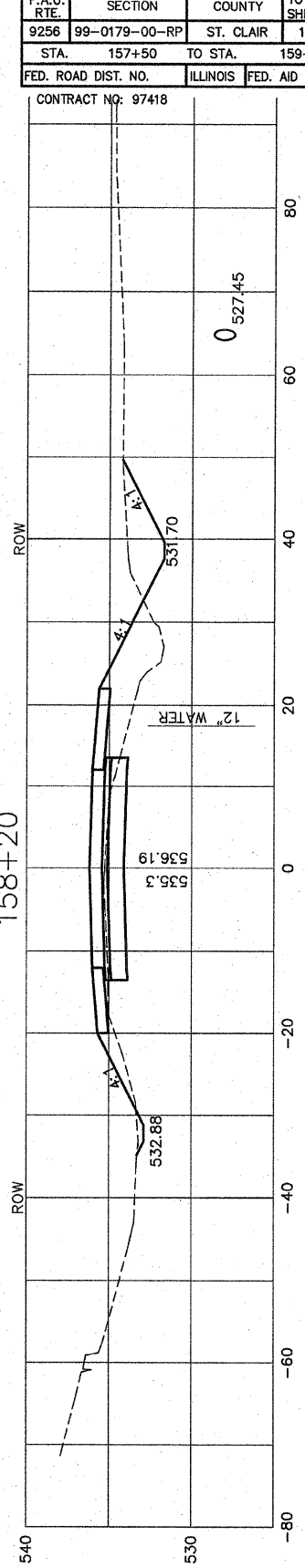
158+50



158+25



158+20



F.A.U. RTE.	SECTION	COUNTY	TOTAL SHEETS	SHEET NO.
9256	99-0179-00-RP	ST. CLAIR	144	105
STA.	157+50	TO STA.	159+50	
FED. ROAD DIST. NO.	ILLINOIS	FED. AID PROJECT		

CONTRACT NO: 97418