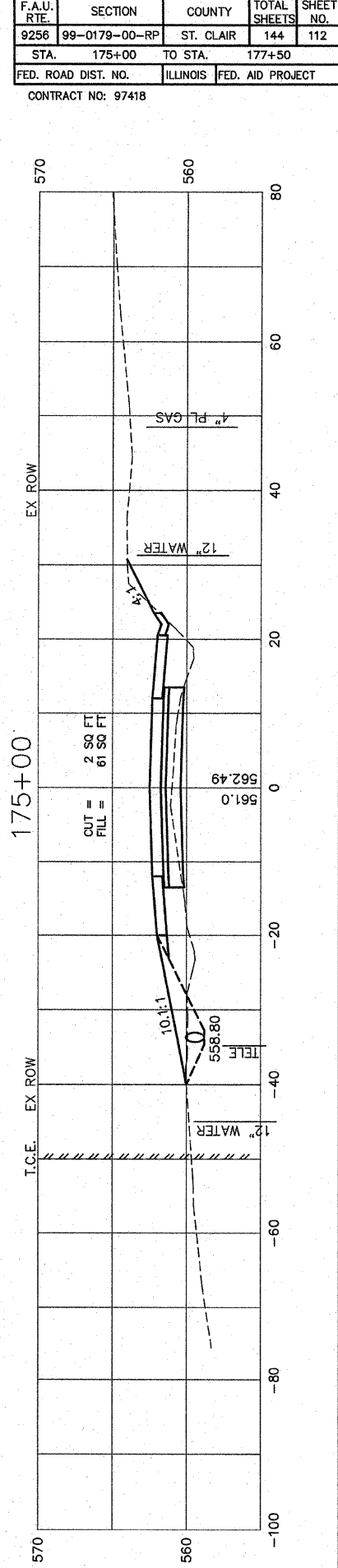
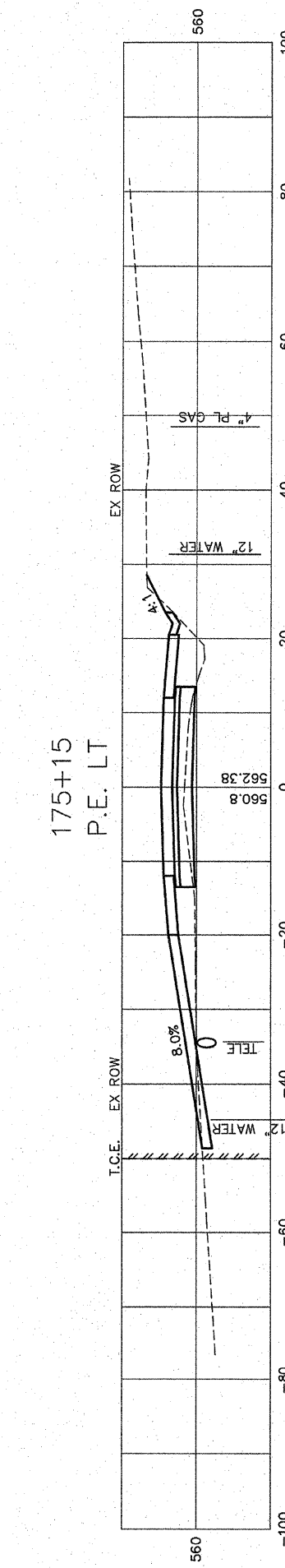
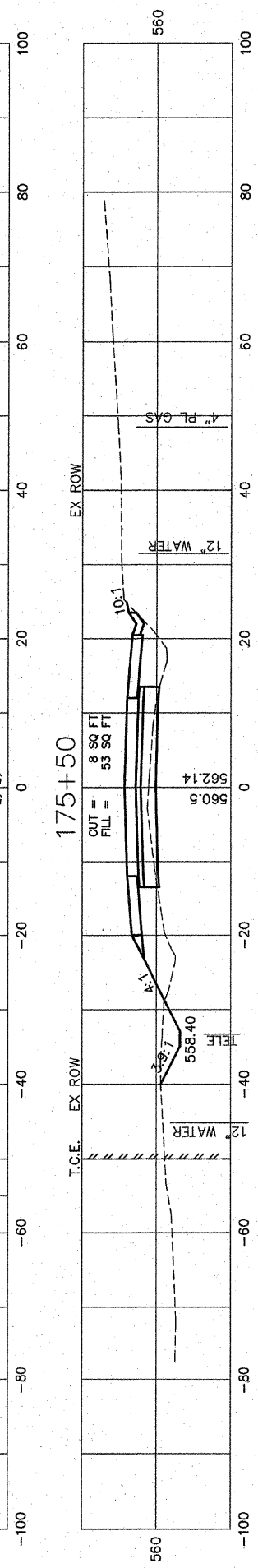
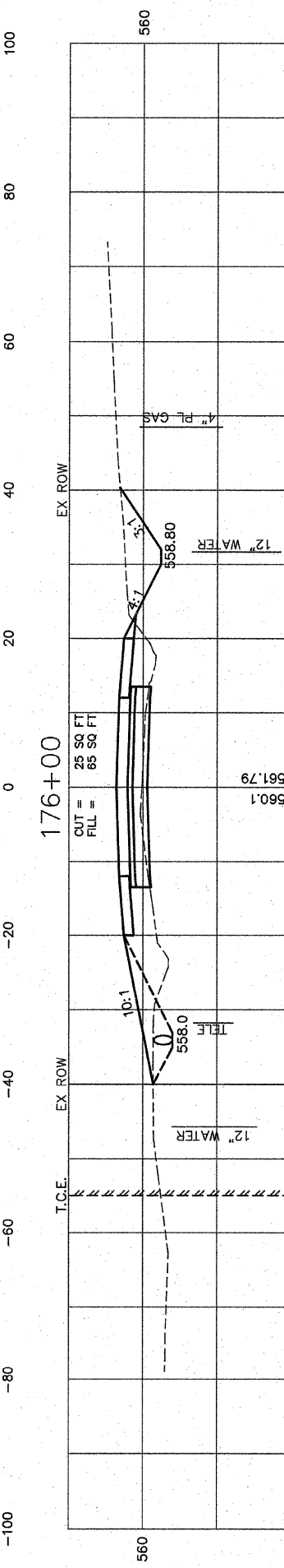
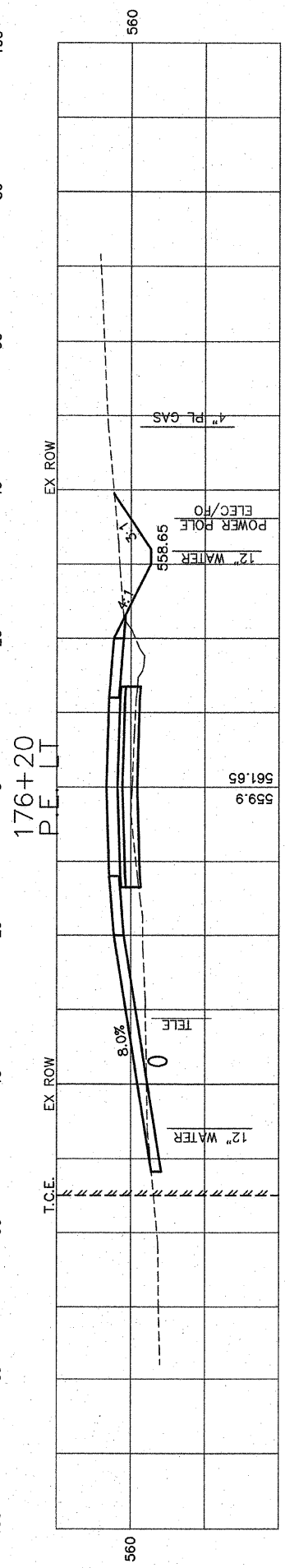
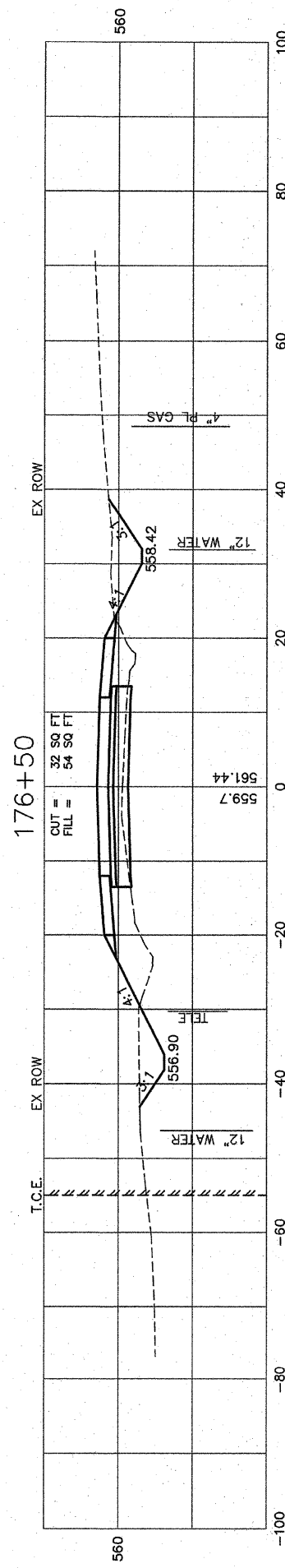
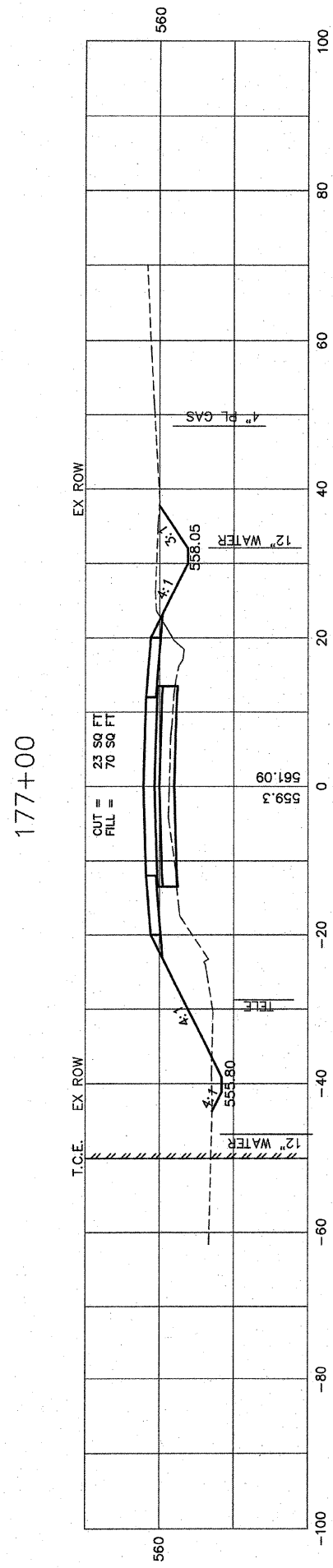
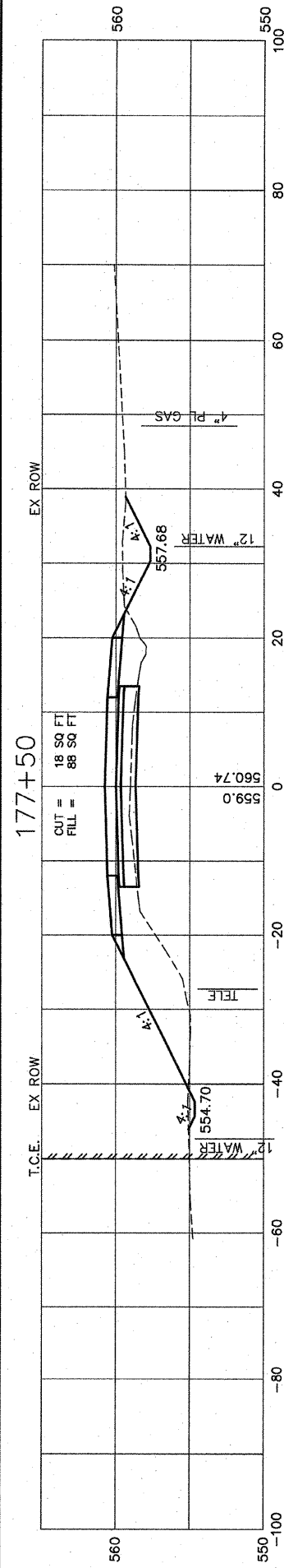


|                    |    |      |
|--------------------|----|------|
| FINAL SURVEYED     | BY | DATE |
| SURVEY PLOTTED     |    |      |
| NOTE BOOK COMPLETE |    |      |
| AREAS CHECKED      |    |      |
| NO.                |    |      |

|                    |    |      |
|--------------------|----|------|
| ORIGINAL SURVEYED  | BY | DATE |
| SURVEY PLOTTED     |    |      |
| NOTE BOOK COMPLETE |    |      |
| AREAS CHECKED      |    |      |
| NO.                |    |      |



|                     |               |                  |              |           |
|---------------------|---------------|------------------|--------------|-----------|
| F.A.U. RTE.         | SECTION       | COUNTY           | TOTAL SHEETS | SHEET NO. |
| 9256                | 99-0179-00-RP | ST. CLAIR        | 144          | 112       |
| STA.                | 175+00        | TO STA.          | 177+50       |           |
| FED. ROAD DIST. NO. | ILLINOIS      | FED. AID PROJECT |              |           |

CONTRACT NO: 97418