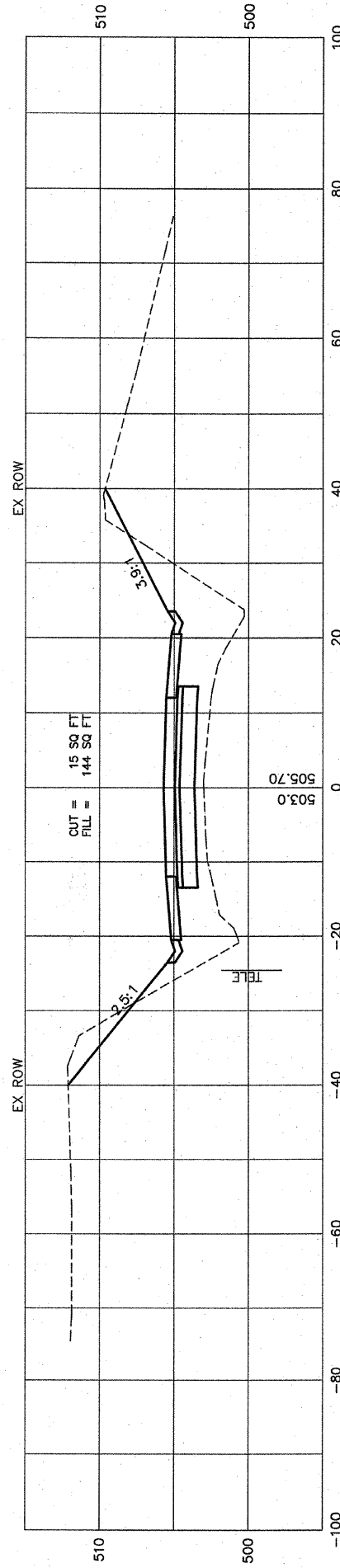


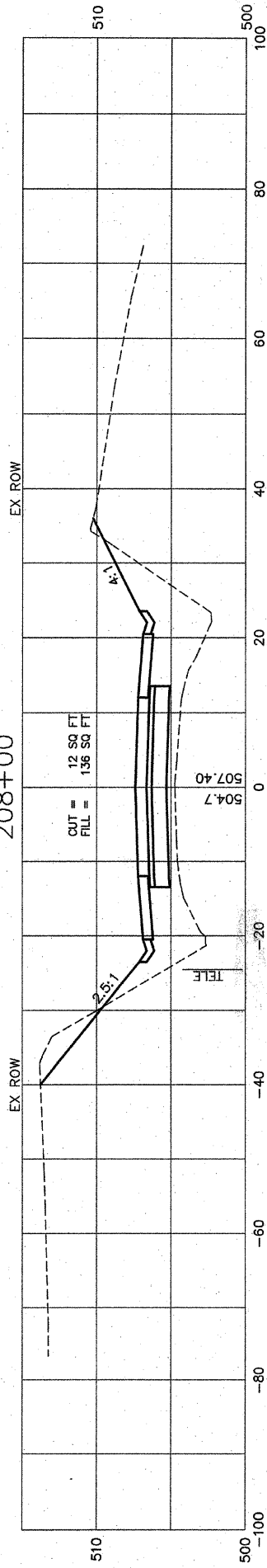
ORIGINAL SURVEY PLOTTED	BY	DATE
NOTE BOOK TEMPLATE AREAS CHECKED		
NO.		

FINAL SURVEY PLOTTED	BY	DATE
NOTE BOOK TEMPLATE AREAS CHECKED		
NO.		

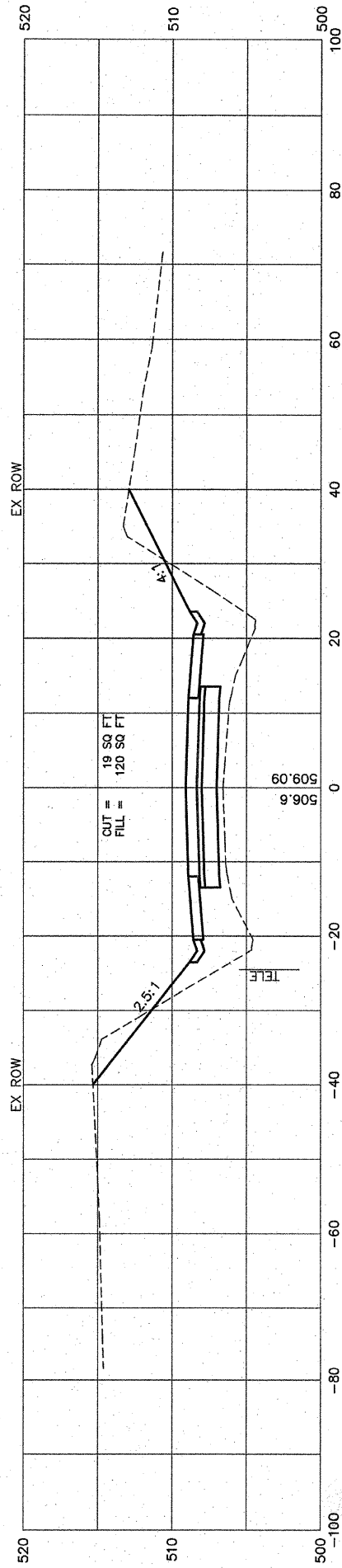
208+50



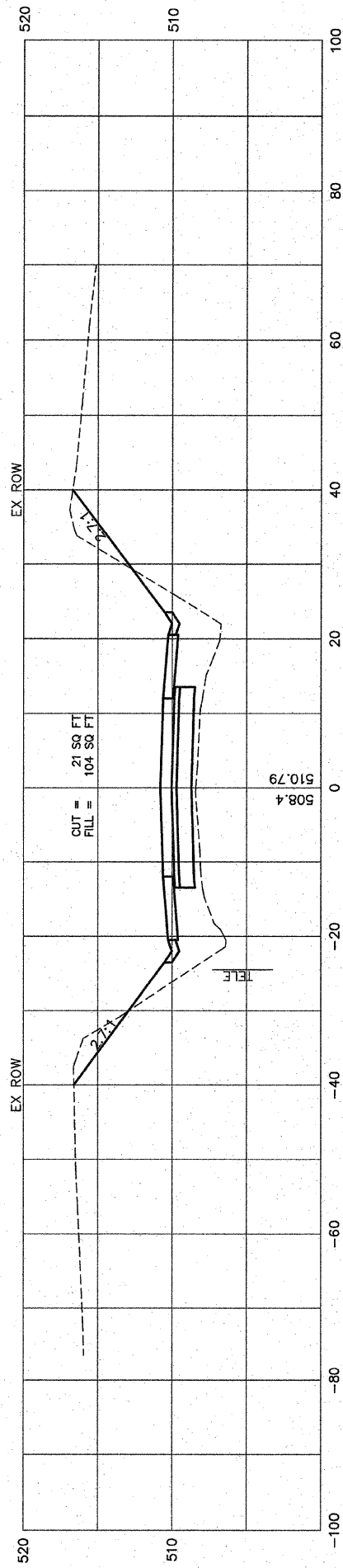
208+00



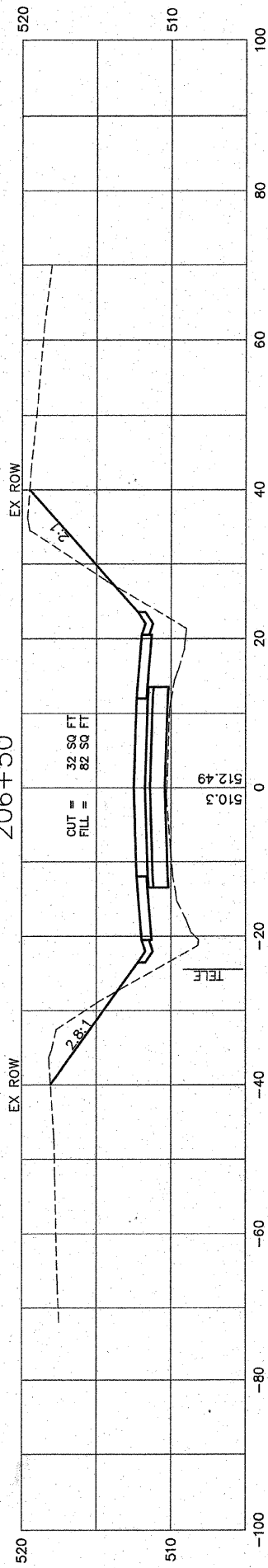
207+50



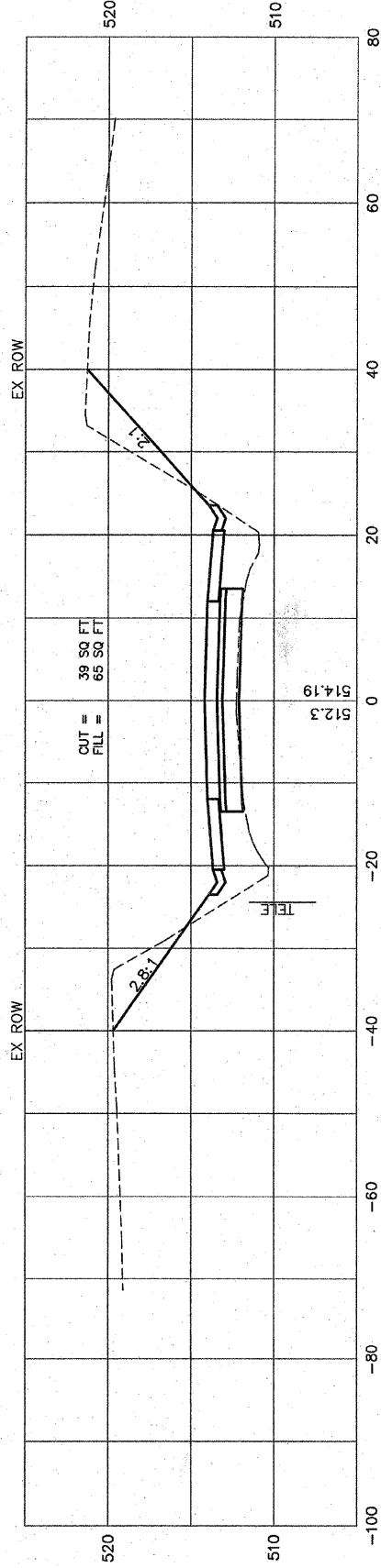
207+00



206+50



206+00



F.A.U. RTE.	SECTION	COUNTY	TOTAL SHEETS	SHEET NO.
9256	99-0179-00-RP	ST. CLAIR	144	124
STA.	208+00	TO STA.	208+50	
FED. ROAD DIST. NO.	ILLINOIS	FED. AID PROJECT		

CONTRACT NO: 97418