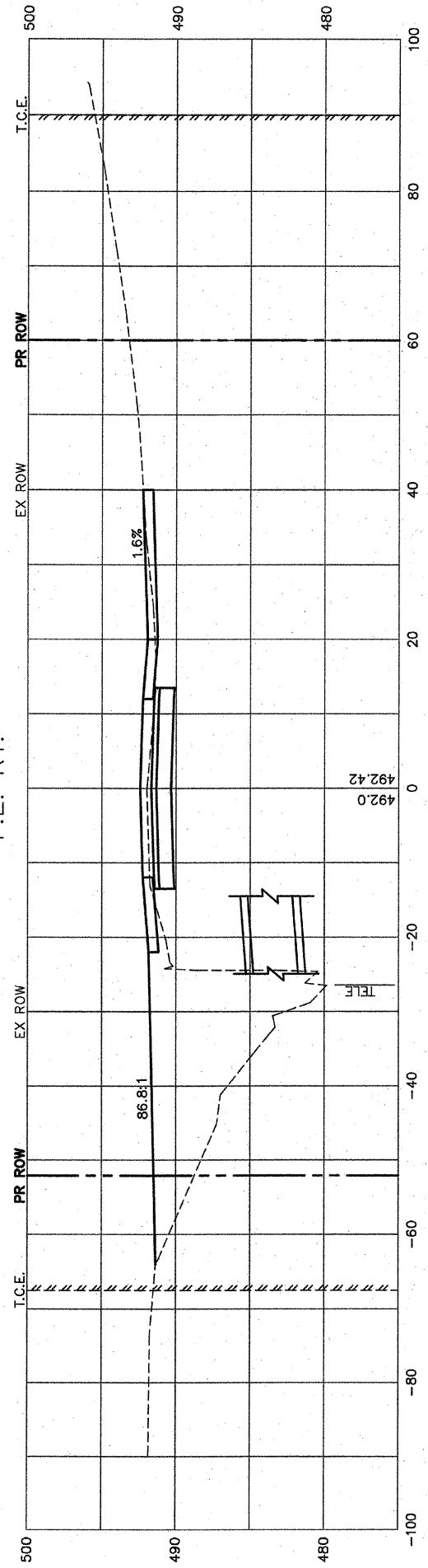


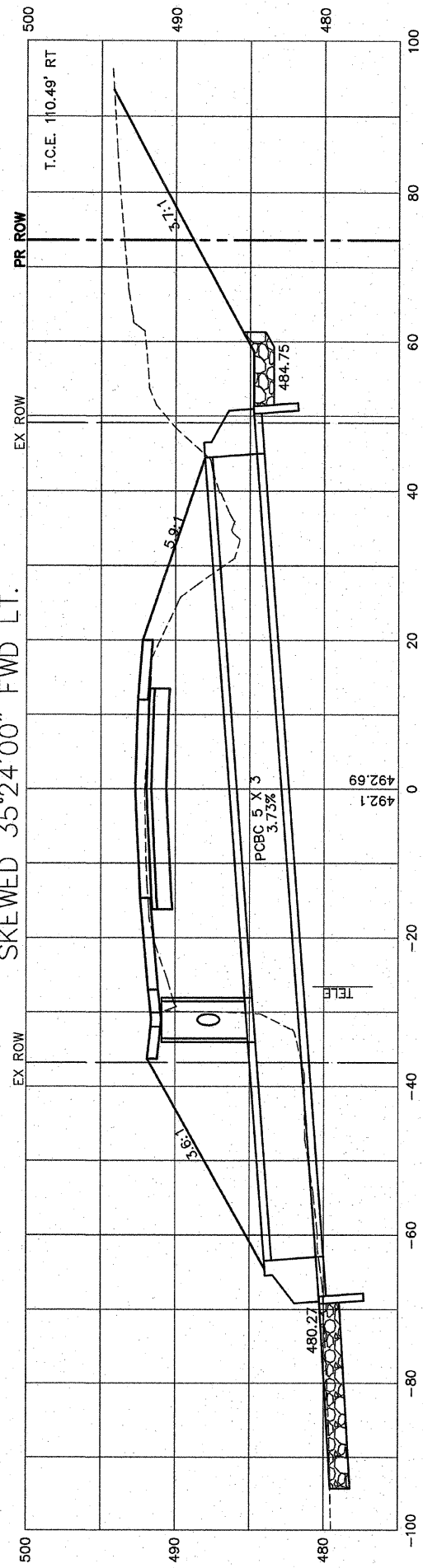
| | | |
|--------------------|----|------|
| FINAL SURVEYED | BY | DATE |
| SURVEY PLOTTED | | |
| NOTE BOOK TEMPLATE | | |
| AREAS CHECKED | | |
| IND. | | |

| | | |
|--------------------|----|------|
| ORIGINAL SURVEYED | BY | DATE |
| SURVEY PLOTTED | | |
| NOTE BOOK TEMPLATE | | |
| AREAS CHECKED | | |
| IND. | | |

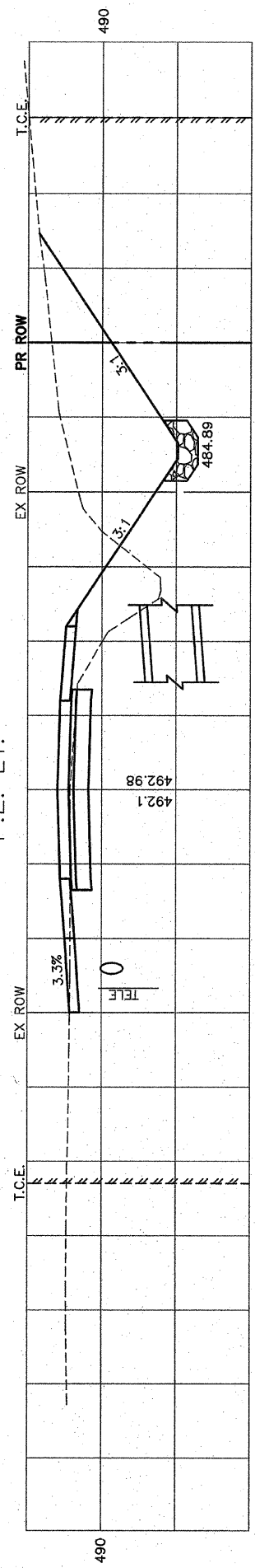
212+89
F.E. RT.



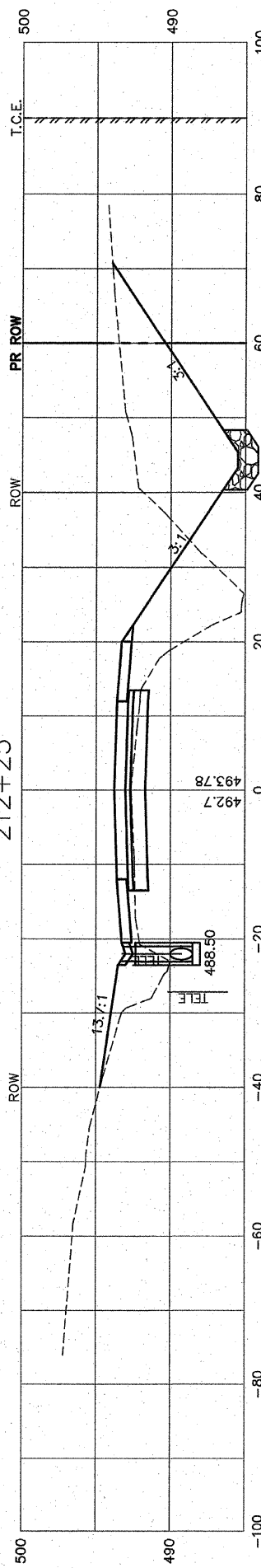
212+75
SKEWED 35°24'00" FWD LT.



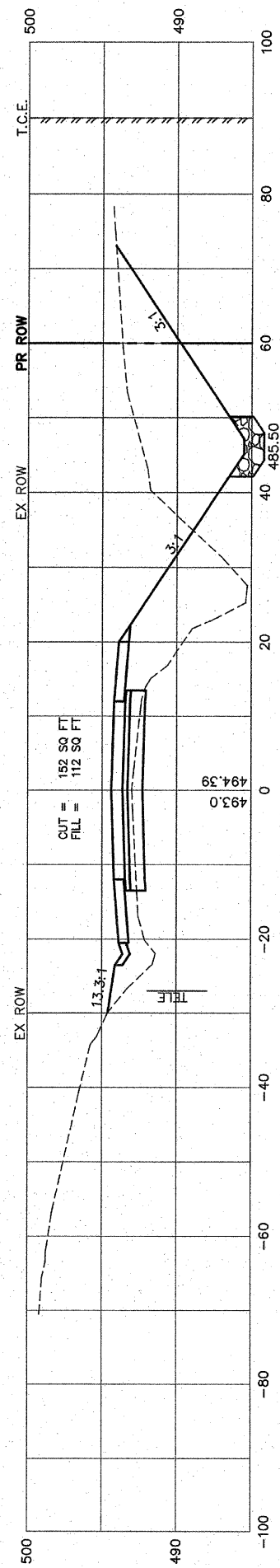
212+61
P.E. LT.



212+25



212+00



| | | | | |
|---------------------|---------------|------------------|--------------|-----------|
| F.A.U. RTE. | SECTION | COUNTY | TOTAL SHEETS | SHEET NO. |
| 9256 | 99-0179-00-RP | ST. CLAIR | 144 | 126 |
| STA. | 212+00 | TO STA. | 212+89 | |
| FED. ROAD DIST. NO. | ILLINOIS | FED. AID PROJECT | | |
| CONTRACT NO: 97418 | | | | |