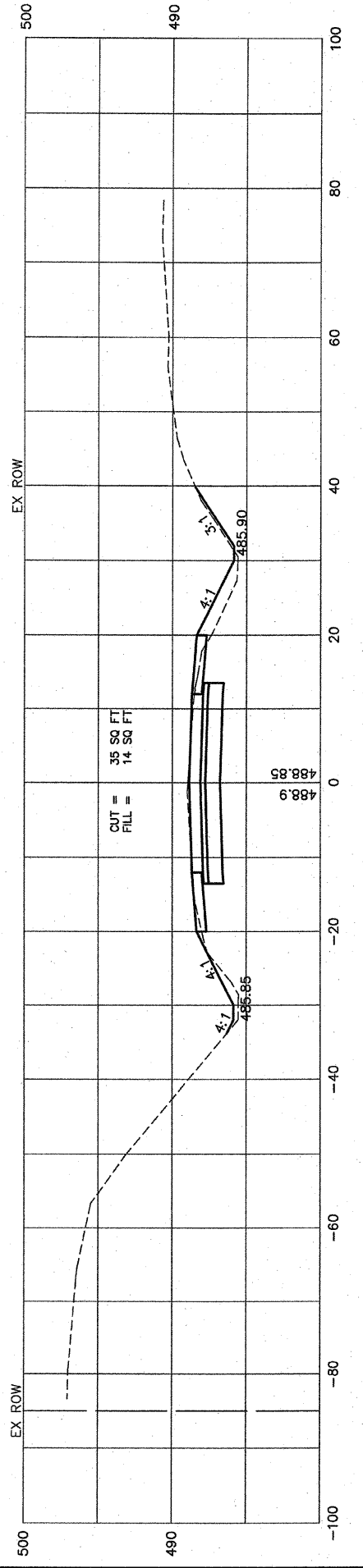


FINAL SURVEYED	BY	DATE
SURVEY PLOTTED		
NOTE BOOK TEMPLATE		
AREAS CHECKED		
NO.		

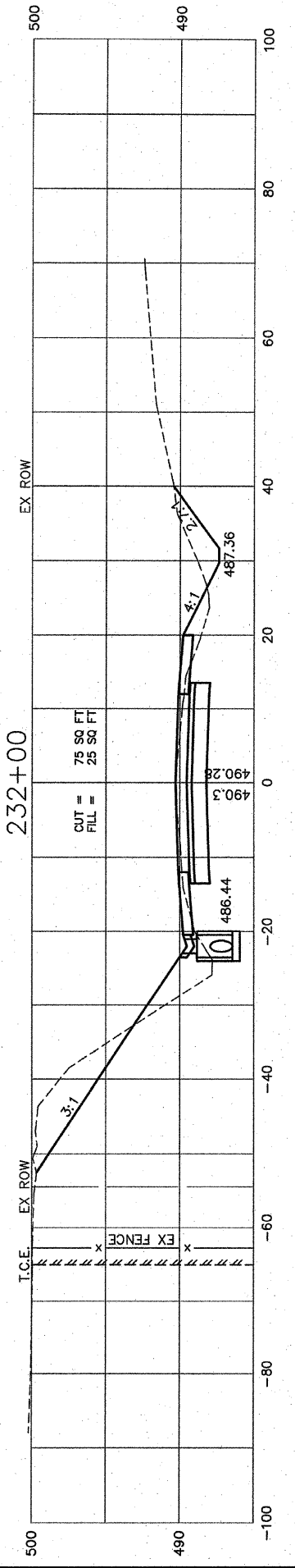
ORIGINAL SURVEYED	BY	DATE
SURVEY PLOTTED		
NOTE BOOK TEMPLATE		
AREAS CHECKED		
NO.		

F.A.U. RTE.	SECTION	COUNTY	TOTAL SHEETS	SHEET NO.
9256	99-0179-00-RP	ST. CLAIR	144	135
STA.	230+50	TO STA.	232+50	
FED. ROAD DIST. NO.	ILLINOIS	FED. AID PROJECT		
CONTRACT NO: 97418				

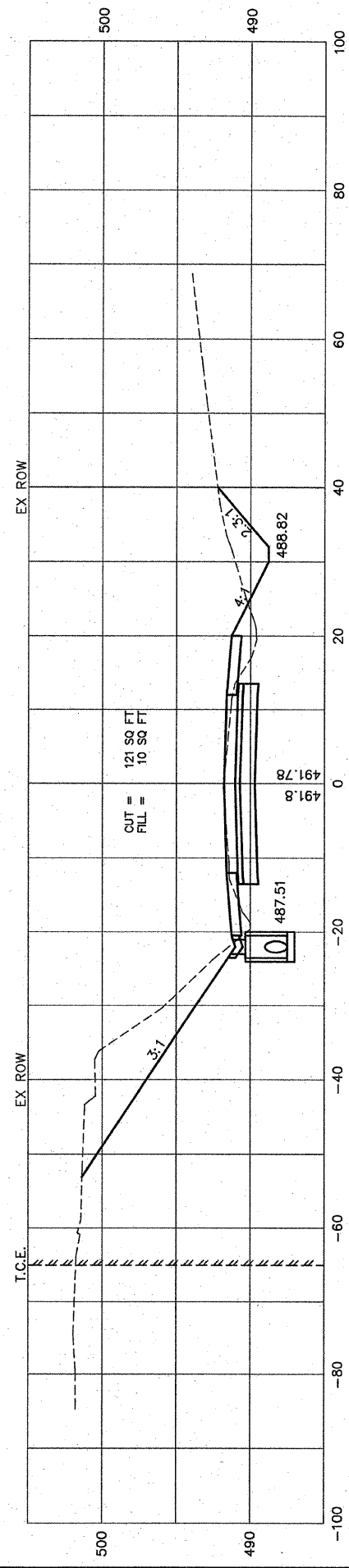
232+50



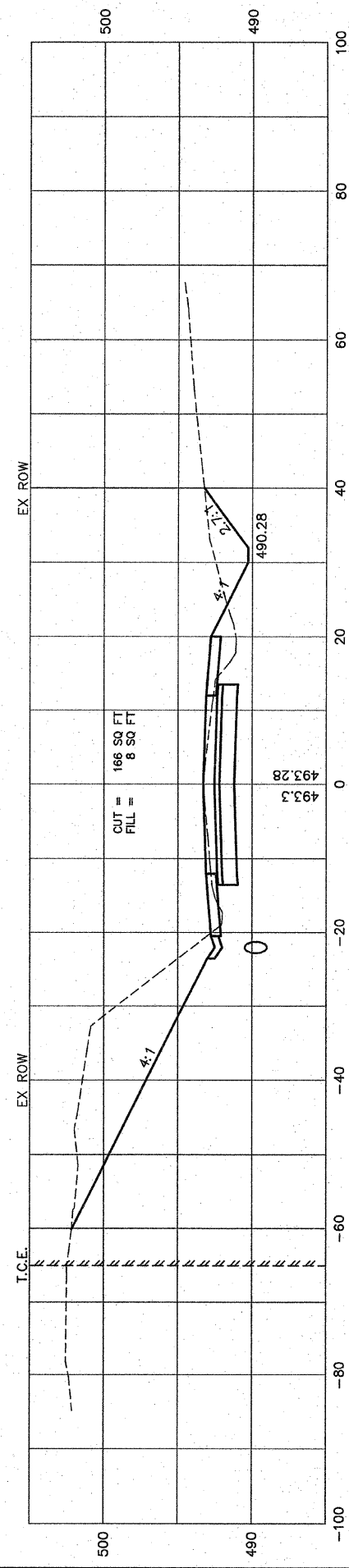
232+00



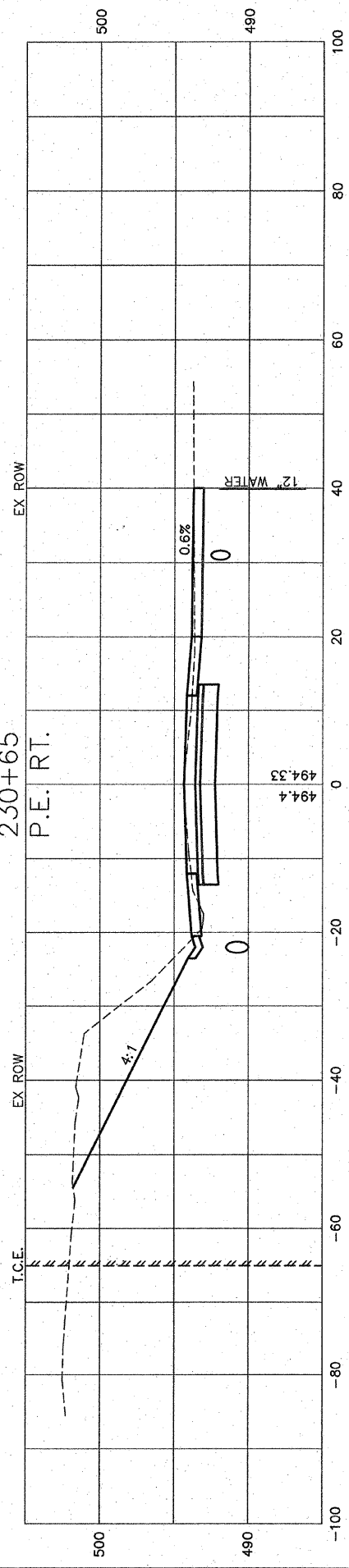
231+50



231+00



230+65
P.E. RT.



230+50

